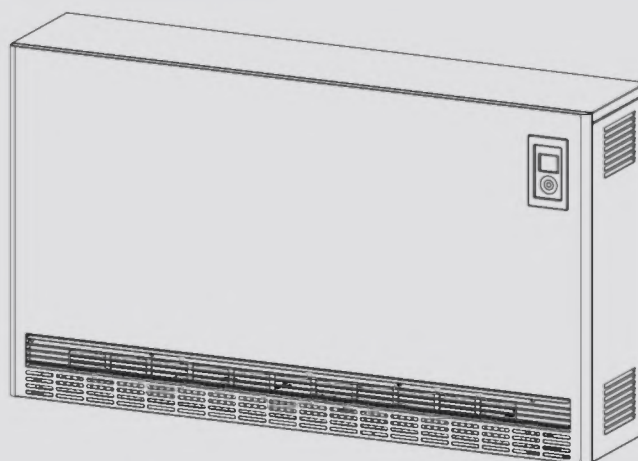


OPERATION AND INSTALLATION
UTILISATION ET INSTALLATION
BEDIENING EN INSTALLATIE
OBSLUHA A INSTALACE
OBSLUHA A INŠTALÁCIA
OBSŁUGA I INSTALACJA
KEZELÉS ÉS TELEPÍTÉS

Storage heater | Radiateur à accumulation | Warmteaccumulator | Akumulační
kamna | Akumulačné kachle | Piece akumulacyjne | Hőtároló

- » SHF 2000
- » SHF 3000
- » SHF 4000
- » SHF 5000
- » SHF 6000
- » SHF 7000



STIEBEL ELTRON

CONTENTS

SPECIAL INFORMATION

OPERATION

1. General information	3
1.1 Safety instructions	3
1.2 Other symbols in this documentation	4
1.3 Information on the appliance	4
1.4 Units of measurement	4
2. Safety	4
2.1 Intended use	4
2.2 General safety instructions	4
2.3 Test symbols	5
3. Appliance description	5
4. Operation	5
4.1 Programming unit	5
4.2 Heat storage	6
4.3 Heat transfer	6
5. Settings	7
5.1 Standard display	7
5.2 Standard menu	7
5.3 Configuration menu	7
6. Settings when a wall mounted room temperature controller is present	9
6.1 Standard display	9
6.2 Standard menu	9
6.3 Configuration menu	9
7. Cleaning, care and maintenance	10
7.1 Cleaning the fluff filter	10
8. Troubleshooting	10

INSTALLATION

9. Safety	11
9.1 General safety instructions	11
9.2 Instructions, standards and regulations	11
10. Appliance description	11
10.1 Function	11
10.2 Standard delivery	12
10.3 Accessories	12
11. Preparation	12
11.1 Installation location	12
11.2 Minimum clearances	12
12. Installation	12
12.1 Opening the appliance	12
12.2 Adjusting the charge controller	13
12.3 Power supply / connecting cables	13
12.4 Electrical connection	14
12.5 Installation versions	14
12.6 Inserting storage blocks	14
12.7 Cleaning the appliance	15
12.8 Closing the appliance	15
13. Settings	16
13.1 Configuration menu	16
14. Commissioning	18
14.1 Checks before commissioning	18
14.2 Initial start-up	18

15. Modifying the appliance	18
16. Handover	18
17. Troubleshooting	19
17.1 Fault table	19
17.2 Symbols on the type plate	20
18. Maintenance and cleaning	20
19. Specification	21
19.1 Dimensions and connections	21
19.2 Wiring diagram	22
19.3 Reducing the connected load	23
19.4 Output matching (nominal charge duration)	23
19.5 Reducing connected load while maintaining nominal charge duration of 8 hours	23
19.6 Energy consumption data	24
19.7 Data table	24

GUARANTEE

ENVIRONMENT AND RECYCLING

SPECIAL INFORMATION

- Keep these operating and installation instructions safe so that you can refer to them when necessary.
- Keep children under the age of 3 away from the appliance if constant supervision cannot be guaranteed.
- Children from the age of 3 to 7 may switch the appliance on and off, provided they are supervised or have been instructed in the safe operation of the appliance and understand any risks that may result. This is subject to the appliance having been installed as described. Children from the age of 3 to 7 must not regulate the appliance.
- The appliance may be used by children aged 8 and older and persons with reduced physical, sensory or mental capabilities or a lack of experience and know-how, provided that they are supervised or they have been instructed on how to use the appliance safely and have understood the potential risks.
- Children must never play with the appliance. Children must never clean the appliance or perform user maintenance unless they are supervised.
- Parts of the appliance can get very hot and may cause burns. Particular caution is advised when children or vulnerable persons are present.
- Odours may build up during initial charging. Make sure that the room is adequately ventilated.
- Observe the minimum clearances to adjacent surfaces or other combustible materials (see chapter "Installation / Minimum clearances").
- To prevent the appliance from overheating, never cover it with anything.
- Never place anything on the appliance or very close to it. Do not lean any objects against the appliance.

- Never install the appliance directly below a wall socket.
- Observe the nominal charging values in chapter "Specification / Data table".
- Install the appliance in such a way that the control equipment cannot be touched by a person in the bath or shower.
- The connection to the power supply must be in the form of a permanent connection. Ensure the appliance can be separated from the power supply by an isolator that disconnects all poles with at least 3 mm contact separation.
- Secure the appliance as described in chapter "Installation / Installation".

OPERATION

1. General information

The chapters "Special information" and "Operation" are intended for both users and qualified contractors.

The chapter "Installation" is intended for qualified contractors.



Note

Read these instructions carefully before using the appliance and retain them for future reference. Pass on the instructions to a new user if required.

1.1 Safety instructions

1.1.1 Structure of safety instructions






KEYWORD Type of risk

Here, possible consequences are listed that may result from failure to observe the safety instructions.

► Steps to prevent the risk are listed.

1.1.2 Symbols, type of risk

Symbol	Type of risk
	Injury
	Electrocution
	Burns (burns, scalding)

1.1.3 Keywords



KEYWORD	Meaning
DANGER	Failure to observe this information will result in serious injury or death.
WARNING	Failure to observe this information may result in serious injury or death.
CAUTION	Failure to observe this information may result in non-serious or minor injury.

1.2 Other symbols in this documentation



Note

General information is identified by the adjacent symbol.
► Read these texts carefully.

Symbol	Meaning
	Material losses (appliance damage, consequential losses and environmental pollution)
	Appliance disposal

► This symbol indicates that you have to do something. The action you need to take is described step by step.

1.3 Information on the appliance

Symbol	Meaning
	Never cover the appliance

1.4 Units of measurement



Note

All measurements are given in mm unless stated otherwise.

2. Safety

2.1 Intended use

This appliance is designed to heat living areas.

The appliance is intended for domestic use. It can be used safely by untrained persons. The appliance can also be used in a non-domestic environment, e.g. in a small business, as long as it is used in the same way.

Any other use beyond that described shall be deemed inappropriate. Observation of these instructions and of the instructions for any accessories used is also part of the correct use of this appliance.

2.2 General safety instructions

Observe the following safety instructions and regulations.

- The electrical installation and installation of the appliance must only be carried out by a qualified contractor or by our customer service engineers, in accordance with these instructions.
- The qualified contractor is responsible for adherence to all applicable regulations during installation and commissioning.
- The appliance should only be operated once it is fully installed and all safety equipment has been fitted.



WARNING Injury

- Keep children under the age of 3 away from the appliance if constant supervision cannot be guaranteed.
- Children from the age of 3 to 7 may switch the appliance on and off, provided they are supervised or have been instructed in the safe operation of the appliance and understand any risks that may result. This is subject to the appliance having been installed as described. Children from the age of 3 to 7 must not regulate the appliance.
- The appliance may be used by children aged 8 and older and persons with reduced physical, sensory or mental capabilities or a lack of experience and know-how, provided that they are supervised or they have been instructed on how to use the appliance safely and have understood the potential risks.
- Children must never play with the appliance. Children must never clean the appliance or perform user maintenance unless they are supervised.

Appliance description



WARNING Burns

Never operate this appliance...

- if the distance from adjacent objects or other flammable materials would be less than the minimum permissible distance.
- in rooms where it is at risk of fire or explosion as a result of chemicals, dust, gases or vapours. Ventilate the room sufficiently before heating.
- in the direct proximity of pipes or receptacles that carry or contain flammable or explosive materials.
- if work such as laying tiles, sanding or sealing is being carried out in the installation room.
- if an appliance component is damaged or there is a fault.



WARNING Burns

- Never place any flammable, combustible or insulating objects or materials on the appliance or in direct proximity to it. Do not lean any objects against the appliance. This can cause a build-up of heat, leading to an excessive temperature in the surface of the casing and in such objects.
- Ensure that the air intake and discharge are never blocked.
- Never place any objects between the appliance and the wall.



CAUTION Burns

The surfaces of the appliance casing and the expelled air can become very hot during operation (above 80 °C) and can cause burns. Particular caution is advised when children or vulnerable persons are present.



WARNING Overheating

To prevent the appliance from overheating, never cover it with anything.

2.3 Test symbols

See type plate on the appliance. The type plate is located on the left side panel of the appliance.

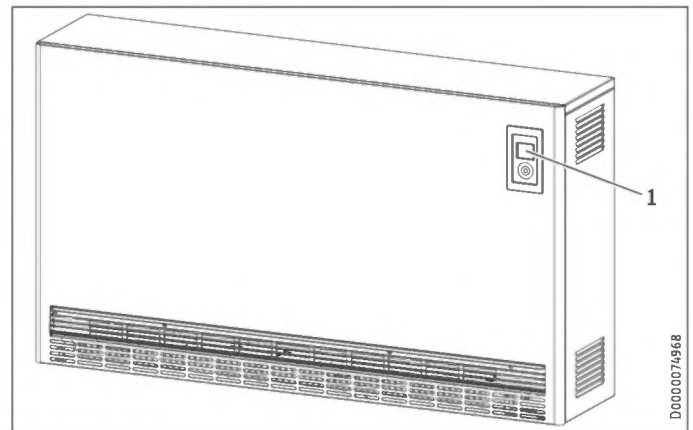
3. Appliance description

This appliance is designed to store electrically generated heat. The electrical heat is generated when the power supply utility enables the supply of cheaper off-peak power.

The times when this supply is enabled depend on the relevant power supply utility. The times when it is enabled are predominantly at night.

Subject to the required room temperature, the stored heat is transferred to the room as hot air via a fan, and partially via the appliance surface.

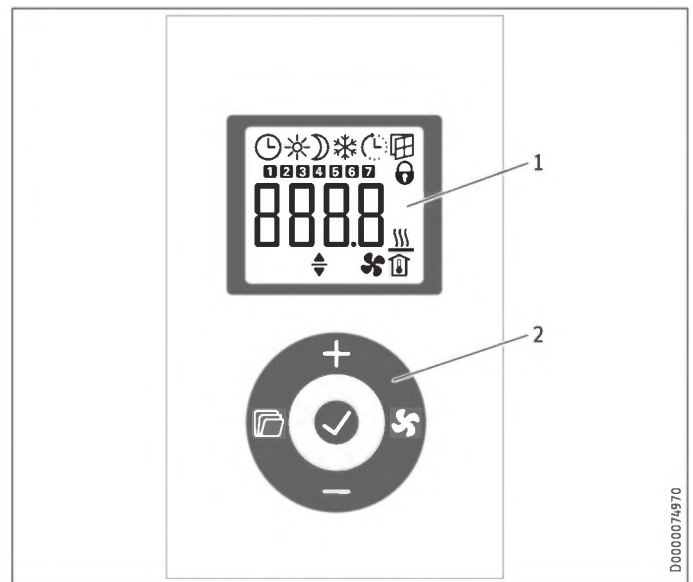
4. Operation



1 Programming unit

4.1 Programming unit

The appliance is operated using the programming unit which is located at the top right of the appliance front.



1 Display
2 User interface

4.1.1 User interface

Button	Designation	Description
	"Fan" button	Switching fan enabling on and off
	"OK" button	Selection; Confirm settings
	"Menu" button	Call up and exit menu
	"+" button	Call up menu items; Change settings
	"-" button	Call up menu items; Change settings

OPERATION

Operation

4.1.2 Display

If no user action occurs for 20 seconds, the backlighting switches off. Press any button to switch the background lighting on again.

Symbols



Note

If heat transfer (discharge) is controlled via a wall mounted room temperature controller, not all symbols will be displayed.

Symbol	Description
	Time display: Indication of the current time or a programmed start time Timer mode: The appliance heats in accordance with the enabled time program.
	Comfort mode: The appliance maintains the set comfort temperature. Standard setting: 21.0 °C. Use this setting for comfortable room temperatures when someone is present.
	Setback mode: The appliance maintains the selected setback temperature. Standard setting: 18.0 °C. Use this setting e.g. at night or when absent for several hours.
	Adaptive start: In timer mode, the heating appliance switching times are adjusted to ensure that, at the programmed start time, the respective set room temperature is already reached. Conditions: The "Adaptive start" function is enabled (see chapter "Settings / Standard menu").
	Window open detection: To avoid unnecessary energy consumption while ventilating the room, the appliance automatically reduces the set room temperature to 7.0 °C for one hour if a window is open. The "Window open detection" symbol flashes. After ventilation, window open detection can be terminated manually by pressing "+" or "OK". The appliance then heats to the set room temperature again. Conditions: Window open detection is enabled (see chapter "Settings / Standard menu").
	Operating lock: To lock or unlock the user interface, press and hold "+" and "-" simultaneously for 5 seconds.
	Enable the booster heater (accessory): If storage heating is insufficient to heat a room, the booster heater will provide additional heat.
	Room temperature display
	Fan enabled: If the room temperature falls below the set room temperature, the fan switches on and delivers heated air to the room until the set temperature has been reached.
	Editable parameter: The parameter shown can be changed using "+" and "-".
	Days of the week: 1 = Monday, 2 = Tuesday ... 7 = Sunday

4.2 Heat storage

The degree of heat storage (charge) is set via the charge controller.

The settings you have to make via the charge controller depend on whether you use an appliance with or without a central weather-compensated charge control system.

The weather-compensated charge control system is located in the control panel.

4.2.1 Appliances with a weather-compensated charge control system

- ▶ Call up the standard menu with the "Menu" button and then press "OK".
- ▶ Once the "Editable parameter" symbol appears, set the charge level reducer to 100 % with the "+" and "-" buttons.



Note

If heat transfer (discharge) is controlled by a wall mounted room temperature controller, adjust the charge level reducer on the standard display with the "+" and "-" buttons.

The weather-compensated charge control system ensures the correct charge level.



Note

Observe the instructions of the charge control system or group control unit.

For separate control of individual appliances, you can also manually adjust the charge volume via the charge level reducer.

If you set the charge level reducer to 0 %, no charging takes place.

4.2.2 Appliances without a weather-compensated charge control system

The charge volume is set by means of the charge level reducer.

- ▶ Call up the standard menu with the "Menu" button and then press "OK".
- ▶ Once the "Editable parameter" symbol appears, adjust the charge level reducer with the "+" and "-" buttons.



Note

If heat transfer (discharge) is controlled by a wall mounted room temperature controller, adjust the charge level reducer on the standard display with the "+" and "-" buttons.

In this respect, the following standard values apply:

Value	Charge volume
0 %	No charge (in summer)
30 %	Approx. 1/3 of full charge during shoulder seasons (spring or autumn)
70 %	Approx. 2/3 of full charge on mild winter days
100 %	Full charge on cold winter days

Once you have familiarised yourself with the appliance, you will be able to find the correct setting as appropriate.

4.3 Heat transfer

Heat transfer (discharge) is controlled either by the room temperature controller built into the appliance or by a wall mounted 2-point room temperature controller (see chapter "Accessories").

The room temperature controller automatically regulates heat transfer via the fan so that the set room temperature is maintained. Fan enabling must be switched on for the fan to run.

OPERATION

Settings



Note

If you are away for several days during the heating season, it makes sense to set a reduced room temperature, e.g. 10 °C. This setting prevents the room temperature from falling too low (frost protection).

4.3.1 Switching fan enabling on and off

► To switch fan enabling on or off, press the "Fan" button. If fan enabling is switched on, the fan symbol appears on the display.

5. Settings

5.1 Standard display



The standard display is continuously displayed. If no user action is performed for longer than 20 seconds while in the menu, the device automatically switches to the standard display.

The default display shows the current set room temperature as well as the "Editable parameter" symbol. You can use "+" and "-" to change the set room temperature.

If the set room temperature corresponds to one of the values set for the comfort or setback temperature, the symbol for the corresponding operating mode (comfort mode, setback mode) appears in the menu bar.

The set room temperature can also be changed manually when in timer mode. The changed set room temperature is maintained until the next programmed switching point is reached.

5.2 Standard menu

To access the standard menu, briefly press "Menu". You can now call up the following menu items:

Display	Description
	Adjust the charge level reducer For days when the heat demand is lower, you can adjust the charge volume manually in 10 % increments.
	Select day of the week and time
	Select comfort temperature The comfort temperature must be set at least 0.5 °C higher than the setback temperature.
	Select setback temperature The setback temperature must be set at least 0.5 °C lower than the comfort temperature.

Display	Description
	Switch "Window open detection" function on and off
	Select time program (Pro1, Pro2, Pro3) or deactivate (off)
	Switch "Adaptive start" function on and off
	Switch booster heater (accessory) on or off

To change the setting of a menu item, call the relevant menu item up using "+" and "-". Press "OK".

As soon as the "Editable parameter" symbol appears, you can change the setting of the menu item with "+" and "-". Press "OK" to save the setting.

To exit the standard menu, press "Menu". The standard display appears.

5.3 Configuration menu

Display	Description
I1-I2	Actual values
Pro1-Pro3	Time programs
P1-P5	Parameters
CodE	Contractor access

In the configuration menu, you can call up actual values, program time programs for timer mode and set parameters.

To access the configuration menu, press and hold "Menu". After approx. 3 seconds, actual value I1 is displayed.

Use "+" and "-" to switch between the individual actual values, time programs and parameters.

To exit the configuration menu, press "Menu". The standard display appears.

5.3.1 Actual values

The following actual values can be called up:

Display	Description	Unit
I1	Actual room temperature	[°C] [°F]
I2	Relative heating time (The counter can be reset via parameter P5.)	[h]



Note

The counter for relative heating time (I2) counts the charge time in complete hours run. The counter increases when the appliance has been charged for a full hour, even if this is split between shorter periods.

OPERATION

Settings

5.3.2 Time programs

There are three time programs available when using the appliance in timer mode. Time programs Pro1 and Pro2 are pre-configured at the factory. Time program Pro3 can be set according to your individual requirements.

Display	Description
Pro1	Time program "Daily" - Repeated: Monday to Sunday
Pro2	Time program "Weekdays" - Repeated: Monday to Friday
Pro3	Time program "User defined" - up to 14 comfort phases, freely configurable



Note

To use timer mode, select the required time program in the standard menu (see chapter "Settings / Standard menu").



Note

Ensure the day of the week and the time are set correctly when setting the time programs.



Note

The following applies to all time programs (Pro1, Pro2, Pro3):
If the end time is later than 23:59 h, the end time will automatically be moved to the next day of the week. The comfort phase is maintained past midnight and will end on the next day at the set end time.

Time programs Pro1 and Pro2

You can specify the comfort mode start and end times with time programs Pro1 and Pro2. During this time period, the appliance heats to the set comfort temperature. Outside this specified time period, the appliance operates in setback mode. This results in a comfort phase and a setback phase, which are repeated daily (Pro1) or on every working day (Pro2).

These phases are factory-set as follows:

- 08:00 h - 22:00 h: Comfort mode
- 22:00 h - 08:00 h: Setback mode



Note

When time program Pro2 is enabled, the appliance operates at weekends exclusively in setback mode.

To adapt time programs Pro1 and Pro2 according to your needs, proceed as follows:

- ▶ In the configuration menu, use "+" and "-" to call up the required time program.
- ▶ Press "OK".
The start time for comfort mode is displayed.
- ▶ Use "+" and "-" to set the required start time.
- ▶ Press "OK".
The end time for comfort mode is displayed.
- ▶ Use "+" and "-" to set the required end time.
- ▶ Press "OK" to save.

Time program Pro3

You can use time program Pro3 to specify up to 14 separate comfort phases which are repeated weekly.

To configure a comfort phase in time program Pro3, proceed as follows:

- ▶ In the configuration menu, use "+" and "-" to call up time program Pro3.
- ▶ Press "OK".
The display shows "3---".
- ▶ Press "OK".
A day of the week or a group of days is displayed.
- ▶ Use "+" and "-" to select the required day or group of days.
- ▶ Press "OK".
The start time for comfort mode is displayed.
- ▶ Use "+" and "-" to set the required start time.
- ▶ Press "OK".
The end time for comfort mode is displayed.
- ▶ Use "+" and "-" to set the required end time.
- ▶ Press "OK".
Comfort phase "3-01" has been configured.
- ▶ To configure a further comfort phase, use "+" and "-" in time program Pro3 to select display "3---". Proceed as describe above.



Note

To reset the selected comfort phases, activate parameter P4.
▶ Please note that activating parameter P4 resets all time programs (Pro1, Pro2, Pro3) to the factory setting.

5.3.3 Parameters

You can call up the following parameters:

Display	Description	Options
P1	Room temperature offset	±3 °C ±5 °F
P2	Time format	12 h 24 h
P3	Temperature display units	°C °F
P4	Reset time programs (timer mode).	on off
P5	Reset relative heating time	on off

To change the value of a parameter, use "+" and "-" to call up the relevant parameter. Press "OK".

As soon as the "Editable parameter" symbol appears, you can change the parameter value with "+" and "-". Press "OK" to save the selected value.

P1: Room temperature offset

Uneven temperature distribution in the room can result in a difference between displayed actual temperature I1 and the room temperature you measure. To compensate for this difference, a room temperature offset of ±3 °C can be set via parameter P1.

Example: The appliance indicates I1 = 21.0 °C. You have measured a room temperature of 20.0 °C. There is a difference of 1.0 °C.

- ▶ To compensate for the difference, select an offset of P1 = -1.0.

Settings when a wall mounted room temperature controller is present

P2: Time format

Parameter P2 allows you to specify whether the time is displayed in the 12 hour or 24 hour format.

P3: Temperature display units

Parameter P3 is used to specify whether the room temperature is displayed in degrees Centigrade [°C] or Fahrenheit [°F].

P4: Reset time programs

Activating parameter P4 resets all time programs to the factory setting.

P5: Reset relative heating time

Activating parameter P5 resets the counter for relative heating time (I2).

5.3.4 Contractor access

Display	Description
CodE	Contractor access



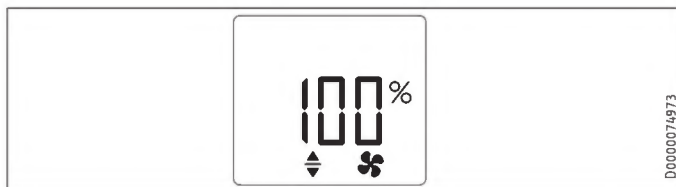
Note Some menu items are protected by a code and can only be accessed and adjusted by a qualified contractor.

6. Settings when a wall mounted room temperature controller is present



Note If heat transfer (discharge) is controlled via a wall mounted room temperature controller, only a very limited number of adjustment options are available to you on the appliance.

6.1 Standard display



The standard display is continuously displayed. If no user action is performed for longer than 20 seconds while in the menu, the device automatically switches to the standard display.

The standard display shows the current setting of the charge level reducer as well as the "Editable parameter" symbol. For days when the heat demand is lower, you can adjust the charge volume manually in 10 % increments using the "+" and "-" buttons.

6.2 Standard menu



Note You can call up the standard menu only if your appliance is fitted with a booster heater (accessory).

To access the standard menu, briefly press "Menu".

Display	Description
	Switch booster heater (accessory) on or off Even if the wall mounted room temperature controller has a booster heater switch, the booster heater must be switched on in the standard menu.

If you wish to change the setting of the menu item, press the "OK" button.

As soon as the "Editable parameter" symbol appears, you can change the setting of the menu item with "+" and "-". Press "OK" to save the setting.

To exit the standard menu, press "Menu". The standard display appears.

6.3 Configuration menu

Display	Description
I2	Actual value
P5	Parameters
CodE	Contractor access

To access the configuration menu, press and hold "Menu". After approx. 3 seconds, actual value I2 is displayed.

Use "+" and "-" to switch between the individual actual value and the parameter.

To exit the configuration menu, press "Menu". The standard display appears.

6.3.1 Actual value

Display	Description	Unit
I2	Relative heating time (The counter can be reset via parameter P5.)	[h]



Note The counter for relative heating time (I2) counts the charge time in complete hours run. The counter increases when the appliance has been charged for a full hour, even if this is split between shorter periods.

6.3.2 Parameters

Display	Description	Options
P5	Reset relative heating time Activating the parameter resets the counter for the relative heating time (I2).	on off

If you wish to change the setting of the parameter, press the "OK" button.

As soon as the "Editable parameter" symbol appears, you can adjust the setting of the parameter with the "+" and "-" buttons. Press "OK" to save the setting.

6.3.3 Contractor access

Display	Description
CodE	Contractor access

Note
Some menu items are protected by a code and can only be accessed and adjusted by a qualified contractor.

7. Cleaning, care and maintenance

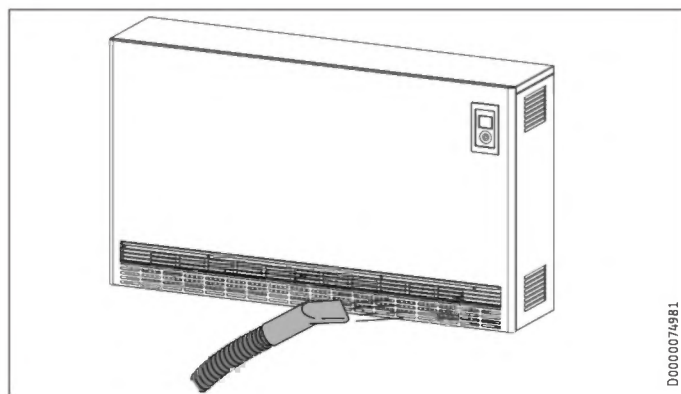
Material losses

- Never spray cleaning spray into the air slot.
- Ensure that no moisture can enter the appliance.

- If a pale brownish discolouration appears on the appliance casing, wipe it off with a damp cloth.
- Clean the appliance when cold with ordinary cleaning products. Avoid abrasive or corrosive cleaning products.

7.1 Cleaning the fluff filter

Note
Clean the fluff filter behind the air intake regularly. This will ensure trouble-free discharging of the appliance. If a fluff filter is added, switch OFF the fan.



► Clean the fluff filter behind the air intake with a vacuum cleaner.

8. Troubleshooting

Problem	Cause	Remedy
The appliance does not heat up.	The charge was not set or was set too low.	Set a higher charge level.
	Temperature set too low on the appliance.	Check the selected room temperature. Adjust if necessary.
	Fan enabling is turned off.	Switch fan enabling on.
Room does not get warm enough although the appliance is hot.	No power supply.	Check the fuse/MCB and the RCD in the domestic distribution board.
	Overheating. High limit safety cut-out limits heating output.	Eliminate the cause (dirt or obstructions at the air intake or discharge). Observe minimum clearances.
The heat transfer of the appliance is too high even in mild weather.	Heat demand of the room is higher than the appliance output.	Remedy heat losses (Close windows and doors. Avoid constant venting.)
	The setting at the charge control system and/or charge controller is incorrect.	Adjust the settings.
The room gets too hot.	Appliance temperature is set too high.	Check the selected room temperature. Adjust if necessary.
Appliance does not discharge.	The fluff filter is clogged.	See chapter "Cleaning, care and maintenance".
Window open detection does not respond.	Appliance does not detect a pronounced temperature drop when venting. (Window open detection requires a previously stable room temperature.)	Wait a while after making settings on the appliance, until the room temperature has fully stabilised.
		Avoid obstructions to air changes between appliance and indoor air. Stop the fan for the ventilation period.
"Adaptive start" function does not work as required.	Window open detection is not enabled.	Switch on window open detection in the standard menu.
	This function is only effective in timer mode.	Use the timer mode for optimised heating convenience.
The display shows "E1", "E2" or "E3".	Severely fluctuating room temperature or the appliance learning procedure has not been completed.	Wait a few days for the behaviour to stabilise.
	"Adaptive start" function is not enabled.	Switch on the "Adaptive start" function in the standard menu.
Internal fault detected.	Internal fault detected.	Notify the qualified contractor.

Note
Changes or removal of faults at the charge control system only become apparent after renewed charging.

If you cannot remedy the fault, contact your qualified contractor. To facilitate and speed up your request, provide the number from the type plate (000000-0000-000000).

INSTALLATION

9. Safety

Only a qualified contractor should carry out installation, commissioning, maintenance and repair of the appliance.

9.1 General safety instructions

We guarantee trouble-free function and operational reliability only if original accessories and spare parts intended for the appliance are used.

9.2 Instructions, standards and regulations



WARNING Electrocutation

Carry out all electrical connection and installation work in accordance with relevant regulations.



WARNING Electrocutation

The connection to the power supply must be in the form of a permanent connection. Ensure the appliance can be separated from the power supply by an isolator that disconnects all poles with at least 3 mm contact separation.



Material losses

Observe the type plate. The specified voltage must match the mains voltage. Design all materials in accordance with the rated consumption of the appliances.



Material losses

Secure the appliance to the wall or floor in such a way as to ensure stability.



Material losses

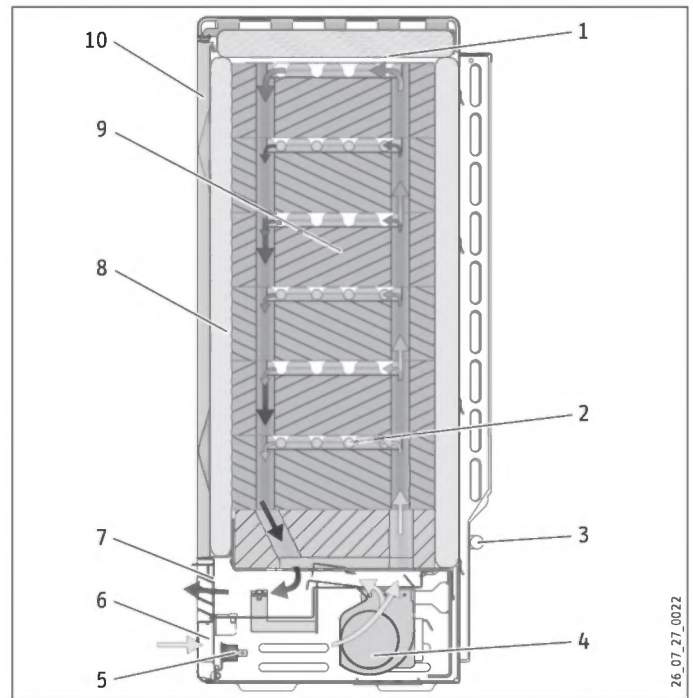
- Never install the appliance directly below a wall socket.
- Ensure that the power cable is not in contact with any appliance components.



Material losses

Observe all applicable national and regional regulations and instructions.

10. Appliance description



- 1 Cover panel
- 2 Heating element
- 3 Room temperature sensor
- 4 Fan (M1)
- 5 Protective temperature controller (N5)
- 6 Air intake
- 7 Air discharge
- 8 Insulation
- 9 Storage blocks
- 10 Front panel and inner front panel

10.1 Function

The storage blocks are heated via the heating elements between the rows of storage blocks. The charge can be adjusted with the charge controller. The start and duration of the charge time are set by the local power supply utility (PSU).

Two integral protective temperature controllers and a high limit safety cut-out prevent the appliance overheating. The protective temperature controllers switch back on automatically but the high limit safety cut-out must be switched back on by pressing the button in its centre after the cause of the fault has been rectified.

The stored heat is transferred via a fan, and partially also via the appliance surface. For this, indoor air is drawn in by the fan through the air intake and released through the air ducts in the storage blocks, which heat it.

Before the hot air produced in this way is released via the air discharge grille, it is mixed with cooler indoor air via two mixing air dampers, so the expelled air does not exceed the highest permissible temperature. The position of the mixing air damper, and thus the mixing ratio of the air, is regulated via a bi-metal controller.

INSTALLATION

Preparation

10.2 Standard delivery

The following are delivered with the appliance:

- Storage blocks

10.3 Accessories

- 2-point room temperature controller (discharge controller)
- Booster heater
- DC Control Input assembly (DC control signal)

11. Preparation



Material losses

Ensure that the differential in potential between connections L, L1 on the mains power side and the various control signals SL, A1, A2, LF, SH, LE and LH does not exceed 230 V.



Note

There must be continuous voltage at terminals L and N on terminal strip X2.



Note

If the appliance is connected to an automatic charge control system (e.g. EAC 4), the charge control system for electronic charge controllers must be set without voltage correction.

11.1 Installation location



WARNING Burns

- Ensure that the mounting wall is resistant to temperatures up to at least 85 °C and the floor is resistant to temperatures up to at least 80 °C.
- Maintain the minimum clearances to adjacent objects.



Note

If the appliance is installed in rooms where flue gas, oil or petrol vapours occur or where work involves solvents and chemicals, the operation of the appliance can result in long lasting odours or contamination of the appliance.



Material losses

The appliance must be installed flush against the wall.

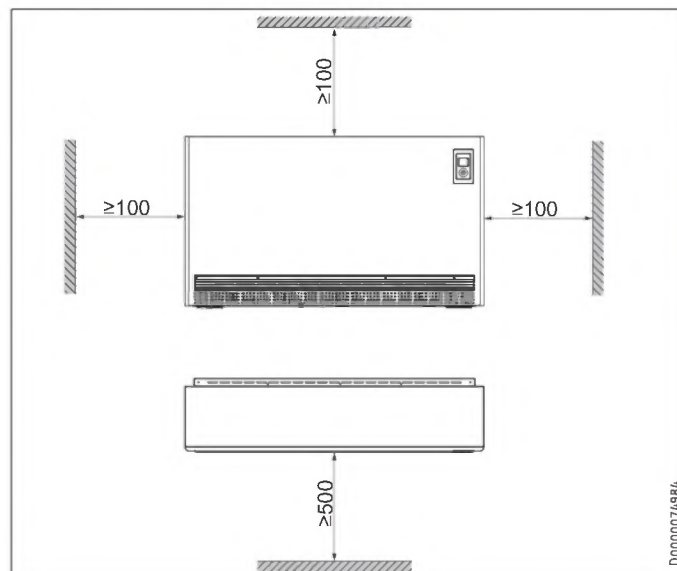
The surface on which the appliance is installed must be level and offer sufficient load bearing capacity. For details regarding the appliance weight, see chapter "Specification / Data table".

- ▶ If in doubt, consult a qualified structural engineer.

The appliances may be installed on any conventional floor, although PVC, parquet and long- or deep-pile carpets may be affected by pressure and heat. In such cases, heat-resistant support plates must be used (to be provided on site).

The stability of the appliance must be ensured by fixing it to the wall or floor (see chapter "Installation / Installation versions").

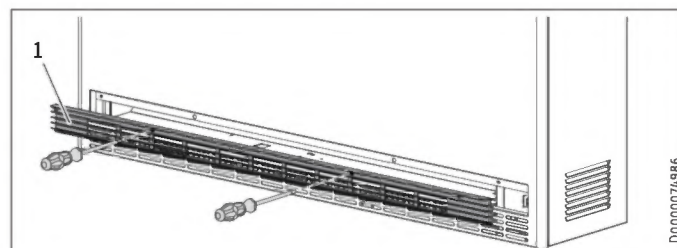
11.2 Minimum clearances



- ▶ Ensure that the hot air can escape from the appliance without obstruction.

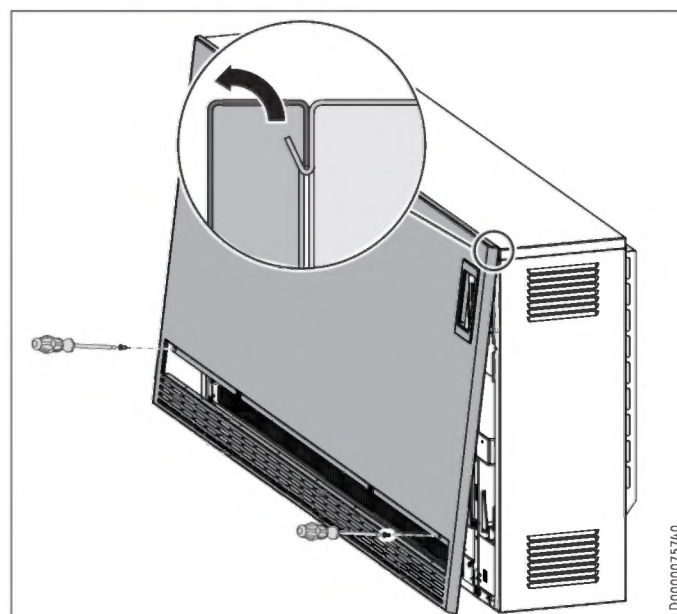
12. Installation

12.1 Opening the appliance



- 1 Air discharge grille

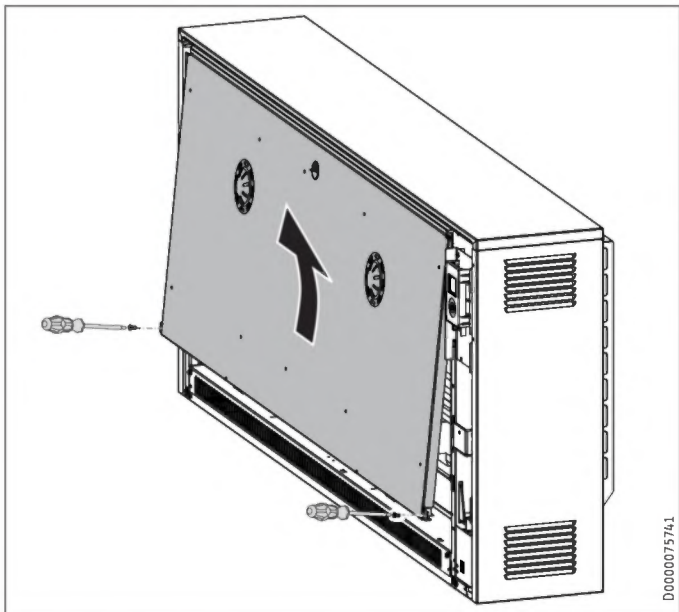
- ▶ Undo the two quarter-turn locks on the air discharge grille and remove it.



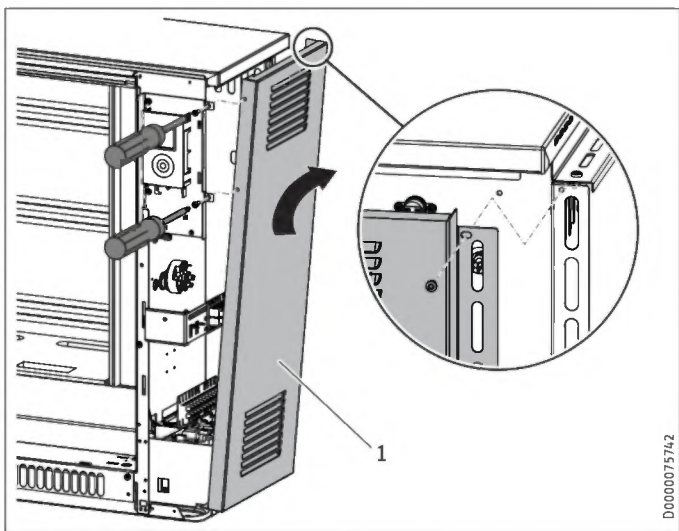
INSTALLATION

Installation

- ▶ Undo the screws in the front panel.
- ▶ Pull the front panel forwards and lift it upwards to remove it.



- ▶ Undo the screws on the inner front panel at the bottom edge.
- ▶ Pull the inner front panel forwards and lift it upwards to remove it.



- 1 R.h. side panel (with loosened screws)
- ▶ Undo the 3 screws at the front and back of the right side panel.
 - ▶ Pull the side panel forwards slightly and tilt it to the side at the top.
 - ▶ Lift the side panel slightly and remove it.

12.2 Adjusting the charge controller



Note Observe the following information. After installation, these settings can be made, in some cases to a limited extent, subject to the installation location and version.

12.2.1 Reducing the connected load

The appliance connection is fully wired at the factory to the maximum output (100 %).

You can reduce the connected load by 3 output stages by moving or removing jumpers at the terminals (see chapter "Specification / Reducing the connected load").

Size the cross-sections and fuse according to the maximum possible output of the appliance.



Note Observe the requirements of the local power supply utility.

12.2.2 Output matching according to an increased nominal charge duration

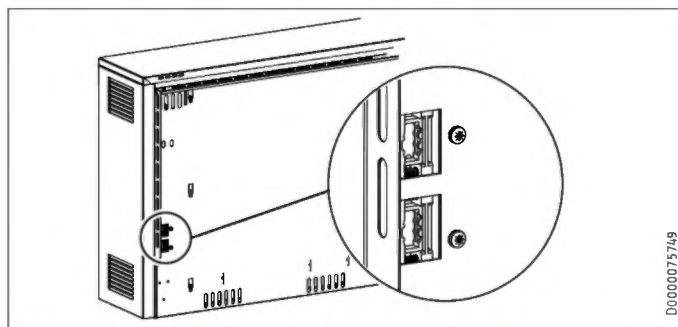
If jumpers at the terminals are moved or removed, the connected load can be matched to the nominal charge duration specified by the power supply utility. The storage heater is sized at the factory to a nominal charge duration of 8 hours.

- ▶ Observe the details specified in chapter "Specification / Output matching".

12.2.3 Connection to DC control signal

If a charge control system with a DC control signal (DC voltage 0.91 V - 1.43 V) is installed on the system, you will need the DC Control Input assembly (accessory). The DC control signal must be connected to terminals A1/Z1 "DC + (positive)" and A2/Z2 "DC - (negative)" on terminal strip X3. Observe the polarity.

12.3 Power supply / connecting cables



WARNING Electrocutation

▶ Before any work on the appliance, isolate the connecting cables in the control panel.

- ▶ Route the power cables and connecting cables for the charge and discharge controllers into the appliance through the apertures in the back panel and connect them (see chapter "Specification / Wiring diagram").
- ▶ Remove approx. 260 mm of insulation from the connecting cables and trim as required. The cables must not be placed next to the air slot in the side panel.

INSTALLATION

Installation

12.4 Electrical connection

12.4.1 General information



WARNING Electrocutation
If the appliance is connected to an automatic charge control system, there may be voltage at terminals A1/Z1 and A2/Z2 even if the fuses have been removed.

The electrical connection of the heating elements is made with 3/N/PE~400 V. With the single phase connection kit (accessory), a connection with 1/N/PE~230 V is also possible.

The connection is possible with NYM. The number of power cables, conductors and cross-sections depends on the connected load of the appliance and the type of power connection, as well as on special regulations from the power supply utility.

Observe the wiring diagram and output stages (see chapter "Specification").

12.4.2 Connecting the appliance



WARNING Electrocutation
Ensure the earth conductor is properly connected.



WARNING Electrocutation
Connection cables must not be damaged, removed or pulled out of the appliance.
▶ Route the connecting cables accordingly.



Note
There must be continuous voltage at terminals L and N on terminal strip X2.

- ▶ Apply strain relief to the power cables and connect them according to the wiring diagram inside the appliance (on the inside of the r.h. side panel), or according to the wiring diagram in chapter "Specification".

If the angled panel located in the wiring chamber interior for mounting the mains terminals is not easily accessible because the side clearance is inadequate, you can pivot it forwards after undoing the retaining screw.

12.4.3 Control without heating contactor

If a heating contactor is not installed (may be required by the power supply utility), the function in the storage heater's PCB can be used.

- ▶ For this, connect either the LF and N power-OFF signals or the SH and N signals of the relevant charge control system directly to the LF/SH and N terminals of the storage heater.
- ▶ In the configuration menu, set parameter P15 to 1 (see chapter "Installation / Settings").

The heating elements in the appliance are not switched on until the LF from the power supply utility has been enabled and the electronic charge controller has enabled charging.

12.4.4 Appliance type plate



Note
Document the connected load and the nominal charge duration.

- ▶ Mark the relevant boxes on the type plate.

12.5 Installation versions

12.5.1 Wall mounting

(where the wall has adequate load bearing capacity)

For wall mounting, there is a hole in the appliance back panel near the wiring chamber.

- ▶ Secure the appliance with a suitable screw to the wall to prevent it from tipping over.

12.5.2 Floor mounting

Alternatively, you can secure the appliance to the floor through four holes (Ø 9 mm) in the feet.

- ▶ Remove the air discharge grille, the front panel and the air routing assembly (see chapter "Installation / Opening and cleaning the appliance").
- ▶ Secure the appliance to the floor with suitable screws.

12.6 Inserting storage blocks



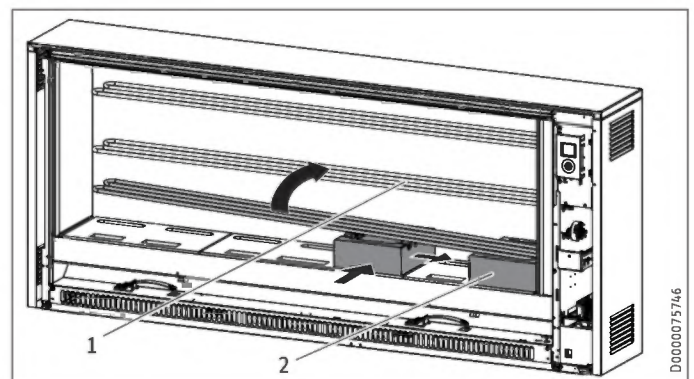
WARNING Burns
Broken insulation can lead to the casing overheating.

- ▶ Check the thermal insulation in the appliance for transport damage.
- ▶ Replace faulty thermal insulation.

The appliance must be completely free of foreign bodies such as parts of the packaging.

- ▶ Remove the cover panel and cardboard inserts from the interior of the appliance.

The storage blocks are delivered in separate packaging. Storage blocks with slight transport damage can be used. This does not impair the function of the appliance.

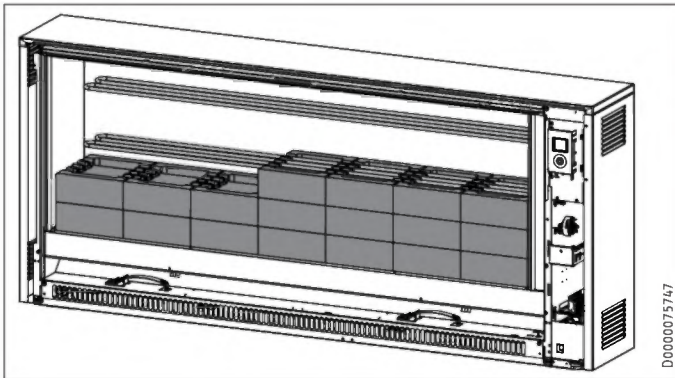


- 1 Heating element
- 2 Storage block

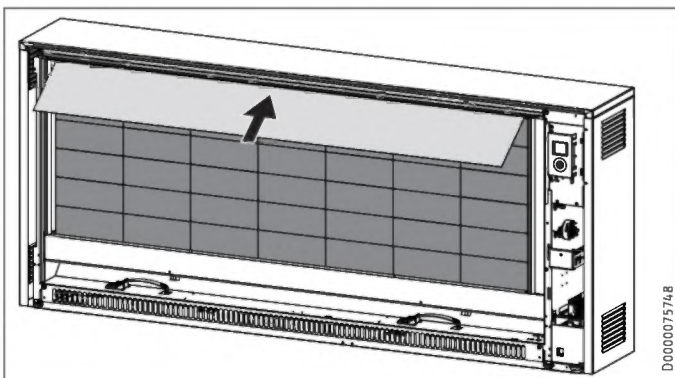
- ▶ To insert the storage blocks, raise the heating elements slightly.

Installation

- ▶ When raising the heating elements, ensure the through holes in the side insulation are not widened by the heating elements.
- ▶ Insert the first storage block, with the heating element cavity pointing upwards, with some clearance to the r.h. thermal insulation.
- ▶ Push the storage block up against the r.h. and back thermal insulation. The long holes form the heating ducts.



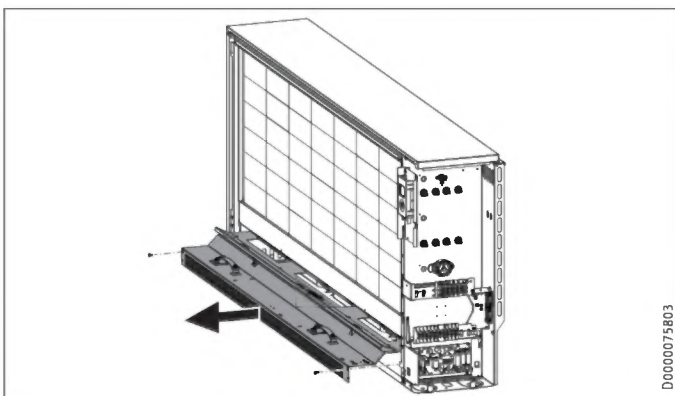
- ▶ Insert the other storage blocks in the order shown.



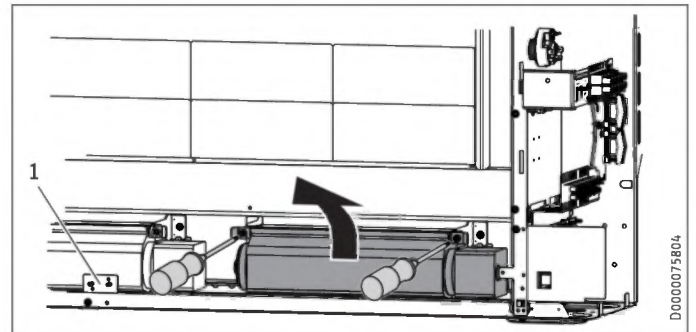
- ▶ Push the cover panel taken from the interior of the appliance over the upper storage blocks.

12.7 Cleaning the appliance

- ▶ Clean the appliance after installation and inserting the storage blocks. For this, proceed as follows:



- ▶ Remove the air routing assembly.



- 1 Protective temperature controller (N5)
 - ▶ Lift the fan out. To do this, loosen the screws located at the front on the retaining brackets.
 - ▶ Observe the cable routing.

With some appliances, the protective temperature controller (N5) incl. retaining bracket must be unscrewed.

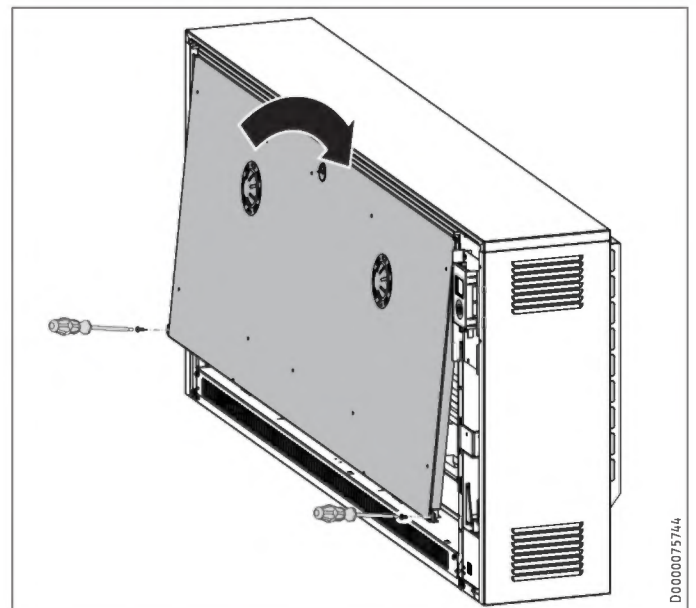


Material losses

When depositing the components you have removed, ensure that the wires are not damaged.

- ▶ Clean the floor plate and fan. Make sure not to damage the fins.
- ▶ Then refit the fan, and if necessary the protective temperature controller and air routing assembly.
- ▶ Observe the correct cable routing.

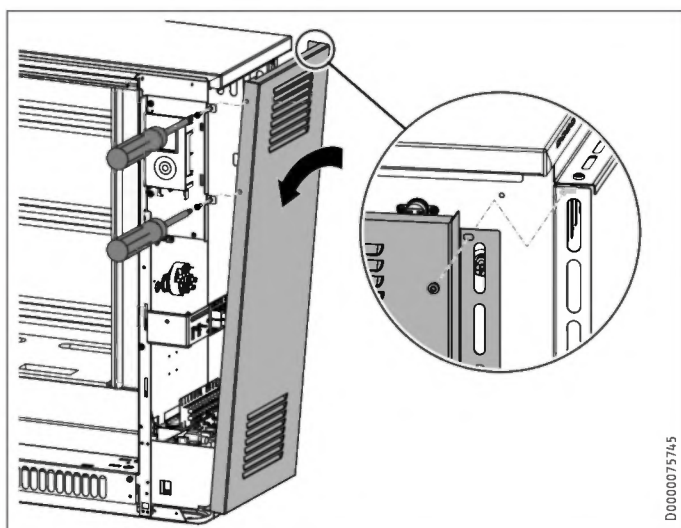
12.8 Closing the appliance



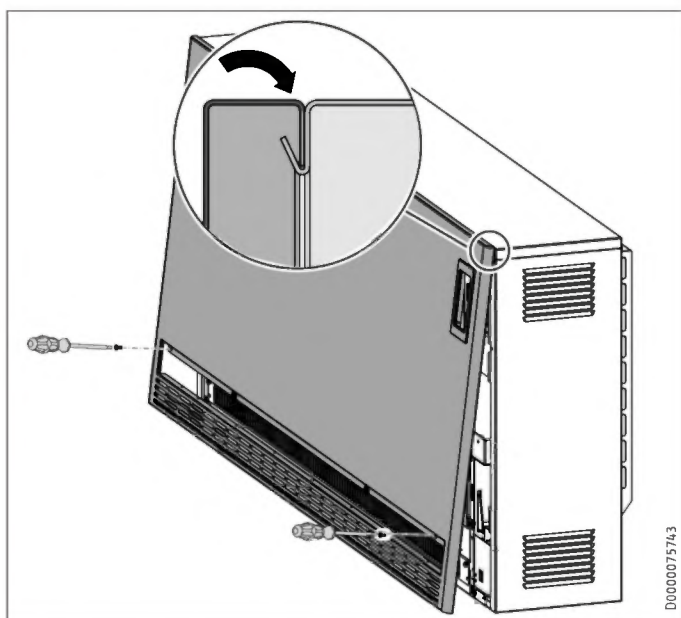
- ▶ Insert the inner front panel again.

INSTALLATION

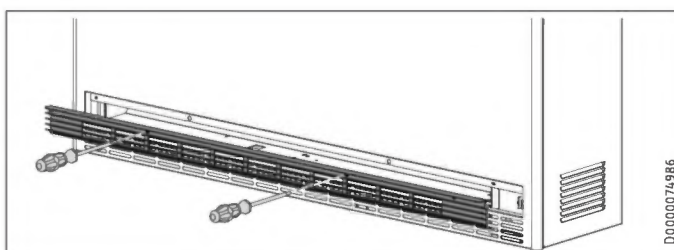
Settings



- ▶ Insert the right side panel at the bottom and pivot the top towards the appliance.
- ▶ Hook the top of the side panel into the cover and push it backwards. Make sure that the side panel rests on the mounting plate of the programming unit.
- ▶ Secure the side panel using the 3 screws with serrated washers.



- ▶ Before installing the front panel, remove the protective film from the programming unit.
- ▶ Insert the front panel again.
- ▶ Secure the front panel using the screws with serrated washers.



- ▶ Tighten the air discharge grille with the two quarter-turn locks.

13. Settings

13.1 Configuration menu

To access the configuration menu, press and hold "Menu". After approx. 3 seconds, actual value I1 is displayed.

Display	Description
I1-I2	Actual values
Pro1-Pro3	Time programs
P1-P5	Parameters
CodE	Contractor access

Once you have entered a four-digit code, additional actual values and parameters reserved for qualified contractors are enabled.

Access level	Description
A0	Actual values and parameters that are enabled for the appliance user and can therefore be accessed without a code.
A1	Actual values and parameters for the qualified contractor.

13.1.1 Enter code

The factory-set code is 1000.

- ▶ Use "+" or "-" to call up the "CodE" menu item. Access level A0 is displayed, alternating with the menu item.
- ▶ Press "OK". The code entry field is displayed. The first digit flashes.
- ▶ Use "+" or "-" to enter the code 1000. After entering each digit, press "OK".

Once the code has been entered correctly, the actual values and parameters that were previously inaccessible become visible.

13.1.2 Actual values

Display	Description	Access level	Unit
I1	Actual room temperature	A0	[°C] [°F]
I2	Relative heating time (The counter can be reset via parameter P5.)	A0	[h]
I3	Set charging level for next charge	A1	[%]
I4	Actual charging level	A1	[%]

INSTALLATION

Settings

13.1.3 Parameters

Display	Description	Access Level	Options
P1	Room temperature offset	A0	±3 °C ±5 °F
P2	Time format	A0	12 h 24 h
P3	Temperature display units	A0	°C °F
P4	Reset time programs	A0	on off
P5	Reset relative heating time	A0	on off
P6	SL control signal	A1	0 1
P7	Type of fan control	A1	0 1
P8	Reduce switch-off temperature	A1	100 % 90 % 80 % 70 %
P12	Booster heater	A1	0 1
P14	Source of set charging level	A1	1 2 3
P15	Source of low tariff enabling	A1	0 1
P17	Duty cycle	A1	30 - 80 %
P18	Fault characteristics	A1	0 1

To change the value of a parameter, use the "+" button to call up the relevant parameter. Press "OK".

As soon as the "Editable parameter" symbol appears, you can change the parameter value with "+" and "-". Press "OK" to save the selected value.

If you press the "Menu" button or if no user action is performed within 10 minutes, the appliance automatically switches to the standard display. Parameter blocking is reactivated.

P6: SL control signal

Options	Description
0	SL input deactivated (factory setting): The fan is controlled via the room temperature controller built into the appliance.
1	SL input activated: The fan is controlled via a wall mounted 2-point room temperature controller.

P7: Type of fan control

Options	Description
0	2-point controller: The fan is switched on and off by the room temperature controller built into the appliance, according to heat demand.
1	Proportional controller (factory setting): The speed of the fan motors is adjusted to the heat demand by the room temperature controller built into the appliance.

P8: Reducing the switch-off temperature

Using parameter P8, four different charging levels for the electronic charge controller (100 %, 90 %, 80 % or 70 %) can be selected, in conjunction with the adjustable connected load. The factory setting is 100 % (no reduction).

If a different setting is selected, a reduced charge level results (reduced switch-off temperature of the electronic charge controller). See chapter "Specification / Reducing connected load while maintaining nominal charge duration of 8 hours".

P12: Booster heater (accessory)

Options	Description
0	If no booster heater is installed in the appliance (factory setting).
1	The booster heater installed in the appliance is activated.

P14: Source of set charging level

Options	Description
1	For appliances without a weather-compensated charge control system. The charge volume is controlled via the charge level reducer.
2	The charge control cable is connected to an AC control signal (factory setting).
3	The charge control cable is connected to a DC control signal.

P15: Source of low tariff enabling

Options	Description
0	Permanently enabled (factory setting): The heating elements in the appliance are switched on when the heating contactor and the electronic charge controller enable charging.
1	LF hardware signal: The heating elements in the appliance are not switched on until the LF from the power supply utility has been enabled and the electronic charge controller has enabled charging.

P17: Duty cycle

The charge control cable must be connected to an AC control signal (alternating voltage signal at terminals A1 and A2).

The electronic charge controller in the appliance can be operated by charge control systems with duty cycles of 80 %, 72 %, 68 %, 40 % and 37 %. The factory setting is designed for duty cycles of 80 %.

If the appliance is operated with other duty cycles, this parameter must be adjusted to the appropriate percentage.

P18: Fault characteristics

Options	Description
0	The charge controller on the appliance is set to "negative fault characteristics" (storage heater not charged if charge control system is faulty). This setting will work only when operated by a digital charge control system. With AC charge control systems, an 80 % duty cycle signal is additionally required.
1	The charge controller in the appliance is set to "positive fault characteristics" (factory setting). This means if the charge control system is faulty (e.g. control signal failure), the appliance receives a full charge.

14. Commissioning

14.1 Checks before commissioning

You can carry out a function check before commissioning. To do so, call up commissioning mode in the configuration menu.

- ▶ To access the configuration menu, press and hold the "Menu" button for about 3 seconds.

You must first enable access level A1, which is reserved for qualified contractors.

- ▶ Use "+" or "-" to call up the "CodE" menu item.
- ▶ Press "OK".
The code entry field is displayed. The first digit flashes.
- ▶ Use "+" or "-" to enter the code 1000. After entering each digit, press "OK".
- ▶ After entering the correct code, call up the actual value I4 with the "+" button.
- ▶ To access commissioning mode, press and hold the "Menu" and "+" buttons simultaneously for about 3 seconds.

An initial charge takes place in commissioning mode. The charge volume is determined by the setting on the charge level reducer. The display shows charging progress as a percentage.



Note

- If the charge level reducer is set to 0 %, no charging takes place.
 - Once the charge volume has been reached, the appliance quits commissioning mode automatically.
-

- ▶ Test the fan function by switching on fan enabling, using the "Fan" button.
-



Note

The fan runs only while charging is taking place.

- ▶ To quit commissioning mode, press and hold the "Menu" and "-" buttons simultaneously for about 3 seconds.

14.2 Initial start-up

You can start the appliance directly, once installation has been completed.

- ▶ Set the charge via the charge level reducer or the charge control system.

14.2.1 Charging

During initial charging, a smell may develop.

- ▶ Make sure that the room is adequately ventilated. Partially opening windows, for example, results in a 1.5-fold air change.

If you install the appliance in the bedroom, initial charging should not take place while anyone is sleeping there.

15. Modifying the appliance

For modifications, attachments and installations, the instructions provided with the relevant kit are valid.

16. Handover

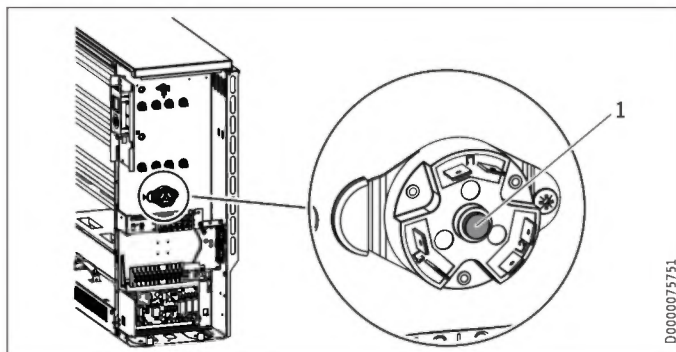
Explain the functions of the appliance to the user. Draw special attention to the safety instructions. Hand over these operating and installation instructions to the user.

17. Troubleshooting

17.1 Fault table

Fault	Cause	Remedy
The appliance does not heat up.	Heating element contactor control is faulty.	Check the heating element contactor control.
	No power supply to the storage heater.	Check the fuse/MCB in the main distribution box.
	No power supply at the charge controller.	Check the power supply. See chapters "Electrical connection" and/or "Specification".
	The high limit safety cut-out (F1) has responded.	Reset the high limit safety cut-out (see chapter "Resetting the high limit safety cut-out").
	The charge control system is incorrectly adjusted. The charge controller is not working properly.	Check the charge control system settings. Check the settings of parameters P14, P15, P17 and P18 in the configuration menu (see chapter "Installation / Settings").
When the outside temperature is mild, the appliance charge is too high (when using a charge control system).	The transmission of the control signal is interrupted.	Check whether the control signal from the charge control system in the storage heater is present.
	The heating curve is incorrectly adjusted.	Check the charge control system settings
	The outside temperature sensor is faulty. The charge controller is transmitting an incorrect control signal.	Test the outside temperature sensor and replace it if required. Check the settings of parameters P17 and P18 in the configuration menu (see chapter "Installation / Settings").
When the outside temperature is mild, the appliance charge is too high (when adjusting the charge manually).	Settings for the charge level reducer in the storage heater.	Check the charge level reducer settings.
Appliance does not discharge.	The fans are not turning.	Check: ... the settings of parameter P6 in the configuration menu (see chapter "Installation / Settings"). ... that fan enable is switched on. ... that fan voltage is present in the storage heater.
	The fluff filter in the air intake is clogged.	Clean the fluff filter. See chapter "Cleaning, care and maintenance". Check whether the air supply is obstructed, e.g. due to thick carpets. Check whether the protective temperature controller (N5) in the air discharge has responded.
The display shows fault code "E1".	The room temperature sensor is faulty.	Test the room temperature sensor and replace it if necessary.
The display shows fault code "E2".	The core temperature sensor is faulty.	Test the core temperature sensor and replace it if necessary.
The display shows fault code "E3".	The DC control signal is corrected to the wrong poles.	Check the DC control signal connection.

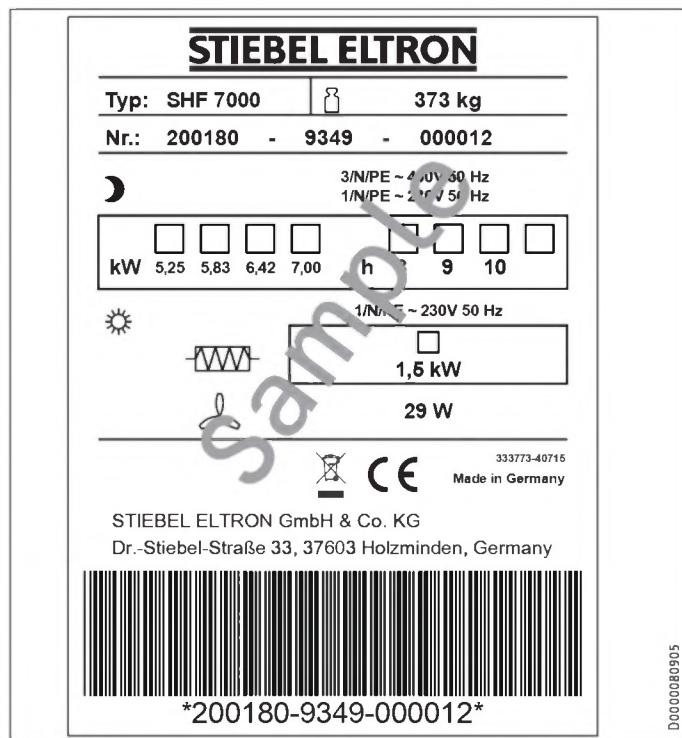
17.1.1 Resetting the high limit safety cut-out (F1)








1 Reset button, high limit safety cut-out

Once the cause of the fault has been rectified, the high limit safety cut-out can be reset by pressing the reset button.

17.2 Symbols on the type plate



Symbols on the type plate (example SHF 7000)

-  Total weight
-  Charging
-  Discharge
-  Booster heater
-  Fan

18. Maintenance and cleaning

The fan duct behind the air discharge grille must be checked every two years. Small dirt deposits can build up here.



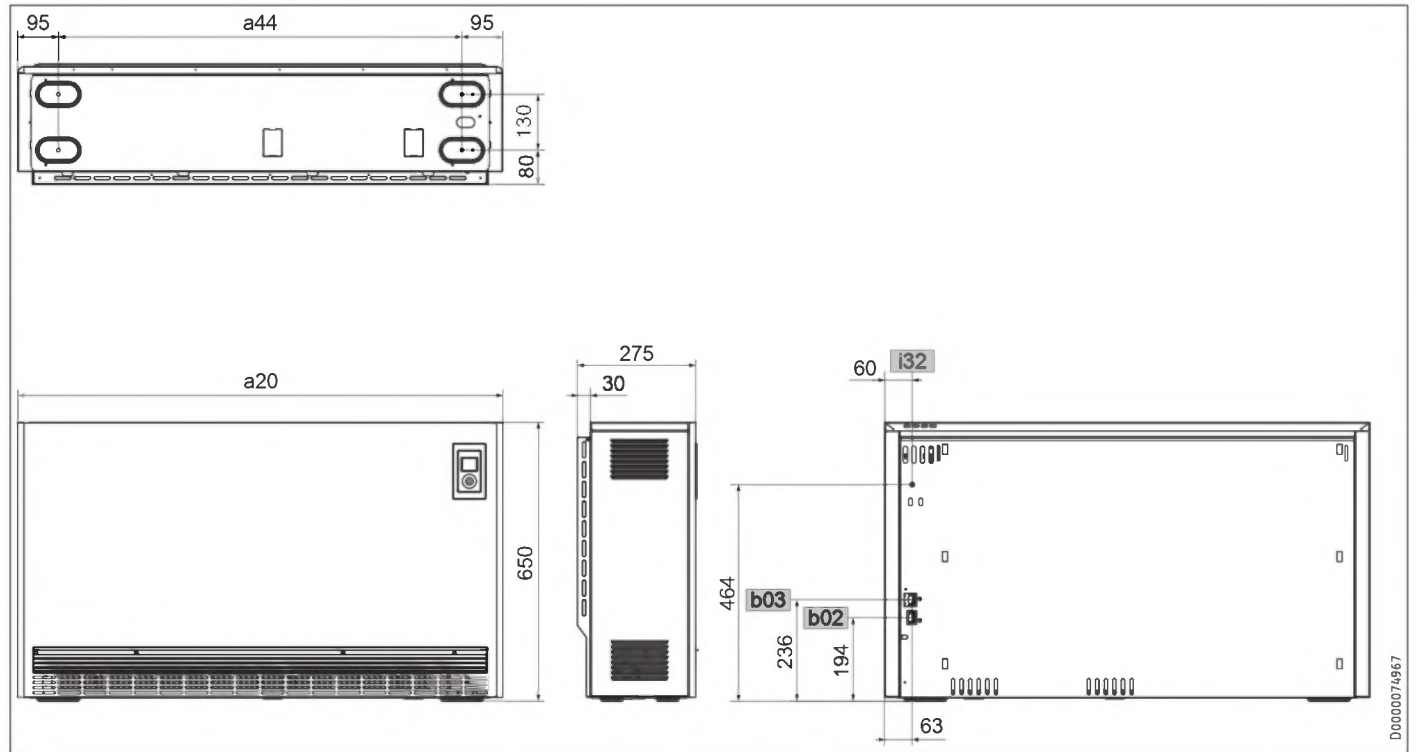
Note

We recommend having the control components checked as part of regular maintenance.

- ▶ Have a qualified contractor check the safety and control components as well as the entire charging and discharging system, no more than 10 years after commissioning.

19. Specification

19.1 Dimensions and connections

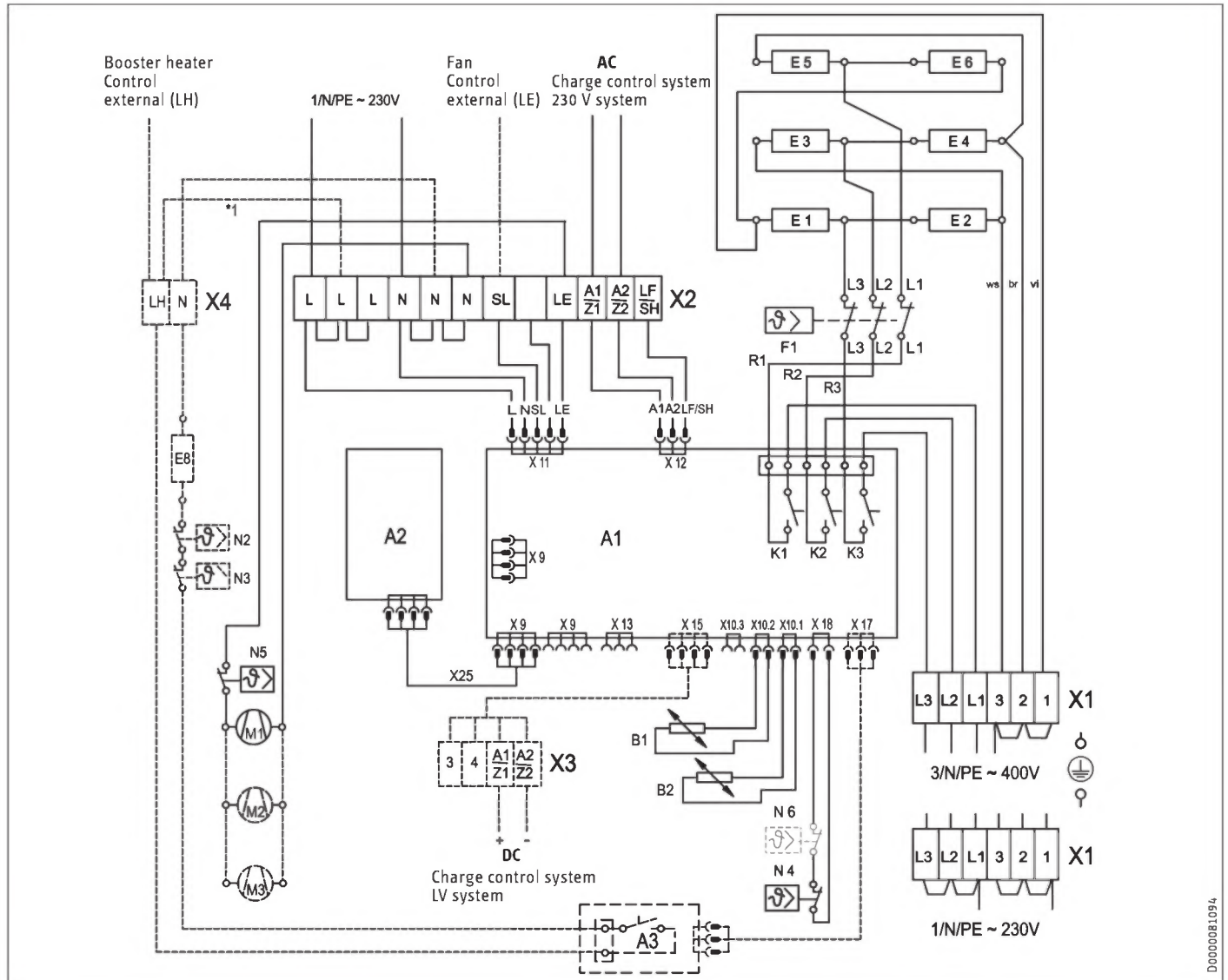


				SHF 2000	SHF 3000	SHF 4000	SHF 5000	SHF 6000	SHF 7000
a20	Appliance	Width	mm	605	780	955	1130	1305	1480
a44	Appliance	Clearance adjustable	mm	415	590	765	940	1115	1290
b02	Entry electrical cables I								
b03	Entry electrical cables II								
i32	Fixing								

INSTALLATION Specification

19.2 Wiring diagram

Material losses
Ensure that the differential in potential between connections L, L1 on the mains power side and the various control signals SL, A1, A2, LF, SH, LE and LH does not exceed 230 V.



Storage component

A1	Electronic charge/discharge controller
A2	User interface PCB
B1	Core sensor - charge
B2	Room temperature sensor - discharge
F1	High limit safety cut-out
E1 - E6	Heating element
M1 - M3	Storage heater fan
N4	Temperature limiter - charge
N5	Protective temperature controller
N6	Temperature limiter - charging level only for 6 - 7 kW
X25	Internal connecting lead A1 - A2
X1	Mains terminal
X2	Terminal

Accessories

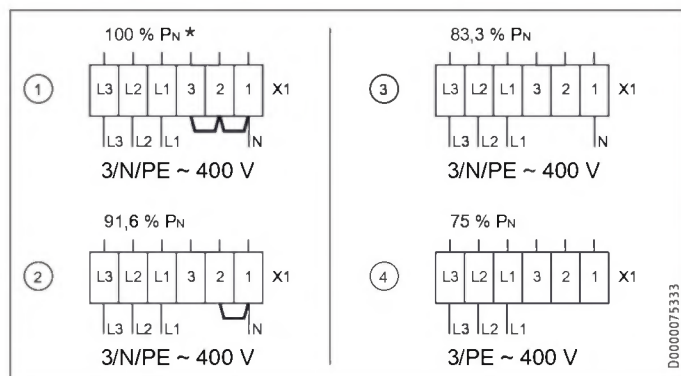
(Not part of the standard delivery. Tick the boxes to show the accessories installed.)

- DC connection**
- X3 Terminal (0.91 - 1.43 V)
- Booster heater** (internally controlled)
*1 / wire LH - L
- Booster heater** (externally controlled)
- A3 Booster heater assembly relay
- E8 Booster heater element
- N2 Temperature controller - booster heater
- N3 Temperature controller - booster heater
- X4 Terminal

INSTALLATION Specification

19.3 Reducing the connected load

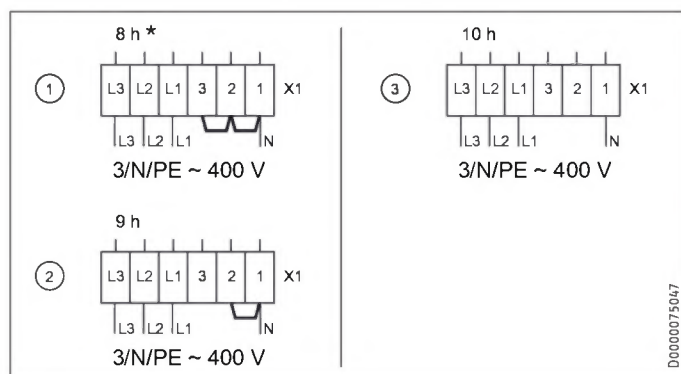
Connection versions (8 h heating element)		①	②	③	④
		100 %	91.6 %	83.3 %	75 %
Types					
SHF 2000	kW	2.00	1.83	1.67	1.50
SHF 3000	kW	3.00	2.75	2.50	2.25
SHF 4000	kW	4.00	3.66	3.33	3.00
SHF 5000	kW	5.00	4.58	4.16	3.75
SHF 6000	kW	6.00	5.50	5.00	4.50
SHF 7000	kW	7.00	6.42	5.83	5.25



* Wired in series

19.4 Output matching (nominal charge duration)

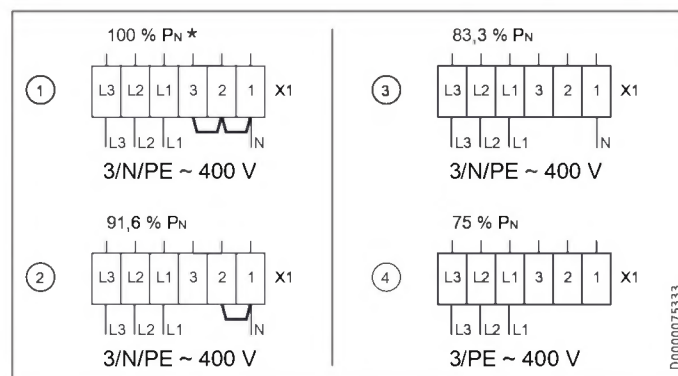
Heating element version (8 h heating element)		8 h	9 h	10 h
Nominal charge duration		8 h	9 h	10 h
Connection versions		①	②	③
Types				
SHF 2000	kW	2.00	1.83	1.67
SHF 3000	kW	3.00	2.75	2.50
SHF 4000	kW	4.00	3.66	3.33
SHF 5000	kW	5.00	4.58	4.16
SHF 6000	kW	6.00	5.50	5.00
SHF 7000	kW	7.00	6.42	5.83



* Wired in series

19.5 Reducing connected load while maintaining nominal charge duration of 8 hours

Connected loads (8 h heating element)		①	②	③	④
Connection versions		100 %	91.6 %	83.3 %	75 %
Connected loads		100 %	90 %	80 %	70 %
Charge levels selectable with parameter P8		100 %	90 %	80 %	70 %



* Wired in series

INSTALLATION Specification

19.6 Energy consumption data

The product data complies with EU regulations relating to the directive on the ecodesign of energy related products (ErP).

Product information on electric individual room heaters to regulation (EU) 2015/1188

		SHF 2000	SHF 3000	SHF 4000	SHF 5000	SHF 6000	SHF 7000
		200175	200176	200177	200178	200179	200180
Manufacturer		STIEBEL ELTRON	STIEBEL ELTRON	STIEBEL ELTRON	STIEBEL ELTRON	STIEBEL ELTRON	STIEBEL ELTRON
Heating output							
Rated heating output P_{nom}	kW	1.0	1.5	2.0	2.5	3.0	3.5
Minimum heating output (standard value) P_{min}	kW	0.0	0.0	0.0	0.0	0.0	0.0
Maximum continuous heating output $P_{max,c}$	kW	1.3	2.3	3.0	3.5	4.3	4.9
Auxiliary power consumption							
At rated heating output $e_{l,max}$	kW	0.000	0.000	0.000	0.000	0.000	0.000
At minimum heating output $e_{l,min}$	kW	0.000	0.000	0.000	0.000	0.000	0.000
In standby $e_{l,SB}$	kW	0.000	0.000	0.000	0.000	0.000	0.000
Type of control of heat supply							
Manual control of heat supply with integral thermostat		-	-	-	-	-	-
Manual control of heat supply with feedback on room and/or outside temperature		-	-	-	-	-	-
Electronic control of heat supply with feedback on room and/or outside temperature		x	x	x	x	x	x
Fan-assisted heat transfer		x	x	x	x	x	x
Type of heating output/room temperature control							
Single stage heating output, no room temperature control		-	-	-	-	-	-
Two or more manually selectable stages, no room temperature control		-	-	-	-	-	-
Room temperature control with mechanical thermostat		-	-	-	-	-	-
With electronic room temperature control		-	-	-	-	-	-
Electronic room temperature control and time of day control		-	-	-	-	-	-
Electronic room temperature control and day of week control		x	x	x	x	x	x
Other control options							
Room temperature control with motion detection		-	-	-	-	-	-
Room temperature control with window open detection		x	x	x	x	x	x
With remote control option		-	-	-	-	-	-
With adaptive control of heating start		x	x	x	x	x	x
With operating time limitation		-	-	-	-	-	-
With black bulb sensor		-	-	-	-	-	-

19.7 Data table

		SHF 2000	SHF 3000	SHF 4000	SHF 5000	SHF 6000	SHF 7000
		200175	200176	200177	200178	200179	200180
Electrical data							
Connected load	W	2000	3000	4000	5000	6000	7000
Rated voltage	V	~400	~400	~400	~400	~400	~400
Phases		3/N/PE	3/N/PE	3/N/PE	3/N/PE	3/N/PE	3/N/PE
Frequency	Hz	50/-	50/-	50/-	50/-	50/-	50/-
Rated heat-up	kWh	16	24	32	40	48	56
Electric booster heater	kW	0.35	0.5	0.8	1.0	1.2	1.5
Energy data							
Room heating seasonal efficiency η_s	%	39.5	39.5	39.5	39.5	39.5	39.5
Dimensions							
Height	mm	650	650	650	650	650	650
Width	mm	605	780	955	1130	1305	1480
Depth	mm	275	275	275	275	275	275
Weights							
Weight	kg	32	40	48	56	64	72
Weight (incl. blocks)	kg	118	169	220	271	322	373
Versions							
Colour		Alpine white	Alpine white	Alpine white	Alpine white	Alpine white	Alpine white
Values							
4-stage charge level reduction		100/90/80/70	100/90/80/70	100/90/80/70	100/90/80/70	100/90/80/70	100/90/80/70
Heat retention capability	%	48	53	55	56	58	59
Operating noise	dB(A)	30	32	33	34	34	34
Commercial attributes							
Number of stone packs		6	9	12	15	18	21

Guarantee

The guarantee conditions of our German companies do not apply to appliances acquired outside of Germany. In countries where our subsidiaries sell our products a guarantee can only be issued by those subsidiaries. Such guarantee is only granted if the subsidiary has issued its own terms of guarantee. No other guarantee will be granted.

We shall not provide any guarantee for appliances acquired in countries where we have no subsidiary to sell our products. This will not affect warranties issued by any importers.

Environment and recycling

We would ask you to help protect the environment. After use, dispose of the various materials in accordance with national regulations.

TABLE DES MATIÈRES

REMARQUES PARTICULIÈRES

UTILISATION

1. Remarques générales	27
1.1 Consignes de sécurité	27
1.2 Autres repérages utilisés dans cette documentation	28
1.3 Remarques apposées sur l'appareil	28
1.4 Unités de mesure	28
2. Sécurité	28
2.1 Utilisation conforme	28
2.2 Consignes de sécurité générales	28
2.3 Label de conformité	29
3. Description de l'appareil	29
4. Utilisation	29
4.1 Unité de commande	29
4.2 Accumulation de chaleur	30
4.3 Restitution de la chaleur	31
5. Configuration	31
5.1 Affichage par défaut	31
5.2 Menu principal	31
5.3 Menu de paramétrage	32
6. Réglages avec un régulateur de température ambiante existant monté au mur	33
6.1 Affichage par défaut	33
6.2 Menu principal	34
6.3 Menu de paramétrage	34
7. Nettoyage, entretien et maintenance	34
7.1 Nettoyage du filtre à peluches	34
8. Aide au dépannage	35

INSTALLATION

9. Sécurité	35
9.1 Consignes de sécurité générales	35
9.2 Prescriptions, normes et réglementations	35
10. Description de l'appareil	36
10.1 Mode opératoire	36
10.2 Fournitures	36
10.3 Accessoires	36
11. Travaux préparatoires	36
11.1 Lieu d'installation	36
11.2 Distances minimales	37
12. Montage	37
12.1 Ouvrir l'appareil	37
12.2 Réglage de la régulation	38
12.3 Alimentation secteur / Câbles de raccordement	38
12.4 Raccordement électrique	38
12.5 Variantes de pose	39
12.6 Mise en place des briques réfractaires	39
12.7 Nettoyage de l'appareil	40
12.8 Fermeture de l'appareil	40
13. Configuration	41
13.1 Menu de paramétrage	41
14. Mise en service	43
14.1 Contrôles avant la mise en service	43
14.2 Première mise en service	43

15. Transformation de l'appareil	43
16. Remise de l'appareil à l'utilisateur	43
17. Aide au dépannage	44
17.1 Tableau des pannes	44
17.2 Symboles de la plaque signalétique	45
18. Entretien et maintenance	45
19. Données techniques	46
19.1 Cotes et raccordements	46
19.2 Schéma électrique	47
19.3 Réduction de la puissance d'alimentation	48
19.4 Adaptation de la puissance (durée de charge nominale)	48
19.5 Réduire la puissance de raccordement en maintenant une durée de charge nominale de 8 heures	48
19.6 Indications relatives à la consommation énergétique	49
19.7 Tableau des données	50

GARANTIE

PROTECTION DE L'ENVIRONNEMENT ET RECYCLAGE

Remarques générales

REMARQUES PARTICULIÈRES

- Conservez précieusement ces instructions d'utilisation et d'installation pour les avoir à disposition en cas de besoin.
 - Veuillez tenir les enfants de moins de 3 ans éloignés de l'appareil s'ils ne sont pas sous constante surveillance.
 - L'appareil peut être allumé et éteint par des enfants âgés de 3 à 7 ans lorsqu'ils sont accompagnés ou qu'ils ont appris à l'utiliser en toute sécurité et s'ils ont compris les dangers encourus. La condition préalable est que l'appareil ait été monté comme décrit. Les enfants de 3 à 7 ans ne doivent pas régler l'appareil.
 - L'appareil peut être utilisé par des enfants de 8 ans et plus ainsi que par des personnes aux facultés physiques, sensorielles ou mentales réduites, ou par des personnes sans expérience, lorsqu'ils sont accompagnés ou qu'ils ont appris à l'utiliser en toute sécurité et s'ils ont compris les dangers encourus.
 - Ne laissez pas les enfants jouer avec l'appareil. Ni le nettoyage ni la maintenance relevant de l'utilisateur ne doivent être effectués par des enfants sans surveillance.
 - Certaines parties de l'appareil peuvent être très chaudes et causer des brûlures. La présence d'enfants ou de personnes vulnérables requiert une attention particulière.
 - Des odeurs peuvent se dégager lors de la première charge. Veillez à aérer suffisamment la pièce.
 - Respectez les distances minimales par rapport aux objets voisins ou autres matériaux inflammables (voir le chapitre « Installation / Distances minimales »).
 - Afin d'éviter la surchauffe de l'appareil, veuillez ne pas le couvrir.
- Ne placez aucun objet sur l'appareil ou à proximité immédiate. N'appuyez aucun objet contre l'appareil.
 - N'installez pas l'appareil directement sous une prise électrique murale.
 - Tenez compte des valeurs de charge nominale figurant au chapitre « Données techniques / Tableau des données ».
 - Placez l'appareil de sorte que les dispositifs de commutation et de régulation ne puissent pas être accessibles depuis une baignoire ou une douche.
 - Le raccordement au secteur n'est autorisé qu'en installation fixe. L'appareil doit pouvoir être mis hors tension par un dispositif de coupure omnipolaire ayant une ouverture minimale des contacts de 3 mm.
 - Fixez l'appareil comme indiqué dans le chapitre « Installation / Montage ».

UTILISATION

1. Remarques générales

Les chapitres « Remarques particulières » et « Utilisation » s'adressent aux utilisateurs de l'appareil et aux installateurs.

Le chapitre « Installation » s'adresse aux installateurs.

**Remarque**

Lisez attentivement cette notice avant utilisation et conservez-la soigneusement.

Remettez cette notice à tout nouvel utilisateur le cas échéant.

1.1 Consignes de sécurité




1.1.1 Structure des consignes de sécurité



MENTION D'AVERTISSEMENT Nature du danger
Sont indiqués ici les risques éventuellement encourus en cas de non-respect de la consigne de sécurité.

► Indique les mesures permettant de prévenir le danger.

1.1.2 Symboles, nature du danger

Symbole	Nature du danger
	Blessure
	Électrocution
	Brûlure (brûlure, ébullition)

1.1.3 Mentions d'avertissement

MENTION D'AVERTISSEMENT	Signification
DANGER	Caractérise des remarques dont le non-respect entraîne de graves lésions, voire la mort.
AVERTISSEMENT	Caractérise des remarques dont le non-respect peut entraîner de graves lésions, voire la mort.
ATTENTION	Caractérise des remarques dont le non-respect peut entraîner des lésions légères ou moyennement graves.



1.2 Autres repérages utilisés dans cette documentation



Remarque

Le symbole ci-contre caractérise des remarques générales.

- Lisez attentivement les remarques.

Symbole	Signification
	Dommages matériels (dommages subis par l'appareil, dommages indirects et pollution de l'environnement)
	Recyclage de l'appareil

- Ce symbole signale une action à entreprendre. Les actions nécessaires sont décrites étape par étape.

1.3 Remarques apposées sur l'appareil

Symbole	Signification
	Ne pas couvrir l'appareil

1.4 Unités de mesure



Remarque

Sauf indication contraire, toutes les cotes sont indiquées en millimètres.

2. Sécurité

2.1 Utilisation conforme

Cet appareil est conçu pour le chauffage de pièces d'habitation.

L'appareil est prévu pour une utilisation domestique. Il peut être utilisé sans risque par des personnes qui ne disposent pas de connaissances techniques particulières. L'appareil peut également être utilisé dans un environnement non domestique, par exemple dans de petites entreprises, à condition que son utilisation soit de même nature.

Tout autre emploi est considéré comme non conforme. Une utilisation conforme de l'appareil implique également le respect de cette notice et de celles des accessoires utilisés.

2.2 Consignes de sécurité générales

Respectez les consignes de sécurité et les instructions énoncées ci-après.

- L'installation électrique et l'installation de l'appareil ne doivent être effectuées que par un installateur ou un technicien de notre service après-vente conformément à ces instructions.
- L'installateur est responsable du respect des prescriptions applicables lors de l'installation et de la première mise en service.
- N'utilisez cet appareil que s'il est installé dans son intégralité et doté de tous les dispositifs de sécurité.



AVERTISSEMENT Blessure

- Veuillez tenir les enfants de moins de 3 ans éloignés de l'appareil s'ils ne sont pas sous constante surveillance.
- L'appareil peut être allumé et éteint par des enfants âgés de 3 à 7 ans lorsqu'ils sont accompagnés ou qu'ils ont appris à l'utiliser en toute sécurité et s'ils ont compris les dangers encourus. La condition préalable est que l'appareil ait été monté comme décrit. Les enfants de 3 à 7 ans ne doivent pas régler l'appareil.
- L'appareil peut être utilisé par des enfants de 8 ans et plus ainsi que par des personnes aux facultés physiques, sensorielles ou mentales réduites, ou par des personnes sans expérience, lorsqu'ils sont accompagnés ou qu'ils ont appris à l'utiliser en toute sécurité et s'ils ont compris les dangers encourus.
- Ne laissez pas les enfants jouer avec l'appareil. Ni le nettoyage ni la maintenance relevant de l'utilisateur ne doivent être effectués par des enfants sans surveillance.

Description de l'appareil



AVERTISSEMENT Brûlure

N'utilisez pas l'appareil :

- si les distances minimales aux surfaces d'objets voisins ou autres objets inflammables ne sont pas suffisantes ;
- dans les locaux où existe un risque d'incendie ou d'explosion en raison de la présence de produits chimiques, poussières, gaz ou vapeurs. Avant le rechargement, aérez suffisamment le local ;
- à proximité immédiate de conduites ou récipients susceptibles de contenir ou de transporter des matériaux inflammables ou explosibles ;
- si des travaux de pose, de ponçage, de vitrification sont exécutés dans le local où l'appareil est installé ;
- si un composant de l'appareil est endommagé ou si un dysfonctionnement survient.



AVERTISSEMENT Brûlure

- Ne placez pas d'objets ou de substances combustibles ou inflammables ni thermo-isolants sur l'appareil ou dans sa proximité immédiate. N'appuyez aucun objet contre l'appareil. De la chaleur risque de s'accumuler et de porter la surface de l'habillage et les objets à une température excessive.
- Veillez à ne jamais bloquer les ouvertures d'arrivée et de sortie d'air.
- N'intercalez pas d'objet entre l'appareil et le mur.



ATTENTION Brûlure

La surface des habillages de l'appareil et l'air rejeté peuvent être très chauds lorsque l'appareil est en service (plus de 80 °C) et causer des brûlures. La présence d'enfants ou de personnes vulnérables requiert une attention particulière.



AVERTISSEMENT Surchauffe

Afin d'éviter la surchauffe de l'appareil, veuillez ne pas le couvrir.

2.3 Label de conformité

Voir la plaque signalétique sur l'appareil. La plaque signalétique se trouve sur la paroi latérale gauche de l'appareil.

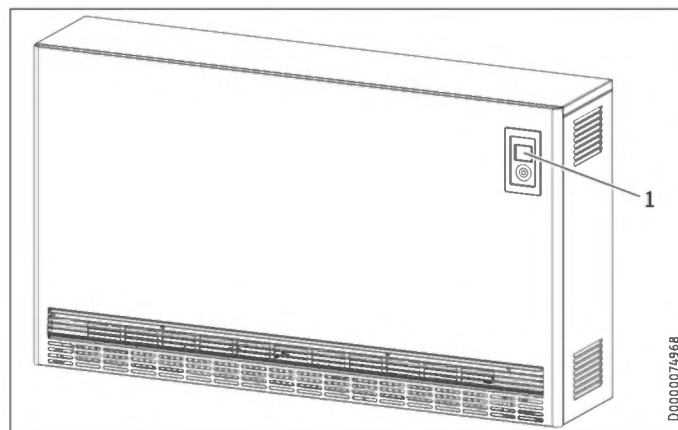
3. Description de l'appareil

Cet appareil accumule de la chaleur produite électriquement. La chaleur électrique est produite à un tarif préférentiel pendant les heures creuses.

Les heures creuses sont définies par le distributeur d'électricité. Elles se situent généralement la nuit.

En fonction de la température ambiante souhaitée, la chaleur accumulée est restituée dans le local sous forme d'air chaud par une soufflante et, dans une moindre mesure, par le biais de la surface de l'appareil.

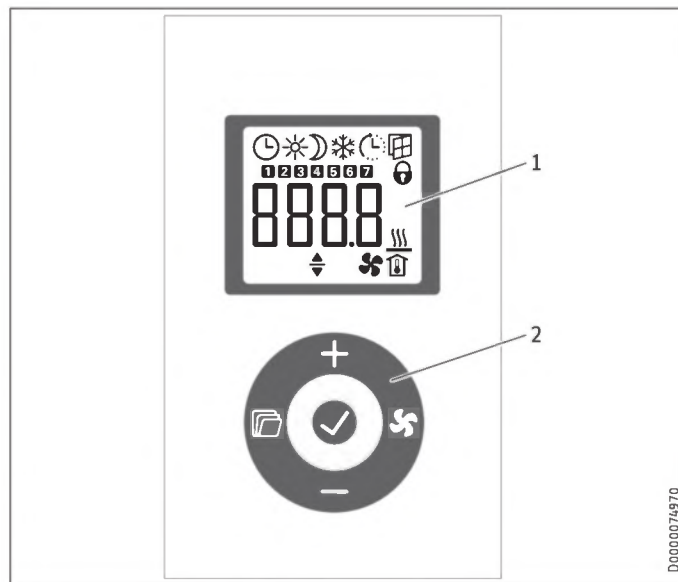
4. Utilisation



1 Unité de commande

4.1 Unité de commande

La commande s'effectue à l'aide de l'unité de commande qui est logée dans la façade en haut à droite.



1 Affichage

2 Module de commande

4.1.1 Module de commande

Touche	Dénomination	Description
	Touche « Ventilateur »	Mise en marche et arrêt de la soufflante
	Touche « OK »	Sélection ; Confirmation des réglages
	Touche « Menu »	Appeler et quitter les menus
	Touche « + »	Accès aux rubriques des menus ; Modification des réglages
	Touche « - »	Accès aux rubriques des menus ; Modification des réglages

UTILISATION

Utilisation

4.1.2 Affichage

En l'absence d'action de l'utilisateur pendant 20 secondes, le rétro-éclairage s'éteint. Appuyez sur une touche quelconque pour réactiver le rétro-éclairage.

Symboles



Remarque

Tous les symboles ne sont pas affichés lorsque la restitution de chaleur (décharge) est régulée par un régulateur de température ambiante monté au mur.

Symbole	Description
	Horloge : Affichage de l'heure actuelle ou d'une heure de démarrage programmée Mode programmeur : L'appareil chauffe en fonction du programme de temporisation en cours.
	Mode confort : L'appareil régule à la température de confort préréglée. Par défaut : 21 °C. Conserver ce réglage pour une température ambiante de confort quand la pièce est occupée.
	Mode réduit : L'appareil régule à la température réduite préréglée. Par défaut : 18 °C. Utilisez ce réglage la nuit ou lorsque les occupants s'absentent plusieurs heures.
	Démarrage adapté : En mode programmeur, l'heure de démarrage du convecteur est adaptée en fonction de la durée nécessaire pour atteindre la température ambiante de consigne à l'heure programmée. Condition requise : la fonction « Démarrage adapté » est activée (voir chapitre « Réglages / Menu principal »).
	Détection de fenêtre ouverte : Pour éviter de consommer de l'énergie inutilement lors de l'aération des pièces, l'appareil baisse automatiquement la consigne de température ambiante pendant une heure à 7,0 °C lorsqu'une fenêtre est ouverte. L'icône « Détection de fenêtre ouverte » clignote. Vous pouvez quitter manuellement le mode de détection de fenêtre ouverte après l'aération en appuyant sur l'une des touches « + » ou « OK ». L'appareil chauffe de nouveau le local jusqu'à atteindre la température ambiante de consigne préréglée. Condition requise : La détection de fenêtre ouverte est activée (voir chapitre « Réglages / Menu principal »).
	Verrouillage des commandes : Pour verrouiller ou déverrouiller l'unité de commande, maintenez les touches « + » et « - » enfoncées pendant 5 secondes.
	Autorisation du chauffage d'appoint (en accessoire) : Lorsque la quantité de chaleur de l'accumulateur ne suffit plus au chauffage d'une pièce, le chauffage d'appoint chauffe en complément.
	Affichage de la température ambiante
	Autorisation de la soufflante active : Lorsque la température ambiante baisse en dessous de la consigne définie pour la température ambiante, la soufflante se met en marche et insuffle de l'air chauffé dans la pièce jusqu'à ce que la température réglée soit atteinte.
	Paramètre modifiable : Le paramètre affiché peut être modifié à l'aide des touches « + » ou « - ».
	Jours de la semaine : 1 = lundi, 2 = mardi... 7 = dimanche

4.2 Accumulation de chaleur

Le degré de chaleur accumulée (charge) est défini par la régulation de charge.

Les réglages auxquels vous devez procéder au niveau du régulateur de charge dépendent de la présence ou non d'une commande centralisée de la charge en fonction des conditions climatiques.

Cette centrale de commande de charge se trouve dans l'armoire électrique.

4.2.1 Appareils avec commande de charge en fonction des conditions climatiques

- ▶ Ouvrez le menu de base avec la touche « Menu » et appuyez sur la touche « OK ».
- ▶ Dès que le symbole « Paramètre modifiable » apparaît, réglez le dispositif d'abaissement du degré de charge sur 100 % à l'aide des touches « + » et « - ».



Remarque

Réglez le dispositif d'abaissement du degré de charge à l'aide des touches « + » et « - » dans l'affichage standard lorsque la restitution de chaleur (décharge) est régulée par un régulateur de température ambiante monté au mur.

La commande de charge pilotée en fonction des conditions climatiques assure une accumulation idéale.



Remarque

Tenez compte de la notice de la commande de charge ou de l'unité de commande groupée à ce sujet.

Outre les différentes régulations des divers appareils, vous avez la possibilité de procéder à un ajustement manuel de l'accumulation via le dispositif d'abaissement du degré de charge.

Il n'y aura pas de charge si vous réglez le dispositif d'abaissement du degré de charge sur 0 %.

4.2.2 Appareils sans commande de charge pilotée en fonction des conditions climatiques

La quantité d'accumulation est réglée par le dispositif d'abaissement du degré de charge.

- ▶ Ouvrez le menu de base avec la touche « Menu » et appuyez sur la touche « OK ».
- ▶ Dès que le symbole « Paramètre modifiable » apparaît, réglez le dispositif d'abaissement du degré de charge à l'aide des touches « + » et « - ».



Remarque

Réglez le dispositif d'abaissement du degré de charge à l'aide des touches « + » et « - » dans l'affichage standard lorsque la restitution de chaleur (décharge) est régulée par un régulateur de température ambiante monté au mur.

UTILISATION

Configuration

Les valeurs indicatives suivantes s'appliquent :

Valeur	Quantité d'accumulation
0 %	Pas de charge (en été)
30 %	1/3 env. de la charge complète pour l'entre-saison (printemps, automne)
70 %	2/3 env. de la charge complète pour les journées douces en hiver
100 %	Charge complète pour les journées d'hiver froides

Après une courte période de familiarisation, vous aurez acquis l'expérience nécessaire pour effectuer le réglage correct.

4.3 Restitution de la chaleur

La restitution de chaleur (décharge) est réglée par un régulateur de température ambiante intégré à l'appareil ou par un régulateur de température ambiante 2 points monté au mur (voir le chapitre « Accessoires »).

Le régulateur de température ambiante régule automatiquement la restitution de la chaleur par la soufflante de manière à ce que la consigne de température ambiante reste constante. L'autorisation de la soufflante doit être activée pour que la soufflante puisse fonctionner.



Remarque

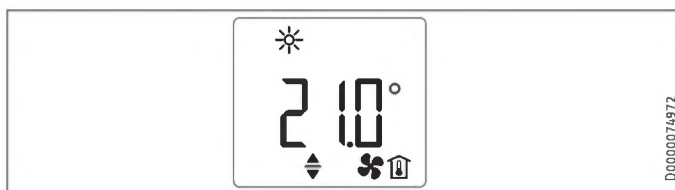
Pendant une absence de plusieurs jours durant la période de chauffage, il est judicieux de régler une température ambiante réduite (10 °C par ex.). Ce réglage évite un refroidissement excessif du local (protection hors gel).

4.3.1 Mise en marche et arrêt de la soufflante

► Appuyez sur la touche « Ventilateur » pour activer ou désactiver l'autorisation de la soufflante. Lorsque l'autorisation de la soufflante est activée, le symbole du ventilateur apparaît à l'affichage.

5. Configuration

5.1 Affichage par défaut



L'écran par défaut reste affiché en permanence. Si vous vous trouvez dans le menu et n'effectuez aucune commande pendant 20 secondes, l'appareil repasse automatiquement à l'affichage par défaut.

Celui-ci affiche la température ambiante de consigne actuelle ainsi que l'icône « Paramètre modifiable ». Vous pouvez modifier cette température de consigne à l'aide des touches « + » et « - ».

Lorsque la température ambiante de consigne correspond à la valeur préréglée pour la température de confort ou réduite, l'icône correspondant au mode de fonctionnement s'affiche dans la barre de menu (confort ou réduit).

La température ambiante de consigne peut également être modifiée en mode programmeur. La température ambiante de consigne est maintenue jusqu'à la fin de la plage horaire programmée.

5.2 Menu principal

Pour accéder au menu principal, appuyez brièvement sur la touche « Menu ». Vous pouvez alors accéder aux rubriques suivantes :

Affichage	Description
	Réglage du dispositif d'abaissement du degré de charge Une adaptation manuelle de la quantité d'accumulation par pas de 10 % est possible pour les jours où les besoins en chaleur sont faibles.
	Réglage du jour de la semaine et de l'heure
	Réglage de la température de confort La température de confort doit être supérieure d'au moins 0,5 °C à la température réduite.
	Réglage de la température réduite La température de réduit doit être réglée sur une valeur inférieure d'au moins 0,5 °C à celle de la température de confort.
	Activation /désactivation de la fonction « Détection de fenêtre ouverte »
	Sélection ou désactivation (off) du programme de temporisation (Pro1, Pro2, Pro3)
	Activation / désactivation de la fonction « Démarrage adapté »
	Mise en marche ou arrêt du chauffage d'appoint (accessoire)

Si vous souhaitez modifier les valeurs d'une rubrique de menu, appelez celle-ci à l'aide des touches « + » et « - ». Appuyez sur la touche « OK ».

La modification par les touches « + » et « - » est possible si l'icône « Paramètre modifiable » est affichée. Appuyez sur la touche « OK » pour enregistrer le réglage.

Pour quitter le menu principal, appuyez sur la touche « Menu ». L'affichage standard apparaît.

5.3 Menu de paramétrage

Affichage	Description
I1-I2	Valeurs réelles
Pro1-Pro3	Programmes de temporisation
P1-P5	Paramètres
CodE	Accès installateur

Dans le menu de paramétrage, vous pouvez accéder aux valeurs réelles, configurer les programmations et définir les paramètres.

Pour accéder au menu de paramétrage, maintenez la touche « Menu » appuyée. La valeur réelle I1 s'affiche au bout de 3 secondes env.

Vous pouvez naviguer entre les différentes valeurs réelles et entre les différents programmes et paramètres à l'aide des touches « + » et « - ».

Pour quitter le menu de paramétrage, appuyez sur la touche « Menu ». L'affichage standard apparaît.

5.3.1 Valeurs réelles

Vous pouvez accéder aux valeurs réelles suivantes :

Affichage	Description	Unité
I1	Valeur réelle de la température ambiante	[°C] [°F]
I2	Temps de chauffe relatif (le paramètre P5 permet de réinitialiser ce compteur)	[h]



Remarque

Le compteur du temps de chauffe relatif (I2) additionne le temps de charge en heures complètes de fonctionnement. Le compteur incrémente d'une unité lorsque l'appareil a chargé pendant une heure complète (même si c'était en plusieurs fois).

5.3.2 Programmes de temporisation

Vous disposez de 3 programmes pour le fonctionnement en mode programmeur. Les programmes Pro1 et Pro2 sont préconfigurés en usine. Vous pouvez définir le programme Pro3 selon vos besoins personnels.

Affichage	Description
Pro1	Programme « tous les jours » - répétition : du lundi au dimanche
Pro2	Programme « jours ouvrables » - répétition : du lundi au vendredi
Pro3	Programme « personnalisé » - jusqu'à 14 phases de confort en configuration libre



Remarque

Si vous désirez utiliser le programmeur, vous devez choisir le programme qui vous convient dans le menu principal (voir chapitre « Réglages / Menu principal »).



Remarque

Lors de la programmation, assurez-vous que l'heure et le jour de la semaine actuels sont corrects.



Remarque

La remarque suivante est valable pour chacun des programmes (Pro1, Pro2, Pro3) : si la plage programmée se termine après 23 h 59, la fin sera automatiquement reportée au jour suivant. La plage de confort sera maintenue après minuit et se terminera le lendemain à l'heure programmée.

Programmes Pro1 et Pro2

Les programmes Pro1 et Pro2 permettent de définir les horaires de début et de fin du mode confort. Durant cette période, l'appareil chauffe à la température de confort préréglée. En dehors de cette plage, il fonctionne en mode réduit. Vous pouvez ainsi programmer une phase confort et une phase de fonctionnement à température réduite pour tous les jours de la semaine (Pro1) ou tous les jours ouvrables (Pro2).

La configuration usine est la suivante :

- de 08 h 00 à 22 h 00 : mode confort
- de 22 h 00 à 08 h 00 : mode réduit



Remarque

Si le programme Pro2 est activé, l'appareil fonctionne exclusivement en mode réduit pendant le week-end.

Procédez comme suit pour adapter les programmes Pro1 et Pro2 à vos besoins :

- ▶ Dans le menu de paramétrage, appelez le programme souhaité à l'aide des touches « + » et « - ».
- ▶ Appuyez sur la touche « OK ».
L'heure de début du mode confort s'affiche.
- ▶ Programmez l'heure de début souhaitée à l'aide des touches « + » et « - ».
- ▶ Appuyez sur la touche « OK ».
L'heure de fin du mode confort s'affiche.
- ▶ Programmez l'heure de fin souhaitée à l'aide des touches « + » et « - ».
- ▶ Appuyez sur la touche « OK » pour enregistrer.

Programme Pro3

Avec le programme Pro3, vous pouvez définir jusqu'à 14 plages horaires de mode confort séparées, celles-ci se répétant à l'identique d'une semaine sur l'autre.

Procédez comme suit pour paramétrer une plage de confort dans le programme Pro3 :

- ▶ Dans le menu de paramétrage, appelez le programme Pro3 à l'aide des touches « + » et « - ».
- ▶ Appuyez sur la touche « OK ».
L'écran affiche « 3--- ».
- ▶ Appuyez sur la touche « OK ».
L'écran affiche un jour / un groupe de jours de la semaine.

- ▶ Définissez le jour / le groupe de jours de la semaine souhaité à l'aide des touches « + » et « - ».
- ▶ Appuyez sur la touche « OK ». L'heure de début du mode confort s'affiche.
- ▶ Programmez l'heure de début souhaitée à l'aide des touches « + » et « - ».
- ▶ Appuyez sur la touche « OK ». L'heure de fin du mode confort s'affiche.
- ▶ Programmez l'heure de fin souhaitée à l'aide des touches « + » et « - ».
- ▶ Appuyez sur la touche « OK ». La plage de confort « 3-01 » est paramétrée.
- ▶ Pour paramétrer une plage de confort supplémentaire, choisissez l'affichage « 3-- » à l'aide des touches « + » et « - ». Procédez ensuite comme décrit plus haut.



Remarque

Activez le paramètre P4 pour réinitialiser les phases confort programmées.

- ▶ À noter que tous les programmes de temporisation (Pro1, Pro2, Pro3) sont réinitialisés à leur configuration d'origine par l'activation du paramètre P4.

5.3.3 Paramètres

Vous pouvez accéder aux paramètres suivants :

Affi-charge	Description	Options
P1	Décalage température ambiante	±3 °C ±5 °F
P2	Format de l'heure	12 h 24 h
P3	Unité de température	°C °F
P4	Réinitialiser les programmes (mode programmation).	on off
P5	Réinitialisation du temps de chauffe relatif	on off

Si vous souhaitez modifier la valeur d'un paramètre, appelez celui-ci à l'aide des touches « + » et « - ». Appuyez sur la touche « OK ».

Dès que l'icône « Paramètre modifiable » s'affiche, vous pouvez modifier la valeur à l'aide des touches « + » et « - ». Appuyez sur la touche « OK » pour enregistrer la valeur paramétrée.

P1: Décalage température ambiante

Une répartition irrégulière de la température dans le local peut être à l'origine d'un écart entre la température réelle l1 et celle que vous mesurez. Pour compenser cet écart, le paramètre P1 vous permet de définir un décalage par rapport à la température ambiante de ±3 °C.

Exemple : L'appareil affiche l1 = 21,0 °C. Vous avez mesuré une température de 20,0 °C. L'écart constaté est de 1,0 °C.

- ▶ Pour compenser cet écart, vous devez définir un décalage de P1 = -1,0.

P2: Format de l'heure

Le paramètre P2 vous permet de définir le format horaire sur 12 ou 24 heures.

P3: Unité de température

Avec le paramètre P3, il est possible de définir l'unité d'affichage de la température ambiante : degrés Celsius [°C] ou degrés Fahrenheit [°F].

P4: Réinitialisation des programmes de temporisation

En activant le paramètre P4, vous réinitialisez tous les programmes à leur configuration d'origine.

P5: Réinitialisation du temps de chauffe relatif

En activant le paramètre P5, vous réinitialisez le compteur du temps de chauffe relatif (l2).

5.3.4 Accès installateur

Affi-charge	Description
CodE	Accès installateur



Remarque

Certaines options du menu sont protégées par un code et ne peuvent être consultées et réglées que par un installateur.

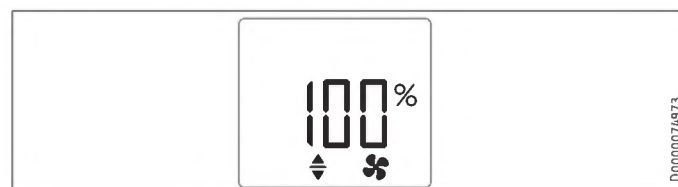
6. Réglages avec un régulateur de température ambiante existant monté au mur



Remarque

Si vous réglez la restitution de chaleur (décharge) par un régulateur de température ambiante monté au mur, vous ne disposez que de possibilités de réglage très restreintes sur l'appareil.

6.1 Affichage par défaut



L'écran par défaut reste affiché en permanence. Si vous vous trouvez dans le menu et n'effectuez aucune commande pendant 20 secondes, l'appareil repasse automatiquement à l'affichage par défaut.

L'affichage standard indique le réglage actuel du dispositif d'abaissement du degré de charge ainsi que l'icône « Paramètre modifiable ». Une adaptation manuelle de la quantité d'accumulation par pas de 10 % est possible à l'aide des touches « + » et « - » pour les jours aux faibles besoins de chaleur.

6.2 Menu principal



Remarque

Vous ne pouvez ouvrir le menu de base que si votre appareil est équipé d'un chauffage d'appoint (accessoire).

Pour accéder au menu principal, appuyez brièvement sur la touche « Menu ».

Affichage	Description
	Mise en marche ou arrêt du chauffage d'appoint (accessoire) Même en présence d'un régulateur de température ambiante monté au mur équipé d'un interrupteur du chauffage d'appoint, le chauffage d'appoint doit être activé dans le menu de base.

Appuyez sur la touche « OK » si vous souhaitez modifier les valeurs d'une rubrique de menu.

La modification par les touches « + » et « - » est possible si l'icône « Paramètre modifiable » est affichée. Appuyez sur la touche « OK » pour enregistrer le réglage.

Pour quitter le menu principal, appuyez sur la touche « Menu ». L'affichage standard apparaît.

6.3 Menu de paramétrage

Affichage	Description
I2	Valeur réelle
P5	Paramètres
CodE	Accès installateur

Pour accéder au menu de paramétrage, maintenez la touche « Menu » appuyée. La valeur réelle I2 s'affiche au bout de 3 secondes env.

Vous pouvez naviguer entre la valeur réelle et le paramètre à l'aide des touches « + » et « - ».

Pour quitter le menu de paramétrage, appuyez sur la touche « Menu ». L'affichage standard apparaît.

6.3.1 Valeur réelle

Affichage	Description	Unité
I2	Temps de chauffe relatif (le paramètre P5 permet de réinitialiser ce compteur)	[h]



Remarque

Le compteur du temps de chauffe relatif (I2) additionne le temps de charge en heures complètes de fonctionnement. Le compteur incrémente d'une unité lorsque l'appareil a chargé pendant une heure complète (même si c'était en plusieurs fois).

6.3.2 Paramètres

Affichage	Description	Options
P5	Réinitialisation du temps de chauffe relatif En activant le paramètre P5, vous réinitialisez le compteur du temps de chauffe relatif (I2).	on off

Appuyez sur la touche « OK » si vous souhaitez modifier les valeurs du paramètre.

La modification du paramètre par les touches « + » et « - » est possible dès que l'icône « Paramètre modifiable » est affichée. Appuyez sur la touche « OK » pour enregistrer le réglage.

6.3.3 Accès installateur

Affichage	Description
CodE	Accès installateur



Remarque

Certaines options du menu sont protégées par un code et ne peuvent être consultées et réglées que par un installateur.

7. Nettoyage, entretien et maintenance



Dommages matériels

- Ne vaporisez pas de nettoyant en spray dans la fente de passage d'air.
- Évitez toute pénétration d'humidité dans l'appareil.

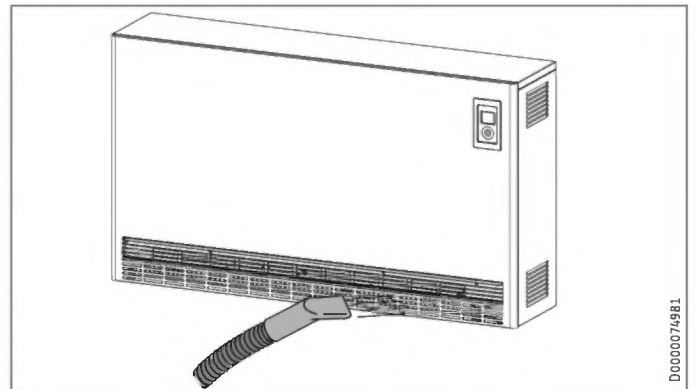
- Si une légère coloration brune apparaît sur l'enveloppe de l'appareil, éliminez-la en frottant avec un chiffon humide.
- Nettoyez l'appareil avec des produits d'entretien usuels lorsqu'il a refroidi. Évitez les produits d'entretien abrasifs et corrosifs.

7.1 Nettoyage du filtre à peluches



Remarque

Nettoyez régulièrement le filtre à peluches situé derrière l'arrivée d'air. Vous garantissez ainsi une décharge de l'appareil sans défauts. Arrêtez le ventilateur si le filtre à peluches est très encrassé.



- ▶ Nettoyez le filtre à peluches situé derrière l'arrivée d'air avec un aspirateur.

8. Aide au dépannage

Problème	Cause	Remède
L'appareil ne chauffe pas.	La charge n'a pas été définie ou bien elle est réglée trop bas.	Réglez sur une charge plus élevée.
	La température réglée sur l'appareil est trop basse.	Contrôlez le réglage de température ambiante. Adaptez le réglage si nécessaire.
	L'autorisation de la soufflante est désactivée.	Activez l'autorisation de la soufflante.
	Pas d'alimentation électrique.	Vérifiez le fusible du circuit et le disjoncteur différentiel du tableau électrique de la maison.
Le local n'est pas suffisamment chauffé bien que l'appareil soit chaud.	Surchauffe. Le limiteur de sécurité limite la puissance de chauffe.	Éliminez la cause (encrassement ou obstacles à l'entrée ou à la sortie d'air). Respectez les distances minimales !
	La puissance de l'appareil ne permet pas de couvrir les besoins de chaleur du local.	Éliminez les déperditions calorifiques (fermez les fenêtres et les portes. Évitez d'aérer en permanence.)
Malgré un temps doux, l'appareil fournit une forte chaleur.	Mauvais réglage de la commande de charge et /ou du régulateur de charge.	Ajustez les réglages.
Le local est trop chaud.	La température réglée sur l'appareil est trop élevée.	Contrôlez le réglage de température ambiante. Adaptez le réglage si nécessaire.
L'appareil ne restitue pas la chaleur.	Le filtre à peluches est obstrué.	Voir le chapitre « Nettoyage, entretien et maintenance ».
La détection de fenêtre ouverte ne réagit pas.	L'appareil ne détecte pas une chute de température importante due à l'aération. (La détection de fenêtre ouverte présume une température ambiante stable.)	Après réglage de l'appareil, attendez que la température ambiante se soit entièrement stabilisée.
		Évitez la présence d'obstacles entravant la circulation d'air entre l'appareil et le local. Verrouillez la soufflante pour la durée de la ventilation.
La fonction « Démarrage adapté » ne fonctionne pas comme prévu.	Cette fonction n'a d'effet qu'en mode programmeur.	Utilisez le mode programmeur pour obtenir un confort optimal.
	La température ambiante fluctue fortement / la procédure d'apprentissage n'est pas achevée.	Attendez quelques jours que le système se soit stabilisé.
	La fonction « Démarrage adapté » n'est pas activée.	Activez la fonction « Démarrage adapté » dans le menu principal.
L'écran affiche « E1 », « E2 » ou « E3 ».	Une erreur interne a été détectée.	Veillez en informer votre installateur.



Remarque

Les modifications et les actions correctives sur la commande de charge ne seront perceptibles qu'après un nouveau cycle de charge.

Appelez votre installateur si vous ne réussissez pas à résoudre le problème. Pour obtenir une aide efficace et rapide, communiquez-lui le numéro indiqué sur la plaque signalétique (000000-0000-000000).

INSTALLATION

9. Sécurité

L'installation, la mise en service, la maintenance et les réparations de cet appareil doivent exclusivement être confiées à un installateur.

9.1 Consignes de sécurité générales

Nous ne garantissons le bon fonctionnement et la sécurité de fonctionnement de l'appareil que si les accessoires et pièces de rechange utilisés sont d'origine.

9.2 Prescriptions, normes et réglementations



AVERTISSEMENT Électrocution

Exécutez tous les travaux de raccordement et d'installation électriques conformément aux prescriptions.



AVERTISSEMENT Électrocution

Le raccordement au secteur doit être réalisé exclusivement sous la forme d'un raccordement fixe.

L'appareil doit pouvoir être mis hors tension par un dispositif de coupure omnipolaire ayant une ouverture minimale des contacts de 3 mm.



Domages matériels

Tenez compte des indications de la plaque signalétique. La tension indiquée doit correspondre à la tension du secteur.

Dimensionnez tous les équipements en fonction de la puissance absorbée nominale des appareils.



Domages matériels

Fixez l'appareil au mur ou au sol de manière à assurer sa stabilité statique.



Domages matériels

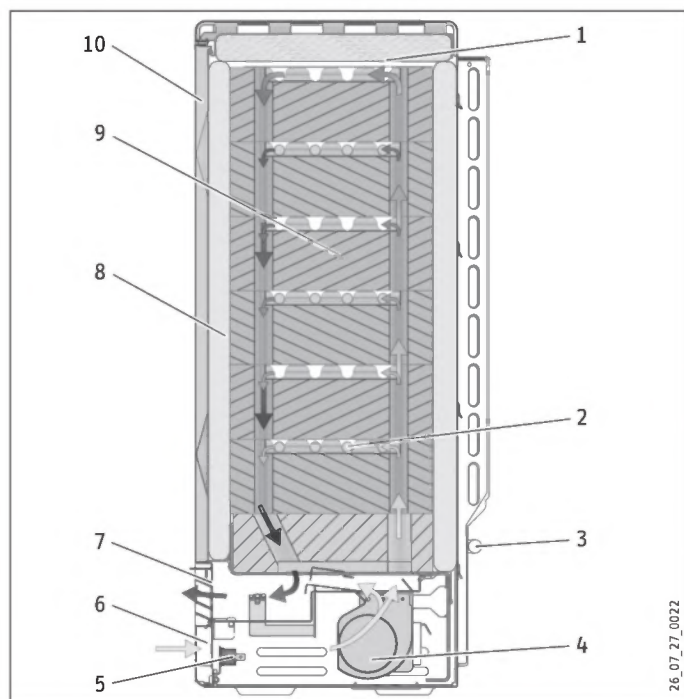
- N'installez pas l'appareil directement sous une prise électrique murale.
- Veillez à ce que le câble d'alimentation ne soit en contact avec aucune pièce de l'appareil.



Domages matériels

Respectez toutes les prescriptions et réglementations nationales et locales en vigueur.

10. Description de l'appareil



- 1 Tôle de recouvrement
- 2 Corps de chauffe
- 3 Sonde d'ambiance
- 4 Turbine (M1)
- 5 Thermostat de protection (N5)
- 6 Aspiration d'air
- 7 Sortie d'air
- 8 Isolation
- 9 Briques réfractaires
- 10 Paroi avant et paroi avant interne

10.1 Mode opératoire

Les rangées de briques réfractaires sont chauffées par des résistances intercalées. Le régulateur de charge définit la charge. Le début et la fin de charge sont déterminés par la société distributrice d'électricité.

Deux thermostats de protection intégrés et un limiteur de sécurité thermostatique préviennent toute surchauffe de l'appareil. Alors que les thermostats de protection se réactivent automatiquement, le limiteur de sécurité doit être réarmé en appuyant sur le bouton se trouvant en son milieu après avoir éliminé la cause du défaut.

La chaleur accumulée est également partiellement restituée au-dessus de l'appareil à l'aide d'une turbine. Pour cela, l'air ambiant est aspiré par l'orifice d'arrivée d'air par la soufflante et pulsé au travers des conduits d'air des briques réfractaires où il se réchauffe.

Avant de sortir par la grille de sortie d'air, cet air brûlant est mélangé avec de l'air ambiant plus froid en passant par deux clapets mélangeurs, de manière à ce que la température maximale admissible de sortie ne soit pas dépassée. La position du clapet mélangeur et par conséquent la proportion air chaud / air froid, est réglée par un thermostat bimétallique.

10.2 Fournitures

Sont fournis avec l'appareil :

- Briques réfractaires

10.3 Accessoires

- Thermostat d'ambiance 2 points (régulation de décharge)
- Chauffage d'appoint
- Kit de montage DC Control Input (commande de charge à signal pilote CC)

11. Travaux préparatoires



Dommages matériels

Il faut s'assurer qu'une différence de potentiel de 230 V max. soit maintenue entre toutes les connexions côté tension de réseau L, L1 et les différents signaux pilotes SL, A1, A2, LF, SH, LE et LH.



Remarque

Une tension permanente doit être appliquée sur les bornes L et N de la barrette à bornes X2.



Remarque

Si l'appareil est raccordé à une commande de charge automatique (EAC 4 p. ex.), cette commande de charge doit être réglée pour un régulateur électronique de charge sans correction de tension.

11.1 Lieu d'installation



AVERTISSEMENT Brûlure

- Assurez-vous que le mur où est fixé l'appareil résiste à une température de 85 °C et le sol à 80 °C.
- Respectez les distances minimales d'espacement avec les objets avoisinants.



Remarque

Si l'appareil est placé dans des locaux où des odeurs de gaz d'échappement, de mazout ou d'essence sont dégagées ou dans lesquels des solvants et produits chimiques sont manipulés, le fonctionnement de l'appareil peut entraîner des mauvaises odeurs ou des souillures tenaces sur l'appareil.



Dommages matériels

L'appareil doit être installé à fleur du mur.

La surface où est posé l'appareil doit être plane et suffisamment porteuse. Référez-vous au chapitre « Données techniques / Tableau des données » pour obtenir des informations sur le poids de l'appareil.

- En cas de doute, adressez-vous à un expert en construction.

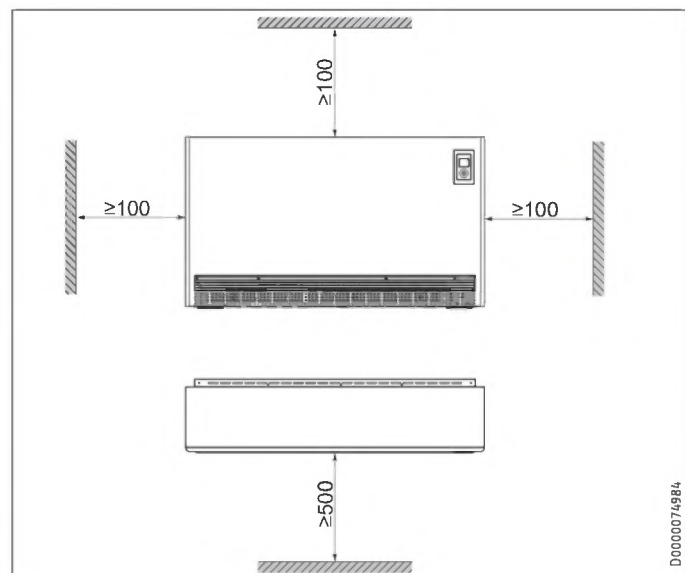
INSTALLATION

Montage

Les appareils peuvent être posés sur tout type de sol. Toutefois, des altérations peuvent apparaître sous l'effet de la pression ou de la chaleur au niveau des pieds sur des sols en PVC, parquet et moquettes à fibres longues ou courtes. Il faut utiliser dans de tels cas des plaques de support résistantes à la chaleur (à fournir par le client).

La stabilité de l'appareil doit être assurée par la fixation au sol ou au mur (voir le chapitre « Montage / Variantes de pose »).

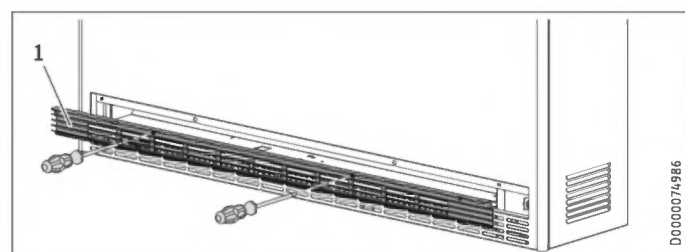
11.2 Distances minimales



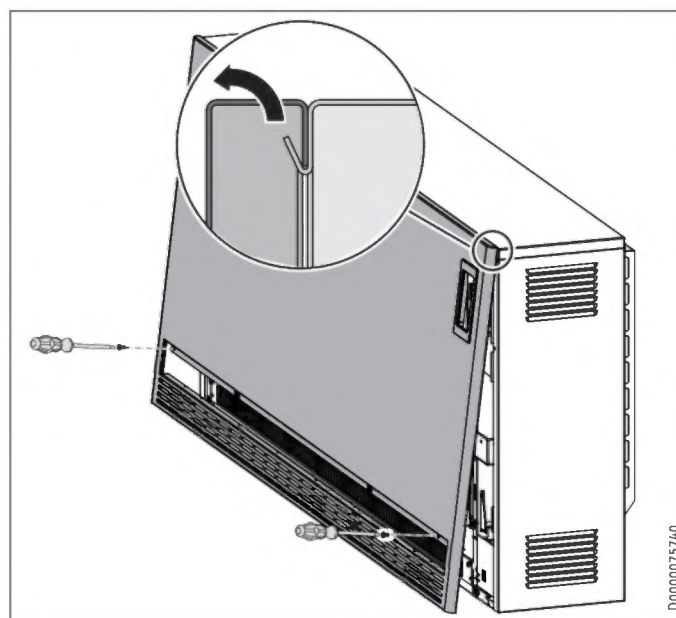
- Assurez-vous que l'air chaud peut sortir librement de l'appareil.

12. Montage

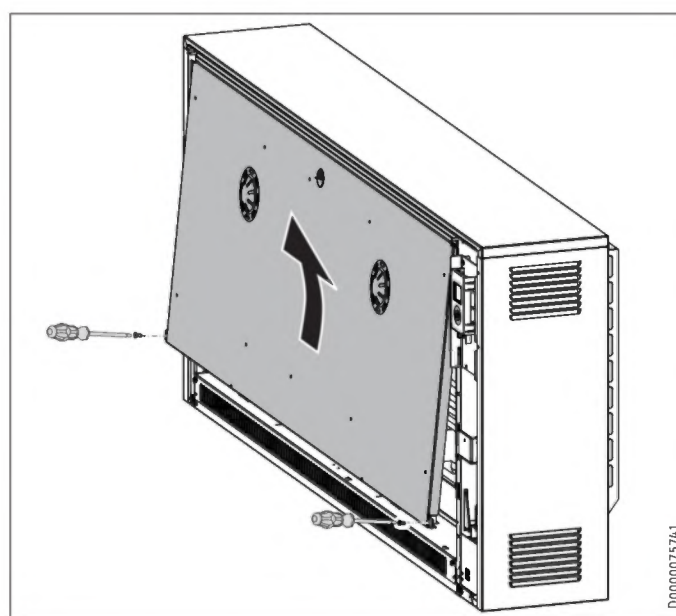
12.1 Ouvrir l'appareil



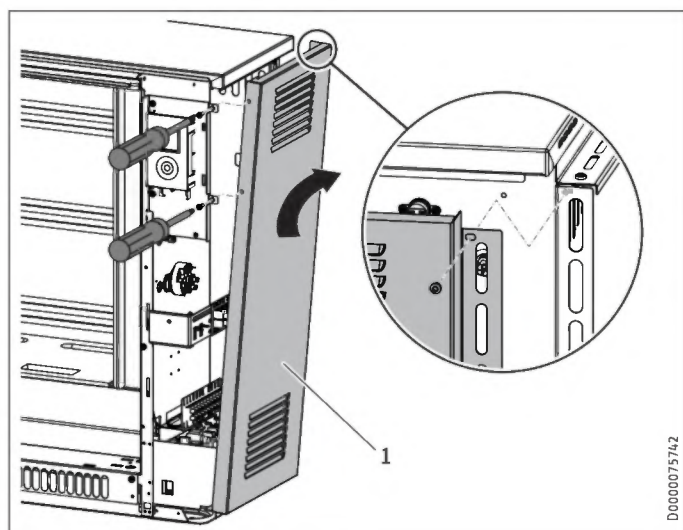
- 1 Grille de refoulement d'air
- Desserrez les deux fermetures 1/4 de tour de la grille de sortie d'air avant de la retirer.



- Desserrez les vis de la paroi avant.
- Tirez la paroi avant vers l'avant et soulevez-la.



- Dévissez les vis situées à la partie inférieure de la paroi avant intérieure.
- Tirez la paroi avant interne vers l'avant et soulevez-la.



1 Paroi latérale droite (déviscée)

- ▶ Desserrez les 3 vis devant et derrière sur la paroi latérale droite.
- ▶ Tirez un peu la paroi latérale vers l'avant et basculez-la en haut sur le côté.
- ▶ Soulevez légèrement la paroi latérale pour la dégager.

12.2 Réglage de la régulation



Remarque

Veillez tenir compte des indications suivantes. Une fois l'appareil en place, ce réglage ne pourra être effectué que sous certaines conditions en fonction du lieu d'implantation et de la variante d'appareil.

12.2.1 Réduction de la puissance d'alimentation

En configuration usine, le raccordement de l'appareil est réalisé pour la puissance maximale (100 %).

En déplaçant ou en éliminant certains cavaliers de pontage aux bornes de raccordement, vous pouvez réduire la puissance d'alimentation selon trois niveaux du degré de charge (voir chapitre « Données techniques / Réduction de la puissance d'alimentation »).

La section des conducteurs et les dispositifs de protection doivent correspondre à la puissance maximale admissible.



Remarque

Respectez les prescriptions de la société distributrice d'électricité.

12.2.2 Ajustement de la puissance correspondant à une durée de charge nominale plus longue

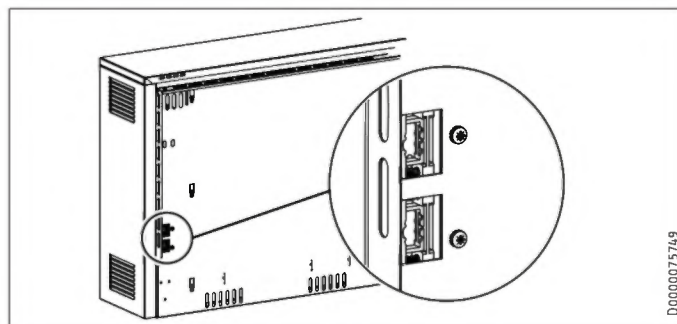
La puissance d'alimentation peut être adaptée à la durée de charge nominale imposée par le fournisseur d'énergie en déplaçant ou en enlevant des cavaliers sur le bornier de raccordement. Dans sa configuration d'usine, le radiateur à accumulation est réglé sur une durée de charge nominale de 8 heures.

- ▶ Respectez les indications du chapitre « Données techniques / Adaptation de la puissance ».

12.2.3 Raccordement à un signal pilote CC

Si l'installation est équipée d'une commande de charge à signal pilote CC (courant continu de 0,91 V - 1,43 V), le kit de montage DC Control Input (accessoire) est nécessaire. Le signal pilote CC doit être raccordé aux bornes A1/Z1 « DC + (pôle positif) » et A2/Z2 « DC - (pôle négatif) » sur la barrette à bornes X3. Tenez compte de la polarité.

12.3 Alimentation secteur / Câbles de raccordement



AVERTISSEMENT Électrocution

▶ Mettez les raccordements hors tension au coffret électrique avant d'entreprendre les travaux sur l'appareil !

- ▶ Introduisez le câble d'alimentation secteur et du régulateur de charge et de décharge dans les ouvertures de la paroi arrière de l'appareil et effectuez le branchement (voir « Données techniques / Schéma électrique »).
- ▶ Prévoyez 260 mm de câble env. et raccourcissez-le au besoin. Les câbles ne doivent pas toucher les fentes d'aération de la paroi latérale.

12.4 Raccordement électrique

12.4.1 Généralités



AVERTISSEMENT Électrocution

Lors du raccordement de l'appareil à un dispositif automatique de commande de charge, les bornes A1/Z1 et A2/Z2 peuvent être sous tension alors que les protections ont été enlevées !

Raccordement électrique des corps de chauffe : 3/N/PE ~ 400 V. Le kit de montage Raccordement en monophasé (accessoires) permet également un raccordement 1/N/PE ~ 230 V.

Un raccordement NYM est possible. Le nombre de câbles raccordés, le nombre de conducteurs et leur section dépendent des caractéristiques électriques de l'appareil, du type de branchement au secteur et des prescriptions du fournisseur d'énergie.

Tenez compte du schéma électrique et des niveaux de puissance (voir le chapitre « Données techniques »).

12.4.2 Raccordement de l'appareil



AVERTISSEMENT Électrocution
Il est impératif d'apporter le plus grand soin au branchement de la prise de terre.



AVERTISSEMENT Électrocution
Les câbles de raccordement ne doivent pas être endommagés, retirés ou débranchés de l'appareil.
► Posez les câbles de raccordement en fonction.



Remarque
Une tension permanente doit être appliquée sur les bornes L et N de la barrette à bornes X2.

- Installez un dispositif anti-traction sur les câbles électriques et branchez-les selon le schéma de raccordement se trouvant à l'intérieur de l'appareil (paroi latérale droite) ou le schéma électrique au chapitre « Données techniques ».

S'il s'avère difficile d'accéder au bornier de raccordement se trouvant à l'intérieur du boîtier de raccordement par manque de place sur le côté, vous pouvez le basculer vers l'avant après avoir enlevé la vis de fixation.

12.4.3 Commande sans contacteur de chauffage

Si aucun contacteur de chauffage ne doit être installé (suivant préconisation du fournisseur d'énergie), la fonction de l'électronique du radiateur à accumulation peut en faire office.

- Dans ce cas, ce sont soit les fils pilotes LF et N du fournisseur d'énergie, soit les fils pilote SH et N de la commande de charge correspondante que vous devez raccorder directement aux bornes LF/SH et N du radiateur à accumulation.
- Réglez le paramètre P15 sur 1 dans le menu de paramétrage (voir le chapitre « Installation / Réglages »).

Les corps de chauffe ne seront alimentés que lorsque l'autorisation LF aura été donnée par le fournisseur d'électricité et que le régulateur de charge électronique aura autorisé le commencement de la charge.

12.4.4 Plaque signalétique de l'appareil



Remarque
Vous devez consigner la puissance raccordée et la durée de charge nominale.

- Cochez pour cela les cases correspondantes de la plaque signalétique.

12.5 Variantes de pose

12.5.1 Fixation murale

(sur un mur suffisamment porteur)

Un trou est prévu dans la paroi arrière de l'appareil au niveau du boîtier de raccordement.

- Fixez l'appareil à la cloison avec une vis appropriée de sorte à éviter qu'il ne bascule.

12.5.2 Fixation au sol

Vous pouvez aussi visser l'appareil au sol par les quatre trous (Ø 9 mm) pratiqués dans les pieds de l'appareil.

- Déposez la grille de sortie d'air, la paroi avant et le module de conduit d'air (voir le chapitre « Montage / Ouverture de l'appareil » et « Nettoyage de l'appareil »).
- Fixez solidement l'appareil au sol avec des vis appropriées.

12.6 Mise en place des briques réfractaires



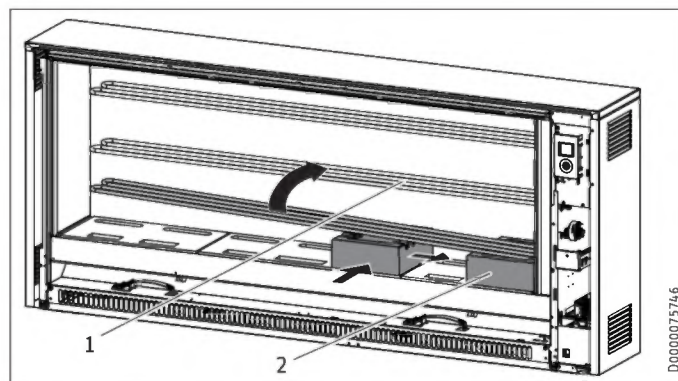
AVERTISSEMENT Brûlure
Une isolation thermique en mauvais état peut être à l'origine d'une surchauffe des parois de l'appareil.

- Vérifiez que l'isolant thermique de l'appareil n'a pas été endommagé lors du transport.
- Remplacez tout élément d'isolation thermique qui présente un défaut.

L'appareil doit être entièrement dégagé de tout élément étranger tel que des résidus d'emballage.

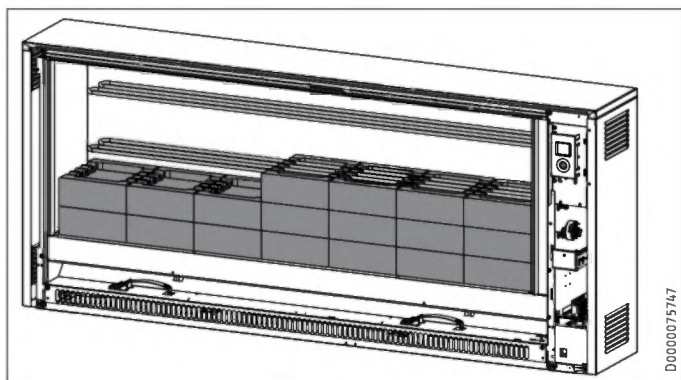
- Enlevez la tôle de recouvrement et le carton de calage se trouvant à l'intérieur de l'appareil.

Les briques réfractaires sont livrées sous un conditionnement séparé. Elles peuvent être utilisées même si elles ont été légèrement abîmées pendant le transport. Cela n'a aucune influence sur le fonctionnement de l'appareil.



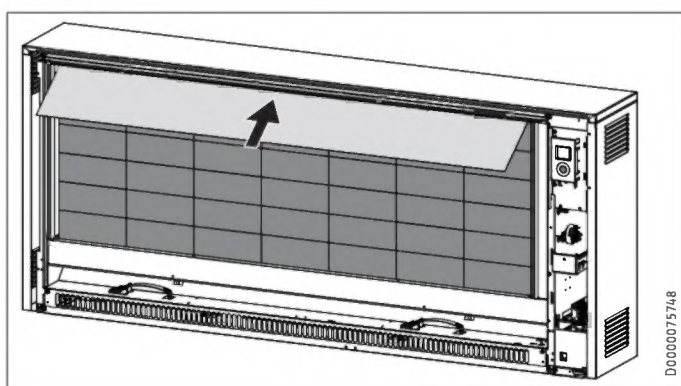
- 1 Corps de chauffe
- 2 Brique réfractaire

- Soulevez légèrement les corps de chauffe pour introduire les briques.
- Faites bien attention de ne pas agrandir les trous de passage des résistances dans l'isolation thermique latérale quand vous soulevez les corps de chauffe.
- Placez la première brique avec le creux vers le haut sans toucher l'isolation thermique à droite.
- Poussez la brique contre les éléments isolants de droite et de l'arrière. Les évidements forment les conduits d'air chaud.



D0000075747

- Posez les briques suivantes selon l'ordre indiqué sur l'illustration.

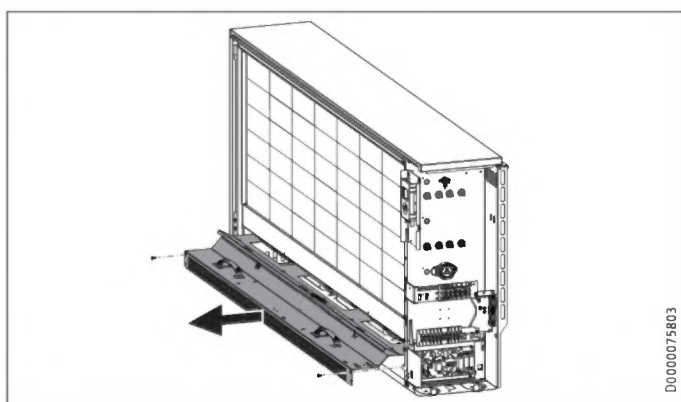


D0000075748

- Glissez la tôle de recouvrement que vous aviez précédemment sortie de l'intérieur de l'appareil en la faisant passer au-dessus du rang de briques supérieur.

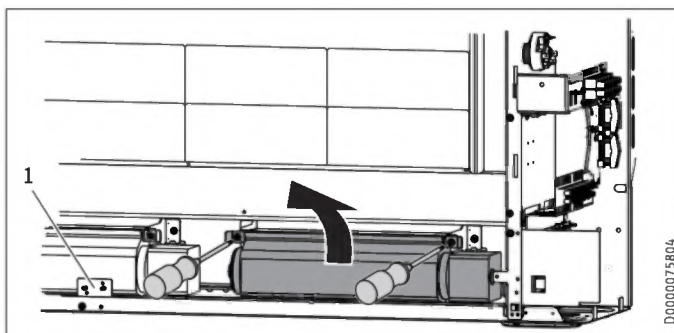
12.7 Nettoyage de l'appareil

- Nettoyez l'appareil après l'avoir posé et après avoir installé les briques. Procédez comme suit :



D0000075803

- Déposez le kit de conduit d'air.



D0000075804

1 Thermostat de protection (N5)

- Soulevez la soufflante et extrayez-la de l'appareil après avoir enlevé les vis situées à l'avant de l'équerre de fixation.
- Notez l'implantation du câblage.

Sur certains appareils, il faut préalablement dévisser le thermostat de protection (N5) avec sa tôle de fixation.

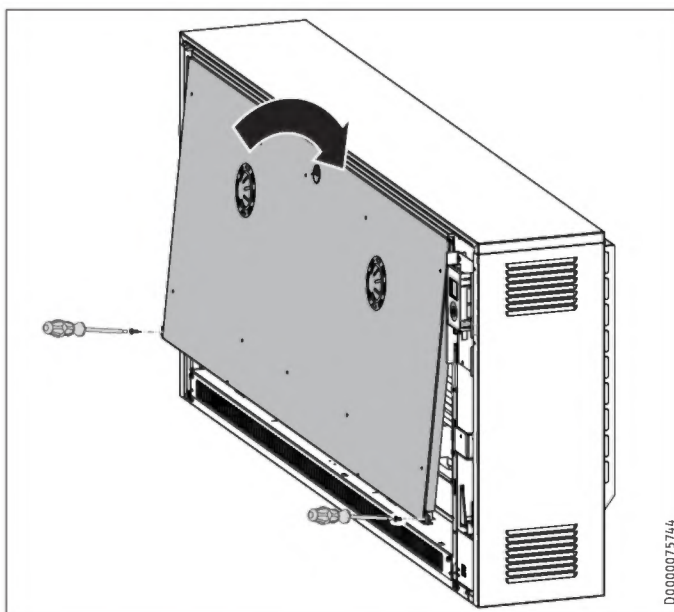


! Dommages matériels

Prenez garde de ne pas détériorer les fils lors de la dépose des éléments.

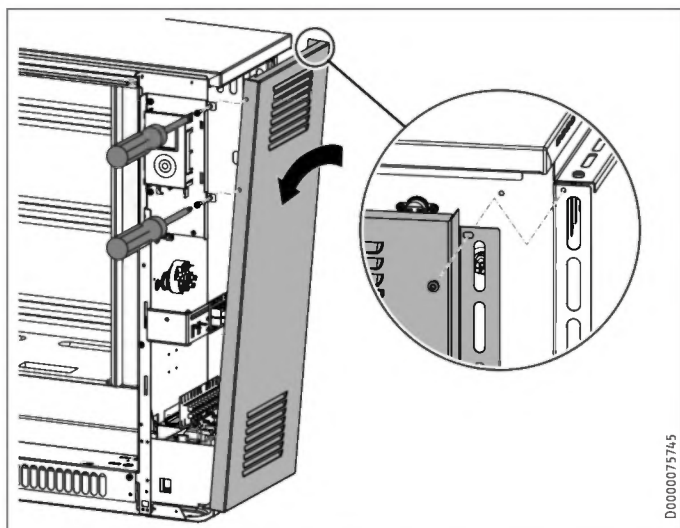
- Nettoyez la tôle de fond et la soufflante. Faites bien attention de ne pas endommager les lamelles.
- Reposez ensuite la soufflante, éventuellement le thermostat de protection et le kit de conduit d'air.
- Apportez un soin particulier à l'implantation du câblage.

12.8 Fermeture de l'appareil

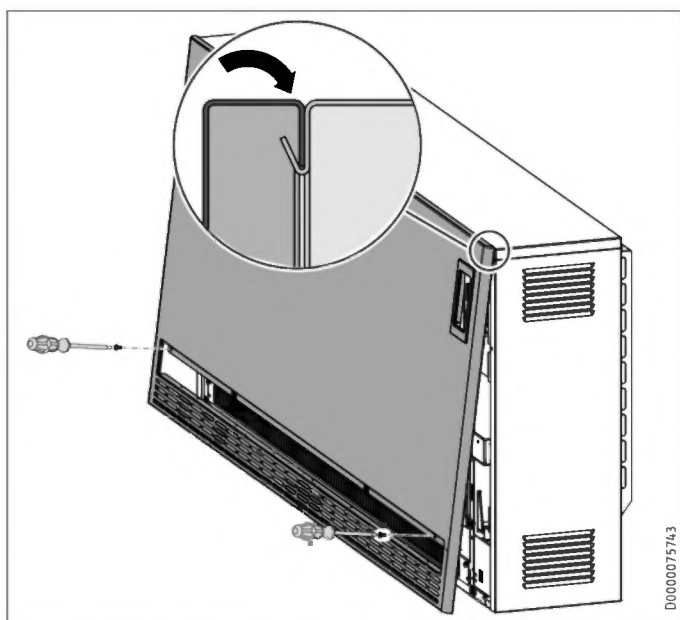


D0000075744

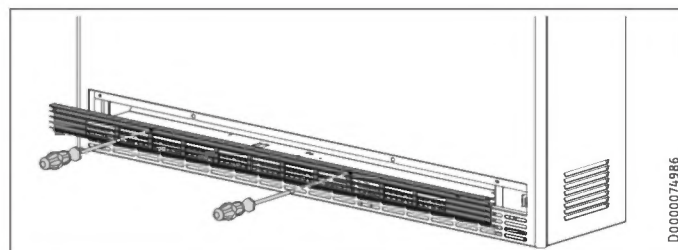
- Reposez la paroi avant intérieure.



- ▶ Insérez la paroi latérale droite en bas et basculez le haut de la paroi sur l'appareil.
- ▶ Suspendez la paroi latérale en haut au couvercle et appuyez-la vers l'arrière. Veillez à ce que la paroi latérale repose sur la tôle de fixation de l'unité de commande.
- ▶ Vissez à fond la paroi latérale à l'aide des 3 vis et rondelles crantées.



- ▶ Retirez le film de protection de l'unité de commande avant la monter la paroi avant.
- ▶ Reposez la paroi avant.
- ▶ Vissez à fond la paroi avant à l'aide des vis et rondelles crantées.



- ▶ Fixez la grille de sortie d'air en vissant les deux fermetures 1/4 de tour.

13. Configuration

13.1 Menu de paramétrage

Pour accéder au menu de paramétrage, maintenez la touche « Menu » appuyée. La valeur réelle I1 s'affiche au bout de 3 secondes env.

Affichage	Description
I1-I2	Valeurs réelles
Pro1-Pro3	Programmes de temporisation
P1-P5	Paramètres
CodE	Accès installateur

Après la saisie d'un code à quatre chiffres, l'accès à des valeurs réelles et des paramètres supplémentaires réservés à l'installateur est autorisé.

Niveau d'accès	Description
A0	Valeurs réelles et paramètres autorisés pour l'utilisateur de l'appareil, accessibles par conséquent sans code.
A1	Valeurs réelles et paramètres autorisés pour l'installateur.

13.1.1 Saisir le code

Le code paramétré en usine est 1000.

- ▶ Ouvrez la rubrique « CodE » du menu à l'aide de la touche « + » ou « - ».
Le niveau d'accès A0 s'affiche en alternance avec cette rubrique.
- ▶ Appuyez sur la touche « OK ».
La saisie du code s'affiche. Le premier chiffre clignote.
- ▶ Saisissez le code 1000 à l'aide de la touche « + » ou « - ».
Appuyez sur la touche « OK » après chaque chiffre saisi.

Si la saisie du code est correcte, des valeurs effectives et paramètres supplémentaires, qui étaient verrouillés auparavant, sont alors visibles.

13.1.2 Valeurs réelles

Affichage	Description	Niveau d'accès	Unité
I1	Valeur réelle de la température ambiante	A0	[°C] [°F]
I2	Temps de chauffe relatif (le paramètre P5 permet de réinitialiser ce compteur)	A0	[h]
I3	Degré de charge de consigne de la prochaine charge	A1	[%]
I4	Degré de charge réel	A1	[%]

INSTALLATION

Configuration

13.1.3 Paramètres

Affi-charge	Description	Niveau d'accès	Options
P1	Décalage température ambiante	A0	±3 °C ±5 °F
P2	Format de l'heure	A0	12 h 24 h
P3	Unité de température	A0	°C °F
P4	Réinitialisation des programmes de temporisation	A0	on off
P5	Réinitialisation du temps de chauffe relatif	A0	on off
P6	Signal pilote SL	A1	0 1
P7	Type de commande de ventilateur	A1	0 1
P8	Abaisser la température de coupure	A1	100 % 90 % 80 % 70 %
P12	Chauffage d'appoint	A1	0 1
P14	Source Degré de charge de consigne	A1	1 2 3
P15	Source Dérogation tarifaire heures creuses	A1	0 1
P17	Système ED	A1	30 - 80 %
P18	Réaction aux défauts	A1	0 1

Si vous souhaitez modifier la valeur d'un paramètre, appelez celui-ci à l'aide de la touche « + ». Appuyez sur la touche « OK ».

Dès que l'icône « Paramètre modifiable » s'affiche, vous pouvez modifier la valeur à l'aide des touches « + » et « - ». Appuyez sur la touche « OK » pour enregistrer la valeur paramétrée.

Si vous appuyez sur la touche « Menu » ou n'effectuez aucune commande pendant 10 minutes, l'appareil repasse automatiquement à l'affichage par défaut. Le blocage des paramètres est réactivé.

P6: Signal pilote SL

Options	Description
0	Entrée SL désactivé (réglage d'usine) : La commande du ventilateur est réalisée par le régulateur de température ambiante intégré dans l'appareil.
1	Entrée SL activée : La commande du ventilateur est réalisée par le régulateur de température ambiante 2 points monté au mur.

P7: Type de commande de ventilateur

Options	Description
0	Régulateur 2 points : La soufflante est mise en marche ou arrêtée par le régulateur de température ambiante intégré dans l'appareil selon les besoins de chaleur.
1	Régulateur proportionnel (réglage d'usine) : La vitesse de rotation des moteurs de la soufflante est adaptée en continu aux besoins de chaleur par le régulateur de température ambiante intégré dans l'appareil.

P8: Réduire la température de coupure

En association avec la puissance de raccordement variable, le paramètre P8 permet de sélectionner quatre degrés de charge différents pour le régulateur électronique de charge (100 %, 90 %, 80 % ou 70 %). Le réglage d'usine est 100 % (pas de réduction).

Si un autre réglage est choisi, cela entraîne une réduction du degré de charge (la température de coupure du régulateur de charge électronique est plus basse). Voir le chapitre « Données techniques / Réduction de la puissance d'alimentation en maintenant une durée de charge nominale de 8 heures ».

P12 : chauffage d'appoint (en accessoire)

Options	Description
0	Si aucun chauffage d'appoint n'est installé dans l'appareil (réglage d'usine).
1	Activation du chauffage d'appoint installé dans l'appareil.

P14: Source Degré de charge de consigne

Options	Description
1	Pour les appareils sans commande de charge pilotée en fonction des conditions climatiques. La quantité d'accumulation est régulée par le dispositif d'abaissement du degré de charge.
2	Le câble pilote de charge est raccordé au signal pilote CA (réglage d'usine).
3	Le câble pilote de charge est raccordé au signal pilote CC.

P15: Source Dérogation tarifaire heures creuses

Options	Description
0	Autorisation permanente (réglage d'usine) : Les corps de chauffe dans l'appareil sont mis en marche lorsque le contacteur de chauffage et le régulateur de charge électronique autorisent la charge.
1	Signal matériel LF : Les corps de chauffe ne seront alimentés que lorsque l'autorisation LF aura été donnée par le fournisseur d'électricité et que le régulateur de charge électronique aura autorisé le commencement de la charge.

P17: Système ED

Le câble pilote doit être raccordé à un signal pilote CA (signal de tension alternative aux bornes A1 et A2).

Le régulateur de charge électronique de l'appareil peut fonctionner à 80 %, 72 %, 68 %, 40 % et 37 % avec des commandes de charge des systèmes ED. Le réglage d'usine est prévu pour des systèmes ED à 80 %.

Lorsque l'appareil est utilisé avec d'autres systèmes ED, ce paramètre doit être réglé sur la valeur en pourcentage correcte.

P18: Réaction aux défauts

Options	Description
0	Le régulateur de charge dans l'appareil est réglé sur « Réponse négative aux défauts » (pas de charge du radiateur à accumulation en cas de commande de charge défaillante). Ce réglage n'est réalisable qu'en cas de fonctionnement avec des commandes de charge numériques. Dans le cas de commande de charge CA, un signal ED à 80 % est en plus nécessaire.
1	Le régulateur de charge dans l'appareil est réglé sur « Réponse positive aux défauts » (réglage d'usine). Cela signifie qu'en cas de défaut de la commande de charge (par exemple lors d'une panne du signal pilote), l'appareil reçoit en charge complète.

14. Mise en service

14.1 Contrôles avant la mise en service

Vous pouvez effectuer un test de fonctionnement avant la mise en service. Appelez le mode de mise en service dans le menu de paramétrage.

- Pour accéder au menu de paramétrage, maintenez la touche « Menu » appuyée pendant 3 secondes.

Autorisez tout d'abord le niveau d'accès A1 réservé à l'installateur.

- Ouvrez la rubrique « CodE » du menu à l'aide de la touche « + » ou « - ».
- Appuyez sur la touche « OK ».
La saisie du code s'affiche. Le premier chiffre clignote.
- Saisissez le code 1000 à l'aide de la touche « + » ou « - ».
Appuyez sur la touche « OK » après chaque chiffre saisi.
- Après avoir saisi le code correct, appelez la valeur réelle I4 à l'aide de la touche « + ».
- Pour accéder au menu de mise en service, maintenez les touches « Menu » et « + » appuyées pendant 3 secondes environ.

Une première charge a lieu en mode de mise en service. La quantité d'accumulation correspond au réglage sur le dispositif d'abaissement du degré de charge. La progression de la charge apparaît en pourcentage dans l'affichage.



Remarque

- Il n'y a pas de charge si le dispositif d'abaissement du degré de charge est réglé sur 0 %.
- Une fois la quantité d'accumulation atteinte, l'appareil quitte automatiquement le mode de mise en service.

- Vérifiez le fonctionnement de la soufflante en activant l'autorisation de la soufflante avec la touche « Ventilateur ».



Remarque

La soufflante ne fonctionne qu'en charge.

- Pour quitter le menu de mise en service, maintenez les touches « Menu » et « - » appuyées pendant 3 secondes environ.

14.2 Première mise en service

Cet appareil peut être directement mis en service, une fois le montage terminé.

- Réglez la charge avec le dispositif d'abaissement du degré de charge ou par la commande de charge.

14.2.1 Réalisation d'une charge

Une odeur peut se dégager lors de la première charge.

- Veillez à aérer suffisamment la pièce. Si une fenêtre est entrouverte, vous pouvez atteindre p. ex. un taux de renouvellement d'air de 1,5 fois.

Si l'appareil se trouve dans une chambre à coucher, la première charge ne doit pas avoir lieu alors que des personnes y dorment.

15. Transformation de l'appareil

Pour les travaux de transformation, d'ajout d'équipement et d'encastrement, c'est la notice du kit de montage correspondant qui doit être respectée.

16. Remise de l'appareil à l'utilisateur

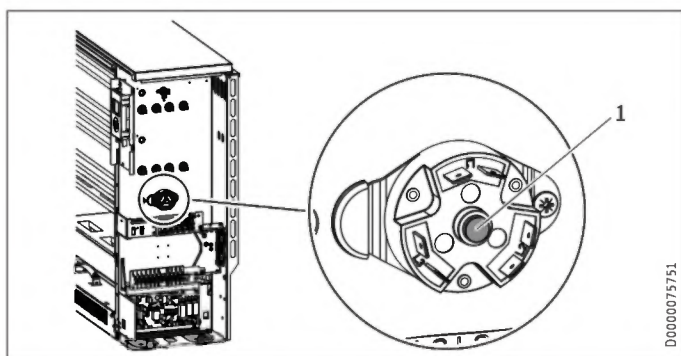
Expliquez les différentes fonctions de l'appareil à l'utilisateur. Attirez particulièrement son attention sur les consignes de sécurité. Remettez ces notices d'utilisation et d'installation à l'utilisateur.

17. Aide au dépannage

17.1 Tableau des pannes

Défaut	Cause	Remède
L'appareil ne chauffe pas.	Le pilotage par le contacteur du corps de chauffe ne fonctionne pas correctement.	Contrôlez la commande du contacteur du corps de chauffe.
	Pas d'alimentation électrique du radiateur à accumulation.	Contrôlez le fusible dans l'armoire électrique principale.
	Pas d'alimentation électrique du régulateur de charge.	Contrôlez l'alimentation électrique. Voir chapitres « Raccordement électrique » et / ou « Données techniques ».
	Le limiteur de sécurité (F1) s'est déclenché.	Réarmez le limiteur de température (voir chapitre « Réarmement du limiteur de sécurité »).
	La commande de charge est mal réglée.	Vérifiez les réglages de la commande de charge.
	Le régulateur de charge fonctionne incorrectement.	Contrôlez les réglages des paramètres P14, P15, P17 et P18 dans le menu de paramétrage (voir le chapitre « Installation / Réglages »).
L'appareil charge trop alors que la température extérieure est douce (si utilisation d'une commande de charge).	La transmission du signal pilote est interrompue.	Vérifiez que le signal pilote de charge est appliqué au radiateur à accumulation.
	La courbe de chauffe est mal réglée.	Vérifiez les réglages de la commande de charge
	La sonde de température extérieure est défectueuse.	Testez la sonde de température extérieure et remplacez-la si besoin est.
L'appareil charge trop alors que la température extérieure est douce (avec réglage manuel de charge).	Le régulateur de charge émet un signal pilote erroné.	Contrôlez les réglages des paramètres P17 et P18 dans le menu de paramétrage (voir le chapitre « Installation / Réglages »).
	Réglages du dispositif d'abaissement du degré de charge sur le radiateur à accumulation.	Vérifiez le réglage du dispositif d'abaissement du degré de charge.
L'appareil ne restitue pas la chaleur.	Les ventilateurs ne fonctionnent pas.	Vérifiez : ... les réglages du paramètre P6 dans le menu de paramétrage (voir le chapitre « Installation / Réglages ») ; ... que l'autorisation de la soufflante est activée ; ... que la tension du ventilateur est appliquée au radiateur à accumulation.
	Le filtre à peluches de l'arrivée d'air est obstrué.	Nettoyez le filtre à peluches. Voir le chapitre « Nettoyage, entretien et maintenance ». Vérifiez si l'arrivée d'air n'est pas entravée, p. ex. par la présence de tapis à poils hauts. Vérifiez que le thermostat de protection de la sortie d'air (N5) ne s'est pas déclenché.
L'écran affiche le code d'erreur « E1 ».	La sonde d'ambiance est défectueuse.	Testez la sonde d'ambiance et remplacez-la si besoin est.
L'écran affiche le code d'erreur « E2 ».	La sonde de température au cœur est défectueuse.	Testez la sonde de température au cœur de l'appareil et remplacez-la si besoin est.
L'écran affiche le code d'erreur « E3 ».	Les pôles du pilote CC sont inversés.	Vérifiez le branchement du pilote CC.

17.1.1 Activer le limiteur de sécurité (F1)



1 Bouton de réarmement du limiteur de sécurité






Le limiteur de sécurité peut être réactivé après élimination du défaut en appuyant le bouton de réarmement.

17.2 Symboles de la plaque signalétique



FRANÇAIS

Symboles de la plaque signalétique (exemple SHF 7000)

-  Poids total
-  Réalisation d'une charge
-  Décharge (restitution)
-  Chauffage d'appoint
-  Ventilateur

18. Entretien et maintenance

Le conduit de soufflante situé derrière la grille de sortie d'air doit être vérifié tous les deux ans. Il peut être sujet à de légers encrassements.



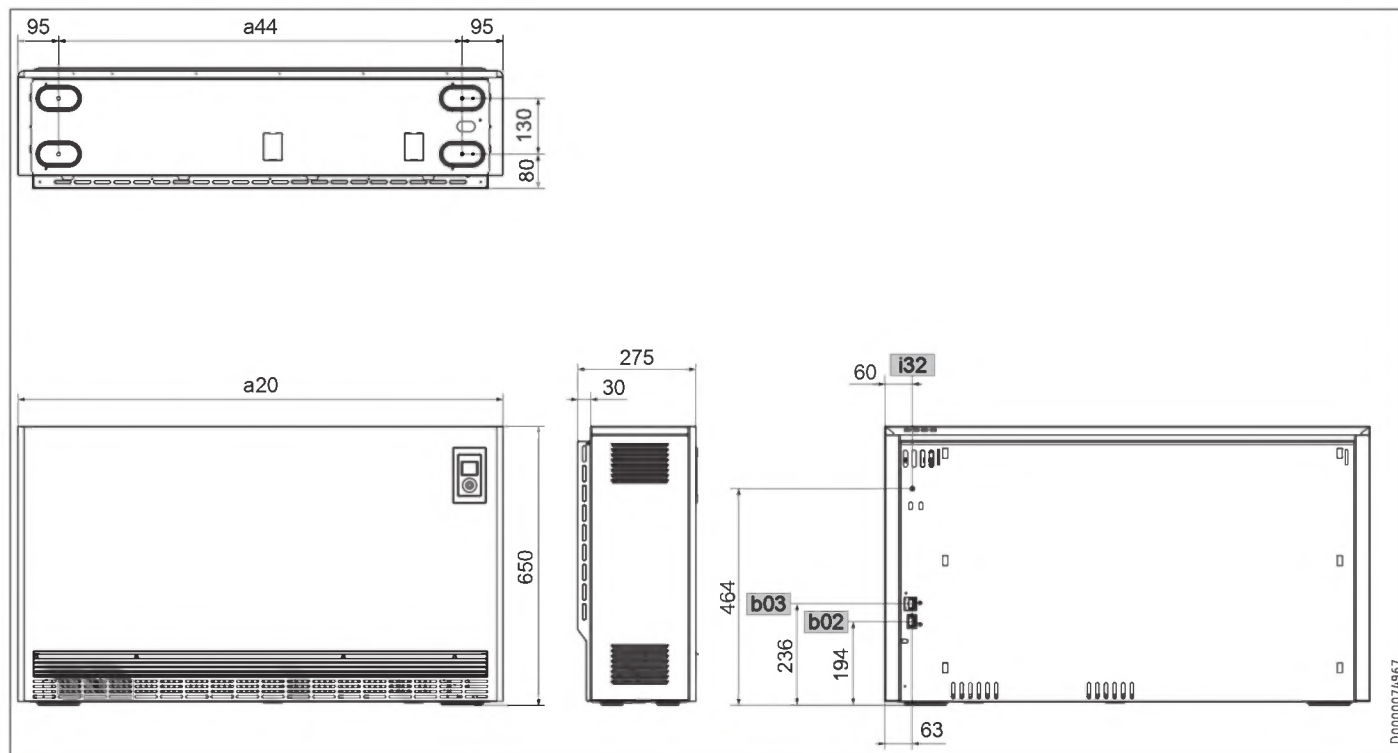
Remarque

Nous recommandons de faire vérifier les dispositifs de contrôle et de régulation lors des visites de maintenance régulières.

- Faites appel à un professionnel au plus tard 10 ans après la première mise en service pour qu'il vérifie les dispositifs de sécurité, de contrôle et de régulation, ainsi que l'ensemble du système de commande de charge et décharge.

19. Données techniques

19.1 Cotes et raccords



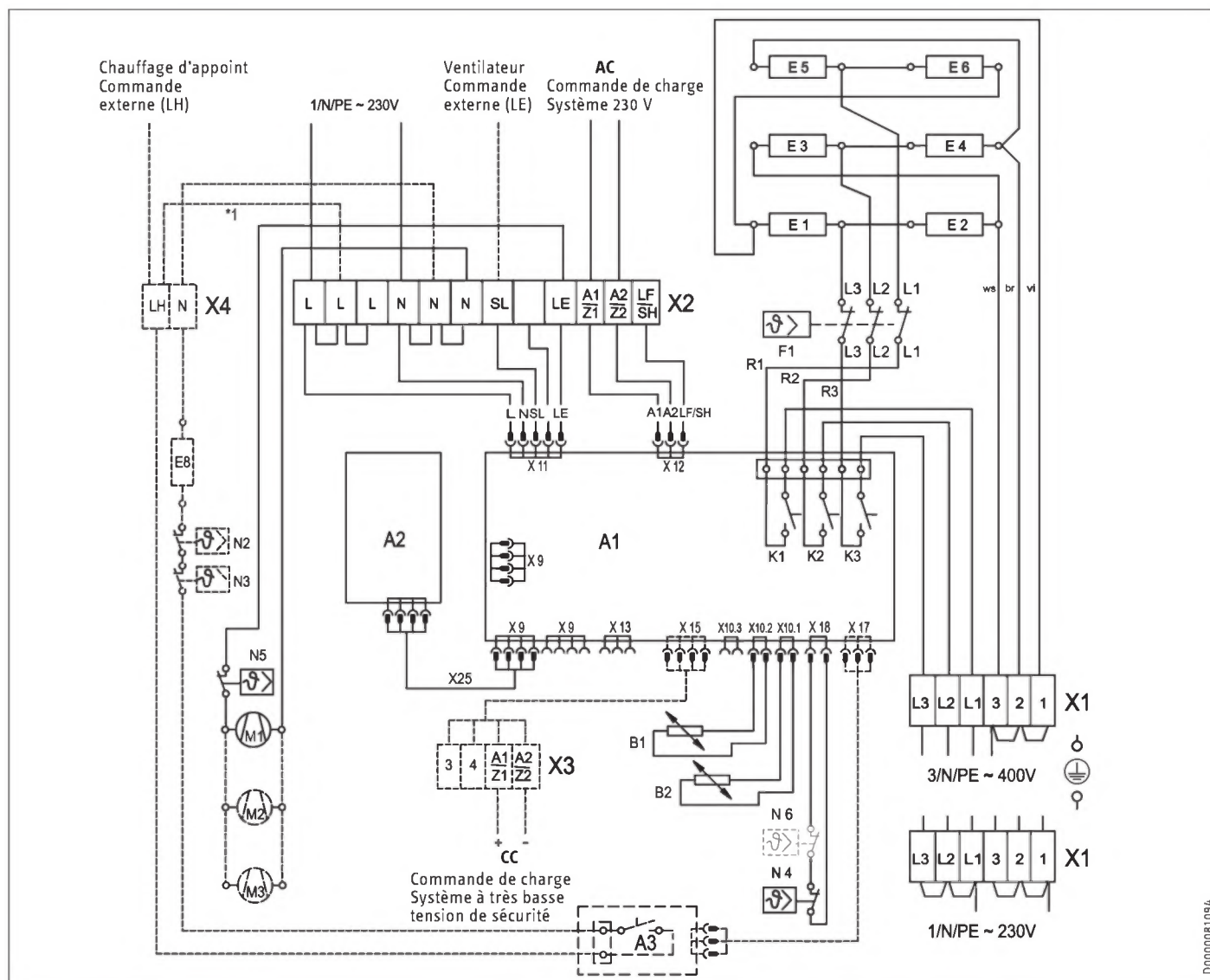
			SHF 2000	SHF 3000	SHF 4000	SHF 5000	SHF 6000	SHF 7000	
a20	Appareil	Largeur	mm	605	780	955	1130	1305	1480
a44	Appareil	Distance entre pieds	mm	415	590	765	940	1115	1290
b02	Passage des câbles électriques I								
b03	Passage des câbles électriques II								
i32	Fixation								

19.2 Schéma électrique



Dommages matériels

Il faut s'assurer qu'une différence de potentiel de 230 V max. soit maintenue entre toutes les connexions côté tension de réseau L, L1 et les différents signaux pilotes SL, A1, A2, LF, SH, LE et LH.



Partie accumulateur

- A1 Régulateur électronique de charge et de décharge
- A2 Système électronique de l'interface utilisateur
- B1 Sonde centrale - charge
- B2 Sonde d'ambiance - décharge
- F1 Limiteur de température de sécurité
- E1 - E6 Corps de chauffe
- M1 - M3 Soufflante du radiateur à accumulation
- N4 Limiteur de température - charge
- N5 Thermostat de protection
- N6 Limiteur de température - degré de charge uniquement pour 6 - 7 kW
- X25 Câblage interne A1 - A2
- X1 Bornier de raccordement au secteur
- X2 Bornier de raccordement

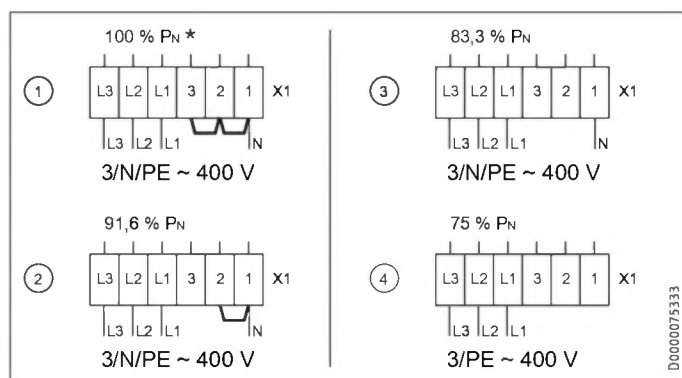
Accessoires

(non compris à la livraison. Cochez la case correspondant à l'accessoire intégré à l'appareil.)

- Raccordement CC**
- X3 Borne de raccordement CC (0,91 - 1,43 V)
- Chauffage d'appoint** (commande interne)
- *1 / fil conducteur LH - L
- Chauffage d'appoint** (commande externe)
- A3 Relais de résistance d'appoint du module
- E8 Résistances d'appoint
- N2 Thermostat - chauffage d'appoint
- N3 Thermostat - chauffage d'appoint
- X4 Bornier de raccordement

19.3 Réduction de la puissance d'alimentation

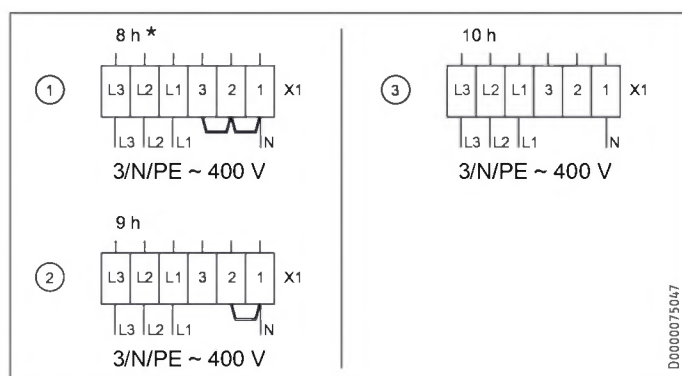
Variantes de raccordement (résistances 8h)		①	②	③	④
		100 %	91,6 %	83,3 %	75 %
Types					
SHF 2000	kW	2,00	1,83	1,67	1,50
SHF 3000	kW	3,00	2,75	2,50	2,25
SHF 4000	kW	4,00	3,66	3,33	3,00
SHF 5000	kW	5,00	4,58	4,16	3,75
SHF 6000	kW	6,00	5,50	5,00	4,50
SHF 7000	kW	7,00	6,42	5,83	5,25



* Câblage de série

19.4 Adaptation de la puissance (durée de charge nominale)

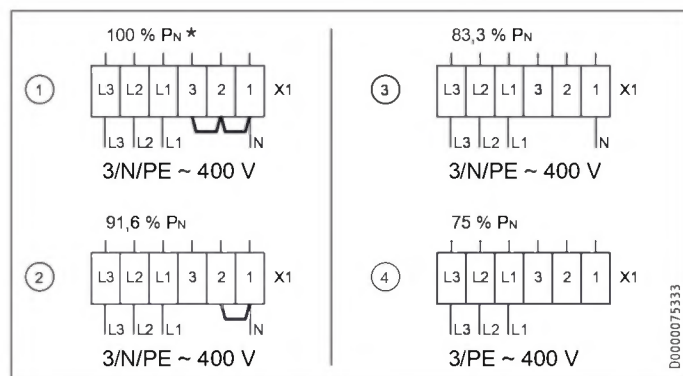
Type de résistances (résistance 8h)		8h	9h	10h
Durée de charge nominale		8h	9h	10h
Variantes de raccordement		①	②	③
Types				
SHF 2000	kW	2,00	1,83	1,67
SHF 3000	kW	3,00	2,75	2,50
SHF 4000	kW	4,00	3,66	3,33
SHF 5000	kW	5,00	4,58	4,16
SHF 6000	kW	6,00	5,50	5,00
SHF 7000	kW	7,00	6,42	5,83



* Câblage de série

19.5 Réduire la puissance de raccordement en maintenant une durée de charge nominale de 8 heures

Puissances de raccordement (résistances 8h)		①	②	③	④
Variantes de raccordement		100 %	91,6 %	83,3 %	75 %
Puissances de raccordement		100 %	91,6 %	83,3 %	75 %
Degrés de charge à sélectionner via le paramètre P8		100 %	90 %	80 %	70 %



* Câblage de série

19.6 Indications relatives à la consommation énergétique

Les caractéristiques du produit sont conformes aux prescriptions de la directive UE sur l'écoconception applicable aux produits liés à l'énergie (ErP).

Informations produit sur les dispositifs de chauffage décentralisés selon la directive (UE) 2015/1188

		SHF 2000	SHF 3000	SHF 4000	SHF 5000	SHF 6000	SHF 7000
		200175	200176	200177	200178	200179	200180
Fabricant		STIEBEL ELTRON	STIEBEL ELTRON	STIEBEL ELTRON	STIEBEL ELTRON	STIEBEL ELTRON	STIEBEL ELTRON
Puissance calorifique							
Puissance calorifique nominale P_{nom}	kW	1,0	1,5	2,0	2,5	3,0	3,5
Puissance calorifique minimale (indicative) P_{min}	kW	0,0	0,0	0,0	0,0	0,0	0,0
Puissance calorifique maximale en continu $P_{max,c}$	kW	1,3	2,3	3,0	3,5	4,3	4,9
Consommation courant auxiliaire							
En puissance calorifique nominale $e_{l,max}$	kW	0,000	0,000	0,000	0,000	0,000	0,000
En puissance calorifique minimale $e_{l,min}$	kW	0,000	0,000	0,000	0,000	0,000	0,000
En veille $e_{l,SB}$	kW	0,000	0,000	0,000	0,000	0,000	0,000
Type de régulation de l'apport thermique							
Régulation manuelle de l'apport thermique avec thermostat intégré		-	-	-	-	-	-
Régulation manuelle de l'apport thermique avec retour d'information de la température ambiante et/ou extérieure		-	-	-	-	-	-
Régulation électronique de l'apport thermique avec retour d'information de la température ambiante et/ou extérieure		x	x	x	x	x	x
Restitution de chaleur à l'aide de ventilo-convecteurs		x	x	x	x	x	x
Type de puissance calorifique / contrôle de la température ambiante							
Puissance calorifique mono allure, pas de contrôle de la température ambiante		-	-	-	-	-	-
Une ou deux allures de chauffe réglables manuellement, pas de contrôle de la température ambiante		-	-	-	-	-	-
Contrôle de la température ambiante par thermostat mécanique		-	-	-	-	-	-
Avec contrôle de la température ambiante électronique		-	-	-	-	-	-
Contrôle de la température ambiante électronique et régulation en fonction de l'heure		-	-	-	-	-	-
Contrôle de la température ambiante électronique et régulation en fonction du jour de la semaine		x	x	x	x	x	x
Autres options de régulation							
Contrôle de la température ambiante avec détection de présence		-	-	-	-	-	-
Contrôle de la température ambiante avec détection de fenêtre ouverte		x	x	x	x	x	x
Avec option de commande à distance		-	-	-	-	-	-
Avec démarrage adapté du chauffage		x	x	x	x	x	x
Avec limitation du temps de fonctionnement		-	-	-	-	-	-
Avec sonde de température sphérique à boule noire		-	-	-	-	-	-

19.7 Tableau des données

		SHF 2000	SHF 3000	SHF 4000	SHF 5000	SHF 6000	SHF 7000
		200175	200176	200177	200178	200179	200180
Données électriques							
Puissance raccordée	W	2000	3000	4000	5000	6000	7000
Tension nominale	V	~400	~400	~400	~400	~400	~400
Phases		3/N/PE	3/N/PE	3/N/PE	3/N/PE	3/N/PE	3/N/PE
Fréquence	Hz	50/-	50/-	50/-	50/-	50/-	50/-
Charge nominale	kWh	16	24	32	40	48	56
Chauffage électrique d'appoint	kW	0,35	0,5	0,8	1,0	1,2	1,5
Données énergétiques							
Taux d'utilisation annuelle du chauffage des locaux η_s	%	39,5	39,5	39,5	39,5	39,5	39,5
Dimensions							
Hauteur	mm	650	650	650	650	650	650
Largeur	mm	605	780	955	1130	1305	1480
Profondeur	mm	275	275	275	275	275	275
Poids							
Poids	kg	32	40	48	56	64	72
Poids (briques comprises)	kg	118	169	220	271	322	373
Versions							
Couleur		blanc alpin	blanc alpin	blanc alpin	blanc alpin	blanc alpin	blanc alpin
Valeurs							
Réduction du degré de charge, 4 niveaux		100/90/80/70	100/90/80/70	100/90/80/70	100/90/80/70	100/90/80/70	100/90/80/70
Capacité calorifique	%	48	53	55	56	58	59
Bruits de fonctionnement	dB(A)	30	32	33	34	34	34
Références commerciales							
Nombre de paquets de briques		6	9	12	15	18	21

Garantie

Les conditions de garantie de nos sociétés allemandes ne s'appliquent pas aux appareils achetés hors d'Allemagne. Au contraire, c'est la filiale chargée de la distribution de nos produits dans le pays qui est seule habilitée à accorder une garantie. Une telle garantie ne pourra cependant être accordée que si la filiale a publié ses propres conditions de garantie. Il ne sera accordé aucune garantie par ailleurs.

Nous n'accordons aucune garantie pour les appareils achetés dans des pays où aucune filiale de notre société ne distribue nos produits. D'éventuelles garanties accordées par l'importateur restent inchangées.

Environnement et recyclage

Merci de contribuer à la préservation de notre environnement. Après usage, procédez à l'élimination des matériaux conformément à la réglementation nationale.

BIJZONDERE INFO

BEDIENING

1. Algemene aanwijzingen	52
1.1 Veiligheidsaanwijzingen	52
1.2 Andere aandachtspunten in deze documentatie	53
1.3 Info op het toestel	53
1.4 Meeteenheden	53
2. Veiligheid	53
2.1 Reglementair gebruik	53
2.2 Algemene veiligheidsaanwijzingen	53
2.3 Keurmerk	54
3. Toestelbeschrijving	54
4. Bediening	54
4.1 Bedieningseenheid	54
4.2 Warmteopslag	55
4.3 Warmteafgifte	56
5. Instellingen	56
5.1 Standaardweergave	56
5.2 Basismenu	56
5.3 Configuratiemenu	56
6. Instellingen bij een aanwezige, aan de wand gemonteerde kamerthermostaat	58
6.1 Standaardweergave	58
6.2 Basismenu	58
6.3 Configuratiemenu	59
7. Reiniging, verzorging en onderhoud	59
7.1 De pluizenzeef reinigen	59
8. Problemen verhelpen	60

INSTALLATIE

9. Veiligheid	60
9.1 Algemene veiligheidsaanwijzingen	60
9.2 Voorschriften, normen en bepalingen	60
10. Toestelbeschrijving	61
10.1 Werkwijze	61
10.2 Inhoud van het pakket	61
10.3 Toebehoren	61
11. Voorbereidingen	61
11.1 Montageplaats	61
11.2 Minimumafstanden	62
12. Montage	62
12.1 Toestel openen	62
12.2 Opladregeling instellen	63
12.3 Netaansluiting/aansluitkabels	63
12.4 Elektrische aansluiting	63
12.5 Montagevarianten	64
12.6 Accumulatorstenen plaatsen	64
12.7 Het toestel reinigen	65
12.8 Het toestel sluiten	65
13. Instellingen	66
13.1 Configuratiemenu	66
14. Ingebruikname	68
14.1 Controle voor de opstart	68
14.2 Eerste ingebruikname	68

15. Het toestel ombouwen	68
16. Overdracht	68
17. Storingen verhelpen	69
17.1 Storingstabel	69
17.2 Symbolen op het typeplaatje	70
18. Onderhoud en reiniging	70
19. Technische gegevens	71
19.1 Afmetingen en aansluitingen	71
19.2 Schakelschema	72
19.3 Aansluitvermogen reduceren	73
19.4 Vermogensaanpassing (nominale oplaadduur)	73
19.5 Aansluitvermogen verlagen met inachtneming van de nominale oplaadduur van 8 uur	73
19.6 Gegevens over het energieverbruik	74
19.7 Gegevenstabel	75

GARANTIE

MILIEU EN RECYCLING

BIJZONDERE INFO

- Bewaar deze bedienings- en installatiehandleiding zorgvuldig, zodat deze beschikbaar is, indien nodig.
- Houd kinderen jonger dan 3 jaar uit de buurt van het toestel, wanneer er niet voortdurend toezicht is.
- Het toestel kan door kinderen van 3 tot 7 jaar worden in- en uitgeschakeld, wanneer er toezicht op hen gehouden wordt, of wanneer ze met betrekking tot het veilige gebruik van het toestel geïnstrueerd zijn en de gevaren die daaruit ontstaan, begrepen hebben. Voorwaarde hiervoor is dat het toestel gemonteerd is, zoals beschreven. Kinderen van 3 tot 7 jaar mogen het toestel niet regelen.
- Het toestel kan door kinderen vanaf 8 jaar, alsmede door personen met fysieke, zintuiglijke of geestelijke beperkingen of met een gebrek aan ervaring en kennis gebruikt worden, wanneer er toezicht op hen gehouden wordt, of wanneer ze met betrekking tot het veilige gebruik van het toestel getraind zijn en de gevaren die daaruit ontstaan, begrepen hebben.
- Kinderen mogen niet met het toestel spelen. Kinderen mogen zonder toezicht het toestel niet reinigen noch gebruikersonderhoudstaken uitvoeren.
- Delen van het toestel kunnen zeer heet worden en verbrandingen veroorzaken. Wanneer er kinderen en hulpbehoevenden aanwezig zijn, is extra voorzichtigheid geboden.
- Bij de eerste ingebruikname is het mogelijk dat er iets gaat ruiken. Zorg voor voldoende ventilatie van de ruimte.
- Houd de minimale afstanden tot aangrenzende objecten of overige brandbare materialen aan (zie hoofdstuk "Installatie/minimumafstanden").
- Dek het toestel niet af om oververhitting van het toestel te vermijden.

- Leg geen voorwerpen op het toestel of in de onmiddellijke omgeving van het toestel. Plaats geen voorwerpen tegen het toestel.
- Plaats het toestel niet direct onder een stopcontact.
- Houd rekening met de waarden van de nominale oplading in het hoofdstuk "Technische gegevens/gegevenstabel".
- Plaats het toestel zo dat de schakel- en regelvoorzieningen niet kunnen worden aangehaakt door een persoon die in bad zit of onder de douche staat.
- Aansluiting op het stroomnet is alleen als vaste aansluiting toegestaan. Het toestel moet op alle polen met een afstand van minstens 3 mm van de aansluiting van het net kunnen worden losgekoppeld.
- Monteer het toestel zoals beschreven in het hoofdstuk "Installatie/montage".

BEDIENING

1. Algemene aanwijzingen

De hoofdstukken "Bijzondere info" en "Bediening" zijn bedoeld voor de gebruiker van het toestel en de installateur.

Het hoofdstuk "Installatie" is bedoeld voor de installateur.



Info

Lees deze handleiding voor gebruik zorgvuldig door en bewaar deze.

Overhandig de handleiding zo nodig aan een volgende gebruiker.

1.1 Veiligheidsaanwijzingen

1.1.1 Opbouw veiligheidsinstructies



TREFWOORD Soort gevaar

Hier worden de mogelijke gevolgen vermeld, wanneer de veiligheidsinstructies genegeerd worden.

► Hier staan maatregelen om gevaren te voorkomen.

1.1.2 Symbolen, soort gevaar

Symbool	Soort gevaar
	Letstel
	Elektrische schok
	Verbranding (verbranding, verschroeïing)

1.1.3 Trefwoorden

TREFWOORD	Betekenis
GEVAAR	Aanwijzingen die leiden tot zwaar letsel of overlijden, wanneer deze niet in acht genomen worden.
WAARSCHUWING	Aanwijzingen die kunnen leiden tot zwaar letsel of overlijden, wanneer deze niet in acht genomen worden.
VOORZICHTIG	Aanwijzingen die kunnen leiden tot middelmatig zwaar of licht letsel, wanneer deze niet in acht genomen worden.



1.2 Andere aandachtspunten in deze documentatie



Info

Algemene aanwijzingen worden aangeduid met het hier naast afgebeelde symbool.

- Lees de aanwijzingen grondig door.

Symbol	Betekenis
	Materiële schade (toestel-, gevolg-, milieuschade)
	Het toestel afdanken

- Dit symbool geeft aan dat u iets doen moet. De vereiste handelingen worden stap voor stap beschreven.

1.3 Info op het toestel

Symbol	Betekenis
	Toestel niet afdekken

1.4 Meeteenheden



Info

Tenzij anders vermeld, worden alle afmetingen in millimeter aangegeven.

2. Veiligheid

2.1 Reglementair gebruik

Het toestel is bestemd voor het verwarmen van woonruimten.

Het toestel is bestemd voor gebruik in een huishoudelijke omgeving. Het kan op een veilige manier bediend worden door ongeschoolde personen. Het toestel kan ook buiten het huishouden gebruikt worden, bijv. in een klein bedrijf, voor zover het op dezelfde wijze gebruikt wordt.

Elk ander gebruik dat verder gaat dan wat hier wordt omschreven, geldt als niet-reglementair. Onder reglementair gebruik valt ook het in acht nemen van deze handleiding evenals de handleidingen voor het gebruikte toebehoren.

2.2 Algemene veiligheidsaanwijzingen

Neem de hierna vermelde veiligheidsaanwijzingen en voorschriften in acht.

- De elektrische installatie en de installatie van het toestel mogen alleen uitgevoerd worden door een installateur of door technici van onze klantenservice overeenkomstig deze handleiding.
- De installateur is tijdens de installatie en de eerste ingebruikname verantwoordelijk voor het naleven van de geldende voorschriften.
- Gebruik het toestel enkel als het volledig geïnstalleerd is en als alle veiligheidsvoorzieningen aangebracht zijn.



WAARSCHUWING letsel

- Houd kinderen jonger dan 3 jaar uit de buurt van het toestel, wanneer er niet voortdurend toezicht is.
- Het toestel kan door kinderen van 3 tot 7 jaar worden in- en uitgeschakeld, wanneer er toezicht op hen gehouden wordt, of wanneer ze met betrekking tot het veilige gebruik van het toestel geïnstrueerd zijn en de gevaren die daaruit ontstaan, begrepen hebben. Voorwaarde hiervoor is dat het toestel gemonteerd is, zoals beschreven. Kinderen van 3 tot 7 jaar mogen het toestel niet regelen.
- Het toestel kan door kinderen vanaf 8 jaar, alsmede door personen met fysieke, zintuiglijke of geestelijke beperkingen of met een gebrek aan ervaring en kennis gebruikt worden, wanneer er toezicht op hen gehouden wordt, of wanneer ze met betrekking tot het veilige gebruik van het toestel getraind zijn en de gevaren die daaruit ontstaan, begrepen hebben.
- Kinderen mogen niet met het toestel spelen. Kinderen mogen zonder toezicht het toestel niet reinigen noch gebruikersonderhoudstaken uitvoeren.

Toestelbeschrijving



WAARSCHUWING verbranding

Gebruik het toestel niet ...

- wanneer de afstand tot naastliggende voorwerpen of overige brandbare materialen kleiner is dan de minimaal voorgeschreven afstand.
- in ruimtes waar door chemicaliën, stof, gasen of dampen gevaar voor brand of explosies bestaat. Ventileer de ruimte voldoende voordat het toestel wordt opgeladen.
- in de onmiddellijke omgeving van leidingen of containers met brandbare of explosieve stoffen.
- wanneer in de opstelruimte werkzaamheden uitgevoerd worden, zoals leggen, slijpen, verzegelen.
- wanneer er een toestelmodule beschadigd is of het toestel een storing heeft.



WAARSCHUWING verbranding

- Leg geen brandbare, ontvlambare of warmte-isolerende voorwerpen of stoffen op het toestel of in de onmiddellijke omgeving van het toestel. Daardoor kan warmteophoping ontstaan, wat leidt tot een verhoogde temperatuur van het oppervlak van de behuizing en de voorwerpen.
- Let erop dat luchttoevoer en -afvoer niet geblokkeerd worden.
- Steek geen voorwerpen tussen het toestel en de wand.



VOORZICHTIG verbranding

De oppervlakken van de behuizing van het toestel en de uitstromende lucht kunnen bij werking zeer warm (meer dan 80 °C) worden en verbrandingen veroorzaken. Wanneer er kinderen en hulpbehoevenden aanwezig zijn, is extra voorzichtigheid geboden.



WAARSCHUWING oververhitting

Dek het toestel niet af om oververhitting van het toestel te vermijden.

2.3 Keurmerk

Zie het typeplaatje op het toestel. Het typeplaatje zit aan de linkerkant van het toestel.

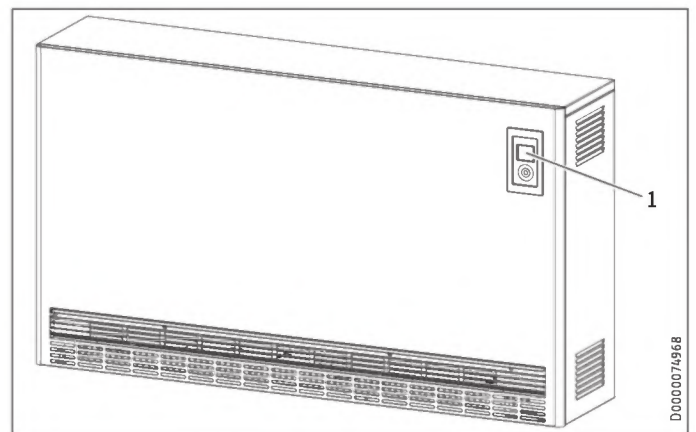
3. Toestelbeschrijving

Met dit toestel wordt elektrisch gewonnen warmte opgeslagen. Het elektrisch genereren van warmte gebeurt tijdens de uren dat het voordelige nachstroomtarief van toepassing is.

Wanneer het nachstroomtarief van toepassing is, is afhankelijk van de energieleverancier. Over het algemeen geldt het nachttarief tijdens de nachtelijke uren.

De opgeslagen warmte wordt afhankelijk van de gewenste kamertemperatuur in de vorm van hete lucht met behulp van een ventilator, maar voor een klein deel ook via de oppervlakken van het toestel aan de kamer afgegeven.

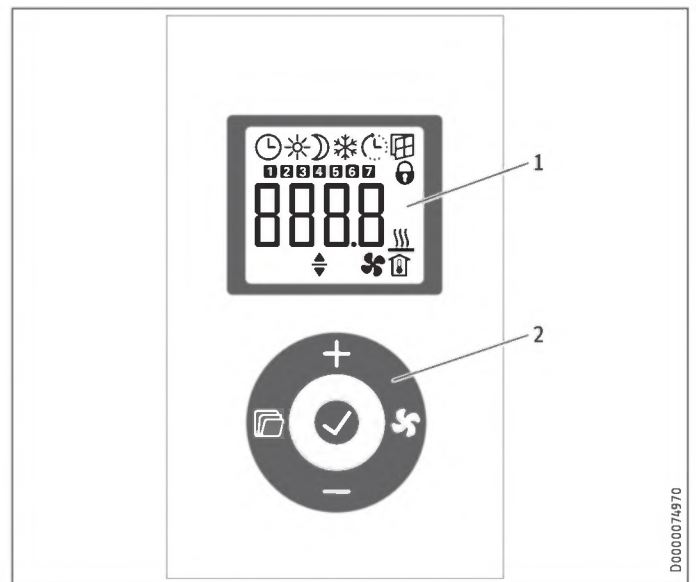
4. Bediening



1 Bedieningseenheid

4.1 Bedieningseenheid

De bediening gebeurt door middel van de bedieningseenheid, die zich rechtsboven in de voorzijde van het toestel bevindt.



1 Display
2 Bedieningspaneel

4.1.1 Bedieningspaneel

Toets	Naam	Beschrijving
	Toets "Ventilator"	Activering van de ventilator in- en uitschakelen
	Toets "OK"	Selectie; instellingen bevestigen
	Toets "Menu"	Menu oproepen en sluiten
	Toets "+"	Menuopties oproepen; instellingen wijzigen
	Toets "-"	Menuopties oproepen; instellingen wijzigen

BEDIENING

Bediening

4.1.2 Display

Wanneer gedurende 20 seconden geen bediening wordt uitgevoerd, schakelt de achtergrondverlichting uit. Door op een willekeurige toets te drukken, wordt de achtergrondverlichting weer ingeschakeld.

Symbolen



Info

Wanneer de warmteafgifte (ontlading) via een aan de wand gemonteerde thermostaat geregeld wordt, worden niet alle symbolen weergegeven.

Symbool	Beschrijving
	Tijdsaanduiding: Weergave van de actuele tijd of van een geprogrammeerd start-tijdstip Timerwerking: Het toestel warmt op overeenkomstig het geactiveerde tijdprogramma.
	Comfortwerking: Het toestel houdt de ingestelde comforttemperatuur aan. Standaardwaarde: 21,0 °C. Gebruik deze instelling voor comfortabele kamertemperaturen als u aanwezig bent.
	Verlaagde werking: Het toestel houdt de ingestelde verlaagde temperatuur aan. Standaardwaarde: 18,0 °C. Gebruik deze instelling bijv. 's nachts of wanneer u gedurende enkele uren afwezig bent.
	Adaptieve start: In timerwerking worden de schakeltijden van het verwarmings-toestel dusdanig aangepast dat de ingestelde kamertemperatuur reeds op het geprogrammeerde starttijdstip wordt bereikt. Voorwaarde: de functie "Adaptieve start" is ingeschakeld (zie hoofdstuk "Instellingen/basismenu").
	Venster-open-herkenning: Om nodeloos energieverbruik tijdens het ventileren te vermijden, verlaagt het toestel bij een geopend venster automatisch gedurende één uur de ingestelde kamertemperatuur naar 7,0 °C. Het symbool "Venster-open-herkenning" knippert. U kunt de venster-open-herkenning na het ventileren handmatig beëindigen met de toets "+" of "OK". Het toestel warmt weer op naar de ingestelde kamertemperatuur. Voorwaarde: De venster-open-herkenning is ingeschakeld (zie hoofdstuk "Instellingen/basismenu").
	Bedieningsblokkering: Om het bedieningspaneel te vergrendelen of te ontgrendelen, houdt u de toetsen "+" en "-" gedurende 5 seconden tegelijk ingedrukt.
	Bijkomende verwarming (toebehoren) vrijgegeven: Wanneer de opgeslagen hoeveelheid warmte voor het verwarmen van een ruimte niet meer voldoende is, verwarmt de bijkomende verwarming aanvullend.
	Weergave kamertemperatuur
	Vrijgave ventilator actief: Wanneer de kamertemperatuur daalt tot onder de ingestelde kamertemperatuur, schakelt de ventilator in en geeft verwarmde lucht aan de ruimte af totdat de ingestelde temperatuur bereikt is.
	Parameter bewerkbaar: De weergegeven parameter kan worden gewijzigd met de toetsen "+" en "-".
	Dagen van de week: 1 = maandag, 2 = dinsdag ... 7 = zondag

4.2 Warmteopslag

Met de oplaadregeling wordt de mate van warmteopslag (oplaading) bepaald.

Welke instellingen u op de oplaadregeling dient uit te voeren, is afhankelijk van het feit of u een toestel met of zonder centrale, weersafhankelijke oplaadsturing gebruikt.

De weersafhankelijke oplaadsturing bevindt zich in de schakelkast.

4.2.1 Toestellen met weersafhankelijke oplaadsturing

- ▶ Roep met de toets "Menu" het basismenu op en druk op de toets "OK".
- ▶ Zodra het symbool "Parameter bewerkbaar" verschijnt, stelt u met de toetsen "+" en "-" de afzwakking van de oplaadgraad in op 100%.



Info

Wanneer de warmteafgifte (ontlading) via een aan de wand gemonteerde kamerthermostaat wordt geregeld, stelt u de standaardweergave van de afzwakking van de oplaadgraad met de toetsen "+" en "-" in.

De weersafhankelijke oplaadsturing zorgt voor de juiste oplading.



Info

Raadpleeg daarvoor de handleiding van de oplaadsturing of het groepsregeltoestel.

Om individuele toestellen verschillend te regelen, kunt u via de afzwakking van de oplaadgraad ook een manuele aanpassing van het oplaadvolume uitvoeren.

Wanneer u de afzwakking van de oplaadgraad op 0% instelt, wordt er niet opgeladen.

4.2.2 Toestellen zonder weersafhankelijke oplaadsturing

De oplaadhoeveelheid wordt via de afzwakking van de oplaadgraad ingesteld.

- ▶ Roep met de toets "Menu" het basismenu op en druk op de toets "OK".
- ▶ Zodra het symbool "Parameter bewerkbaar" verschijnt, stelt u met de toetsen "+" en "-" de afzwakking van de oplaadgraad in.



Info

Wanneer de warmteafgifte (ontlading) via een aan de wand gemonteerde kamerthermostaat wordt geregeld, stelt u de standaardweergave van de afzwakking van de oplaadgraad met de toetsen "+" en "-" in.

Daarbij gelden de volgende richtwaarden:

Waarde	Oplaa dhoeveelheid
0 %	Geen oplading (in de zomer)
30 %	Ca. 1/3 van de volledige oplading voor overgangsperiodes zoals lente of herfst
70 %	Ca. 2/3 van de volledige oplading voor milde winterdagen
100 %	Volledige oplading voor koude winterdagen

Na een korte periode van gewinning beschikt u over voldoende ervaring om telkens de juiste instelling te kiezen.

BEDIENING

Instellingen

4.3 Warmteafgifte

De warmteafgifte (ontlading) wordt via de in het toestel geïntegreerde kamerthermostaat of een aan de wand gemonteerde 2-punts kamerthermostaat (zie hoofdstuk "Toebehoren") geregeld.

De kamerthermostaat regelt automatisch de warmteafgifte via de ventilator, zodat de ingestelde kamertemperatuur aangehouden wordt. De vrijgave van de ventilator moet ingeschakeld zijn, zodat de ventilator kan werken.



Info

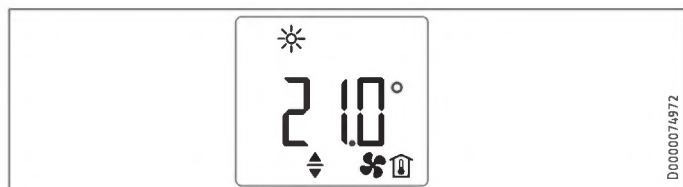
Bij een afwezigheid van meerdere dagen tijdens de verwarmingsperiode is het nuttig om een verlaagde kamertemperatuur van bijv. 10 °C in te stellen. Met deze instelling voorkomt u dat de ruimte te sterk afkoelt (vorstbescherming).

4.3.1 Activering van de ventilator in- en uitschakelen

- Druk op de toets "Ventilator" om de vrijgave van de ventilator in en uit te schakelen. Bij ingeschakelde vrijgave van de ventilator wordt het "Ventilatorsymbool" weergegeven.

5. Instellingen

5.1 Standaardweergave



De standaardweergave wordt continu weergegeven. Wanneer u zich in het menu bevindt en u langer dan 20 seconden geen bediening uitvoert, gaat het toestel automatisch naar de standaardweergave.

In de standaardweergave ziet u de actueel ingestelde kamertemperatuur en het symbool "Parameter bewerkbaar". Met de toetsen "+" en "-" kunt u de ingestelde kamertemperatuur wijzigen.

Wanneer de ingestelde kamertemperatuur overeenkomt met een van de ingestelde waarden voor comfort- of verlaagde temperatuur, verschijnt in de menubalk het symbool van de overeenkomstige werkwijze (comfortwerking, verlaagde werking).

De ingestelde kamertemperatuur kan ook in timerwerking handmatig worden gewijzigd. De gewijzigde kamertemperatuur blijft behouden tot aan het volgende geprogrammeerde schakeltijdstip.

5.2 Basismenu

Om naar het basismenu te gaan, drukt u kort op de toets "Menu". U kunt nu de volgende menuopties oproepen:

Display	Beschrijving
	Afzwakking van de oplaadgraad instellen Voor de dagen waarop een geringere behoefte aan warmte bestaat, kunt u de oplaadhoeveelheid in stappen van 10% handmatig aanpassen.

Display	Beschrijving
	Dag van de week en tijd instellen
	Comforttemperatuur instellen De comforttemperatuur moet minstens 0,5 °C hoger ingesteld zijn dan de verlaagde temperatuur.
	Verlaagde temperatuur instellen De verlaagde temperatuur moet minstens 0,5 °C lager ingesteld zijn dan de comforttemperatuur.
	Functie "Venster-open-herkenning" in- en uitschakelen
	Tijdprogramma (Pro1, Pro2, Pro3) selecteren of deactiveren (off)
	Functie "Adaptieve start" in- en uitschakelen
	Bijverwarming (toebehoren) in- en uitschakelen

Wanneer u de instelling van een menuoptie wijzigen wilt, roept u de gewenste menuoptie op met de toetsen "+" en "-". Druk op de toets "OK".

Zodra het symbool "Parameter bewerkbaar" verschijnt, kunt u met de toetsen "+" en "-" de instelling van de menuoptie wijzigen. Om de instellingen op te slaan, drukt u op de toets "OK".

Om het basismenu te verlaten, drukt u op de toets "Menu". De standaardweergave verschijnt.

5.3 Configuratiemenu

Display	Beschrijving
I1-I2	Actuele waarden
Pro1-Pro3	Tijdprogramma's
P1-P5	Parameters
Code	Toegang voor installateur

In het configuratiemenu kunt u actuele waarden oproepen, de klokprogramma's voor timerwerking programmeren en parameters instellen.

Om naar het configuratiemenu te gaan, houdt u de toets "Menu" ingedrukt. Na ca. 3 seconden wordt de actuele waarde I1 weergegeven.

Met de toetsen "+" en "-" kunt u schakelen tussen de verschillende actuele waarden, tijdprogramma's en parameters.

Om het configuratiemenu te verlaten, drukt u op de toets "Menu". De standaardweergave verschijnt.

BEDIENING

Instellingen

5.3.1 Actuele waarden

U kunt de volgende actuele waarden oproepen:

Display	Beschrijving	Eenheid
I1	Actuele waarde kamertemperatuur	[°C] [°F]
I2	Relatieve verwarmingsduur (Met parameter P5 kunt u de teller resetten.)	[h]



De teller voor de relatieve verwarmingsduur (I2) telt de tijd van de oplading in volle bedrijfsuren. Wanneer het toestel een volledig uur, ook gedeeltelijk, opgeladen werd, wordt de teller verhoogd.

5.3.2 Tijdprogramma's

Om het toestel in timerwerking te gebruiken, beschikt u over drie tijdprogramma's. De tijdprogramma's Pro1 en Pro2 zijn in de fabriek voorgeconfigureerd. U kunt het tijdprogramma Pro3 instellen volgens uw individuele wensen.

Display	Beschrijving
Pro1	Tijdprogramma "Dagelijks" - herhaling: maandag tot zondag
Pro2	Tijdprogramma "Werkdag" - herhaling: maandag tot vrijdag
Pro3	Tijdprogramma "Door gebruiker gedefinieerd" - tot 14 comfortfasen vrij configureerbaar



Wanneer u de timerwerking wilt gebruiken, dient u in het basismenu het gewenste tijdprogramma te selecteren (zie hoofdstuk "Instellingen/basismenu").



Let er bij het instellen van de tijdprogramma's op dat de dag van de week en de tijd correct ingesteld zijn.



Voor alle tijdprogramma's (Pro1, Pro2, Pro3) geldt: Wanneer het eindtijdstip na 23:59 uur ligt, wordt het eindtijdstip automatisch op de volgende dag van de week geplaatst. De comfortfase wordt over middernacht aangehouden en eindigt de volgende dag van de week op het ingestelde eindtijdstip.

Tijdprogramma's Pro1 en Pro2

Met de tijdprogramma's Pro1 en Pro2 kunt u het start- en eindtijdstip van de comfortwerking bepalen. Gedurende die tijd verwarmt het toestel naar de ingestelde comforttemperatuur. Buiten deze gedefinieerde tijd werkt het toestel in verlaagde werking. Daaruit resulteert een comfort- en een nachtfase, die dagelijks (Pro1) of elke werkdag (Pro2) worden herhaald.

In de fabriek zijn deze fasen als volgt geconfigureerd:

- 08:00 uur - 22:00 uur: Comfortwerking
- 22:00 uur - 8:00 uur: Verlaagde werking



Bij geactiveerd tijdprogramma Pro2 werkt het toestel tijdens het weekend uitsluitend in verlaagde werking.

Om de tijdprogramma's Pro1 en Pro2 aan te passen aan uw behoeften, gaat u als volgt te werk:

- ▶ Roep in het configuratiemenu het gewenste tijdprogramma op met de toetsen "+" en "-".
- ▶ Druk op de toets "OK".
Het starttijdstip voor comfortwerking wordt weergegeven.
- ▶ Stel het gewenste starttijdstip in met de toetsen "+" en "-".
- ▶ Druk op de toets "OK".
Het eindtijdstip voor comfortwerking wordt weergegeven.
- ▶ Stel het gewenste eindtijdstip in met de toetsen "+" en "-".
- ▶ Druk op de toets "OK" om op te slaan.

Tijdprogramma Pro3

Met tijdprogramma Pro3 kunt u tot 14 afzonderlijke comfortfasen definiëren, die wekelijks worden herhaald.

Om in tijdprogramma Pro3 een comfortfase te configureren, gaat u als volgt te werk:

- ▶ Roep in het configuratiemenu tijdprogramma Pro3 op met de toetsen "+" en "-".
- ▶ Druk op de toets "OK".
Het display toont "3--".
- ▶ Druk op de toets "OK".
Een dag van de week of een groep wekdagen wordt weergegeven.
- ▶ Stel de gewenste dag van de week of de gewenste groep wekdagen in met de toetsen "+" en "-".
- ▶ Druk op de toets "OK".
Het starttijdstip voor comfortwerking wordt weergegeven.
- ▶ Stel het gewenste starttijdstip in met de toetsen "+" en "-".
- ▶ Druk op de toets "OK".
Het eindtijdstip voor comfortwerking wordt weergegeven.
- ▶ Stel het gewenste eindtijdstip in met de toetsen "+" en "-".
- ▶ Druk op de toets "OK".
De comfortfase "3-01" is geconfigureerd.
- ▶ Om een andere comfortfase te configureren, selecteert u in tijdprogramma Pro3 de weergave "3--" met de toetsen "+" en "-". Ga te werk zoals beschreven.



Om de ingestelde comfortfasen te resetten, activeert u parameter P4.

- ▶ Merk op dat door parameter P4 te activeren, alle tijdprogramma's (Pro1, Pro2, Pro3) weer in de levensringstoestand worden gezet.

5.3.3 Parameters

U kunt de volgende parameters oproepen:

Display	Beschrijving	Opties
P1	Offset kamertemperatuur	±3 °C ±5 °F
P2	Tijdnotatie	12 h 24 h
P3	Eenheid temperatuurweergave	°C °F
P4	Tijdprogramma's (timerwerking) resetten.	on off
P5	Relatieve verwarmingsduur resetten	on off

Wanneer u de waarde van een parameter wilt wijzigen, roept u de overeenkomstige parameter op met de toetsen "+" en "-". Druk op de toets "OK".

Zodra het symbool "Parameter bewerkbaar" verschijnt, kunt u de waarde van de parameter wijzigen met de toetsen "+" en "-". Druk op de toets "OK" om de ingestelde waarde op te slaan.

P1: Offset kamertemperatuur

Een ongelijkmatige temperatuurverdeling in de ruimte kan tot een verschil leiden tussen de weergegeven actuele temperatuur I1 en de door u gemeten kamertemperatuur. Om dit verschil te compenseren, kunt u met parameter P1 een kamertemperatuur-offset van ±3 °C instellen.

Voorbeeld: Het toestel geeft I1 = 21,0 °C aan. De door u gemeten kamertemperatuur bedraagt 20,0 °C. Er is een verschil van 1,0 °C.

- Om het verschil te compenseren, stelt u een offset van P1 = -1,0 in.

P2: Tijdnotatie

Met parameter P2 kunt u definiëren of de tijd wordt weergegeven in 12-uurs- of 24-uurs notatie.

P3: Eenheid temperatuurweergave

Met parameter P3 kunt u bepalen of de kamertemperatuur wordt weergegeven in graden Celsius [°C] of in graden Fahrenheit [°F].

P4: Tijdprogramma's resetten

Door parameter P4 te activeren, zet u alle tijdprogramma's weer in de leveringstoestand.

P5: Relatieve verwarmingsduur resetten

Door parameter P5 te activeren, zet u de teller voor de relatieve verwarmingsduur (I2) terug.

5.3.4 Toegang voor installateur

Display	Beschrijving
Code	Toegang voor installateur



Info

Een aantal menuopties is beschermd met een code; ze kunnen alleen door een installateur bekeken en ingesteld worden.

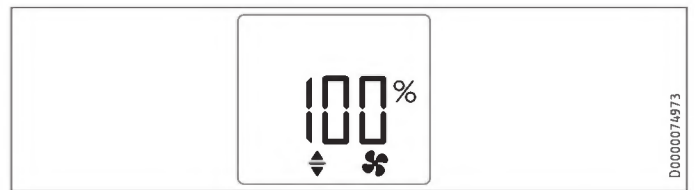
6. Instellingen bij een aanwezige, aan de wand gemonteerde kamerthermostaat



Info

Wanneer u de warmteafgifte (ontlading) via een aan de wand gemonteerde kamerthermostaat regelt, zijn er op het toestel slechts zeer beperkte instelmogelijkheden beschikbaar.

6.1 Standaardweergave



De standaardweergave wordt continu weergegeven. Wanneer u zich in het menu bevindt en u langer dan 20 seconden geen bediening uitvoert, gaat het toestel automatisch naar de standaardweergave.

In de standaardweergave ziet u de actuele instelling van de afzwakking van de oplaadgraad alsmede het symbool "Parameter bewerkbaar". Met de toetsen "+" en "-" kunt u voor de dagen waarop een geringere behoefte aan warmte bestaat, de oplaadhoeveelheid in stappen van 10 % handmatig aanpassen.

6.2 Basismenu



Info

U kunt het basismenu alleen oproepen, wanneer uw toestel uitgerust is met een bijverwarming (toebehoren).

Om naar het basismenu te gaan, drukt u kort op de toets "Menu".

Display	Beschrijving
	Bijverwarming (toebehoren) in- en uitschakelen Ook bij een aan de wand gemonteerde kamerthermostaat met bijverwarmingsschakelaar moet de bijverwarming in het basismenu ingeschakeld zijn.

Wanneer u de instelling van de menuoptie wilt wijzigen, drukt u op de toets "OK".

Zodra het symbool "Parameter bewerkbaar" verschijnt, kunt u met de toetsen "+" en "-" de instelling van de menuoptie wijzigen. Om de instelling op te slaan, drukt u op de toets "OK".

Om het basismenu te verlaten, drukt u op de toets "Menu". De standaardweergave verschijnt.

6.3 Configuratiemenu

Display	Beschrijving
I2	Actuele waarde
P5	Parameters
Code	Toegang voor installateur

Om naar het configuratiemenu te gaan, houdt u de toets "Menu" ingedrukt. Na ca. 3 seconden wordt de actuele waarde I2 weer gegeven.

Met de toetsen "+" en "-" kunt u schakelen tussen de actuele waarde en de parameter.

Om het configuratiemenu te verlaten, drukt u op de toets "Menu". De standaardweergave verschijnt.

6.3.1 Actuele waarde

Display	Beschrijving	Eenheid
I2	Relatieve verwarmingsduur (Met parameter P5 kunt u de teller resetten.)	[h]



Info

De teller voor de relatieve verwarmingsduur (I2) telt de tijd van de oplading in volle bedrijfsuren. Wanneer het toestel een volledig uur, ook gedeeltelijk, opgeladen werd, wordt de teller verhoogd.

6.3.2 Parameters

Display	Beschrijving	Opties
P5	Relatieve verwarmingsduur resetten Door de parameter te activeren, reset u de teller voor de relatieve verwarmingsduur (I2).	on off

Wanneer u de instelling van de parameter wilt wijzigen, druk dan op de toets "OK".

Zodra het symbool "Parameter bewerkbaar" verschijnt, kunt u met de toetsen "+" en "-" de instelling van de parameter wijzigen. Om de instelling op te slaan, drukt u op de toets "OK".

6.3.3 Toegang voor installateur

Display	Beschrijving
Code	Toegang voor installateur



Info

Een aantal menuopties is beschermd met een code; ze kunnen alleen door een installateur bekeken en ingesteld worden.

7. Reiniging, verzorging en onderhoud



Materiële schade

- Spuit geen reinigingsspray in de luchtspleten.
- Let erop dat er geen vocht binnendringt in het toestel.

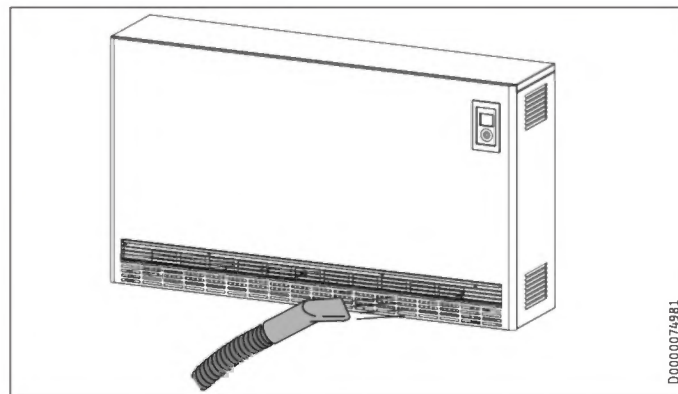
- Als er een lichte, bruinachtige verkleuring optreedt op de behuizing van het toestel, veegt u deze met een vochtige doek af.
- Reinig het toestel in afgekoelde toestand met gebruikelijke onderhoudsmiddelen. Vermijd schurende en bijtende onderhoudsmiddelen.

7.1 De pluizenzeef reinigen



Info

Maak de pluizenzeef achter de luchttoevoer regelmatig schoon. Dat waarborgt een storingvrije ontlading van het toestel. Schakel bij een verstopte pluizenzeef de ventilatoren uit.



- Maak de pluizenzeef achter de luchttoevoer schoon met een stofzuiger.

8. Problemen verhelpen

Probleem	Oorzaak	Oplossing
Het toestel wordt niet warm.	Het is niet of te laag ingesteld op opladen.	Stel een hogere oplading in.
	De temperatuur is te laag ingesteld op het toestel.	Controleer de ingestelde kamertemperatuur. Regel eventueel bij.
	De ventilatorvrijgave is uitgeschakeld.	Schakel de ventilatorvrijgave in.
De ruimte wordt niet warm genoeg hoewel het toestel warm wordt.	Probleem met de voeding.	Controleer de zekering en de aardlekschakelaar in uw huisinstallatie.
	Oververhitting. De veiligheidstemperatuurbegrenzer begrenst het verwarmingsvermogen.	Verhelp de oorzaak (vuil of hindernissen bij de luchtaanvoer of lucht-afvoer). Let op de minimumafstanden!
De ruimte wordt niet warm genoeg hoewel het toestel warm wordt.	De warmtebehoefte van de ruimte is groter dan het vermogen van het toestel.	Verhelp de warmteverliezen (sluit vensters en deuren. Vermijd continue ventilatie.)
	De oplaadsturing en/of de oplaadregelaar is verkeerd ingesteld.	Pas de instellingen aan.
Het toestel geeft ook bij mild weer te veel warmte af.	De temperatuur is te hoog ingesteld op het toestel.	Controleer de ingestelde kamertemperatuur. Regel eventueel bij.
De ruimte wordt te warm.	De pluizenseef is verstopt.	Zie het hoofdstuk "Reiniging, verzorging en onderhoud".
Het toestel wordt niet ontladen.	Het toestel herkent geen duidelijke temperaturodaling door ventileren. (De venster-open-herkenning gaat uit van een stabiele kamertemperatuur.)	Wacht na instellingen op het toestel een tijdje tot de kamertemperatuur zich volledig gestabiliseerd heeft. Vermijd hindernissen voor de luchtuitwisseling tussen het toestel en de kamerlucht. Blokkeer de ventilator tijdens het ventileren.
De venster-open-herkenning reageert niet.	De venster-open-herkenning is niet geactiveerd.	Schakel de venster-open-herkenning in het basismenu in.
De functie "Adaptieve start" werkt niet zoals gewenst.	De functie werkt alleen in timerwerking.	Gebruik de timerwerking voor een geoptimaliseerd verwarmingscomfort.
	De kamertemperatuur schommelt sterk of het leerproces van het toestel is niet afgesloten.	Wacht enkele dagen tot het gedrag zich gestabiliseerd heeft.
	De functie "Adaptieve start" is niet geactiveerd.	Schakel de functie "Adaptieve start" in het basismenu in.
Het display toont "E1", "E2" of "E3".	Er werd een interne fout vastgesteld.	Informeer de installateur.



Info

Het effect van gewijzigde instellingen en opgeloste storingen op de oplaadsturing treedt pas in werking als het toestel weer wordt opgeladen.

Waarschuw de installateur, wanneer u de oorzaak niet zelf kunt verhelpen. Hij kan u sneller en beter helpen als u hem het nummer op het typeplaatje doorgeeft (000000-0000-000000).

INSTALLATIE

9. Veiligheid

Installatie, ingebruikname, onderhoud en reparatie van het toestel mogen alleen door een gekwalificeerde installateur uitgevoerd worden.

9.1 Algemene veiligheidsaanwijzingen

Wij waarborgen de goede werking en de bedrijfszekerheid uitsluitend bij gebruik van originele onderdelen en vervangingsonderdelen voor het toestel.

9.2 Voorschriften, normen en bepalingen



WAARSCHUWING elektrische schok

Voer alle werkzaamheden voor elektriciteitsaansluitingen en montage uit conform de voorschriften.



WAARSCHUWING elektrische schok

Aansluiting op het elektriciteitsnet is alleen als vaste aansluiting mogelijk.

Het toestel moet op alle polen met een afstand van minstens 3 mm van de aansluiting van het net kunnen worden losgekoppeld.



Materiële schade

Houd rekening met de specificaties op het typeplaatje. De aangegeven spanning moet overeenkomen met de netspanning. Dimensioneer alle componenten voor het nominale verbruik van het toestel.



Materiële schade

Zet het toestel zo vast aan de wand of op de vloer dat de stabiliteit is gewaarborgd.



Materiële schade

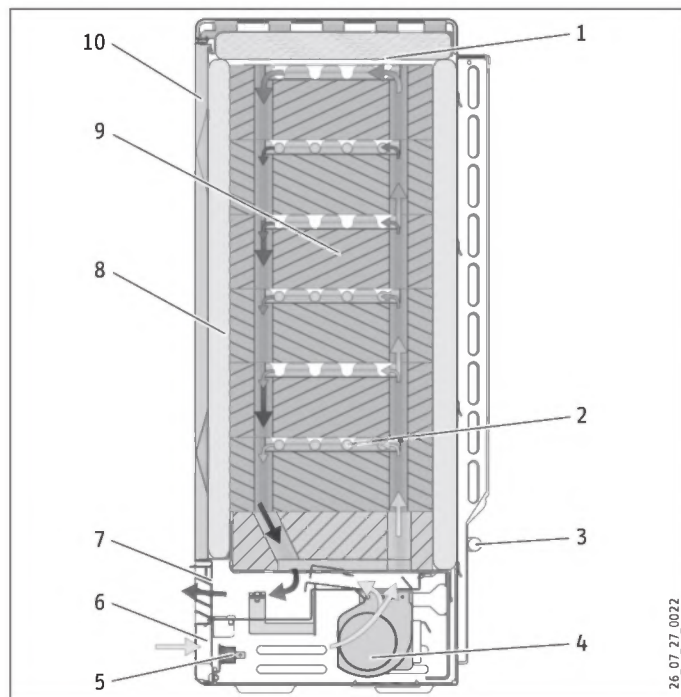
- Installeer het toestel niet direct onder een stopcontact.
- Let erop dat de aansluitkabel niet in contact komt met de onderdelen van het toestel.



Materiële schade

Neem alle nationale en regionale voorschriften en bepalingen in acht.

10. Toestelbeschrijving



- 1 Afdekplaat
- 2 Verwarmingselement
- 3 Kamertemperatuursensor
- 4 Ventilator (M1)
- 5 Veiligheidsthermostaat (N5)
- 6 Luchttoevoer
- 7 Luchtafvoer
- 8 Isolatie
- 9 Accumulatorstenen
- 10 Voorwand en inwendige voorwand

10.1 Werkwijze

De accumulatorstenen worden met behulp van de tussen de rijen accumulatorstenen liggende verwarmingselementen verhit. Met de oplaadregelaar wordt het opladen ingesteld. Begin en duur van de oplaadtijd worden door de desbetreffende energiemaatschappij bepaald.

Twee ingebouwde veiligheidsthermostaten en een veiligheidstemperatuurbegrenzer beschermen het toestel tegen oververhitting. De veiligheidsthermostaten hebben een automatische resetfunctie, maar de veiligheidstemperatuurbegrenzer moet na het verhelpen van een storing door middel van het indrukken van de midden op de begrenzer aangebrachte knop worden gereset.

De opgeslagen warmte wordt met behulp van een ventilator en gedeeltelijk via het oppervlak van het toestel afgegeven. Daartoe wordt de lucht uit de ruimte waarin het toestel zich bevindt, met behulp van de ventilator door het luchttoevoerrooster aangezogen en door de luchtkanalen van de accumulatorstenen geblazen, waarbij deze wordt verhit.

Voordat de op die manier verwarmde lucht weer door het luchtafvoerrooster uitstroomt, wordt deze via twee luchtmengkleppen met koudere lucht uit de ruimte vermengd, zodat de uitstromende lucht de maximaal toelaatbare temperatuur niet overschrijdt. De stand van de luchtmengklep en dus de mengverhouding van warme en koude lucht, wordt gestuurd met een bimetaalregelaar.

10.2 Inhoud van het pakket

Bij het toestel wordt het volgende geleverd:

- Accumulatorstenen

10.3 Toebehoren

- 2-punt-kamerthermostaat (ontlaadregeling)
- Bijverwarming
- Module DC Control Input (DC-stuursignaal)

11. Voorbereidingen



Materiële schade

Zorg ervoor dat tussen alle aansluitingen van de netspanningszijde L, L1 en de verschillende stuursignalen SL, A1, A2, LF, SH, LE en LH een potentiaalverschil van max. 230 V aangehouden wordt.



Info

Klemmen L en N van klemmenstrip X2 moeten continu onder spanning staan.



Info

Bij het aansluiten van het toestel op een automatische oplaadsturing (bijv. EAC 4) moet de oplaadsturing voor elektronische oplaadregelaars zonder spanningscorrectie ingesteld worden.

11.1 Montageplaats



WAARSCHUWING verbranding

- Verifieer of de bevestigingswand temperatuurbestendig is tot 85 °C en de vloer tot minstens 80 °C.
- Houd de minimale afstanden tot naastliggende oppervlakken aan.



Info

Wanneer het toestel in ruimten opgesteld wordt waar uitlaatgassen, olie- of benzinedampen voorkomen, of waar met oplosmiddelen en chemicaliën wordt gewerkt, kan bij gebruik de geur lang in het toestel blijven hangen en eventueel verontreiniging van het toestel veroorzaken.



Materiële schade

Het toestel moet aansluitend op de wand geplaatst worden.

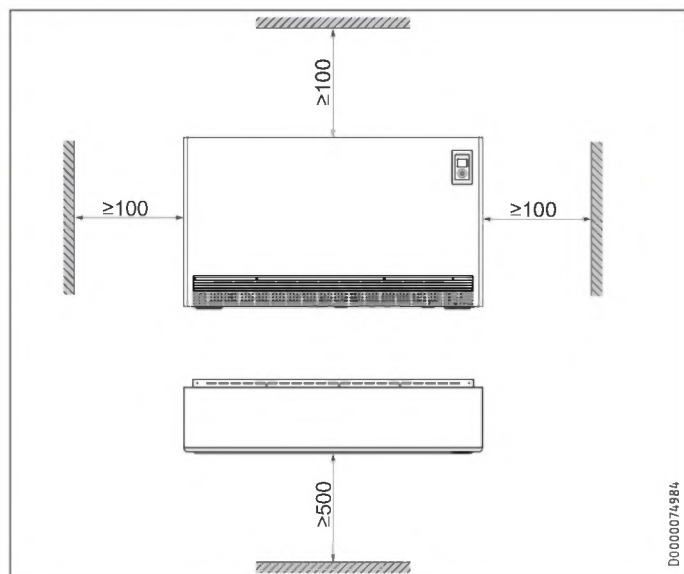
Het montagevlak voor het toestel moet effen zijn en voldoende draagvermogen hebben. Meer gegevens over het gewicht van het toestel vindt u in het hoofdstuk "Technische gegevens/gegevenstabel".

► Neem bij twijfel contact op met een bouwexpert.

De toestellen kunnen op iedere gangbare vloer geplaatst worden, maar in de steunzone kunnen bij PVC-, parket- en lang- of hoogpolige tapijtvloeren onder druk en warmte-inwerking veranderingen optreden. In deze gevallen moeten warmtebestendige onderlegplaten gebruikt worden (ter plaatse aan te schaffen).

De stabiliteit van het toestel moet verzekerd worden door bevestiging op de wand of op de vloer (zie hoofdstuk "Montage/ montagevarianten").

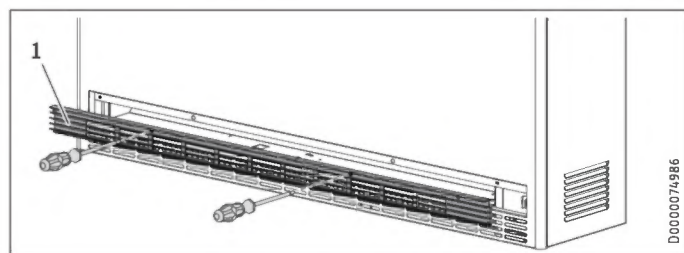
11.2 Minimumafstanden



- Controleer of de warme lucht ongehinderd uit het toestel kan stromen.

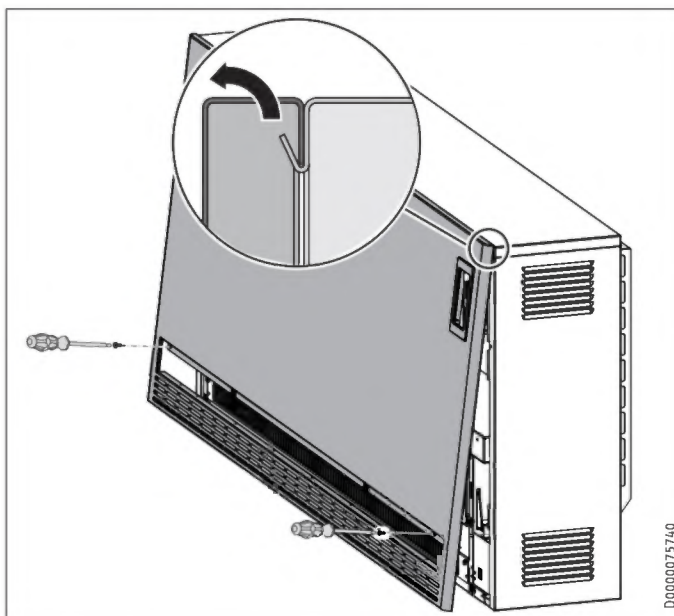
12. Montage

12.1 Toestel openen

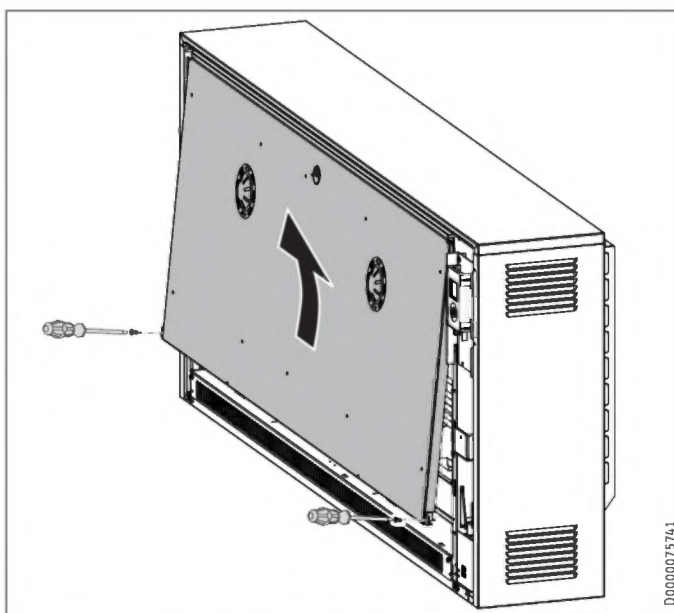


1 Luchtafvoerrooster

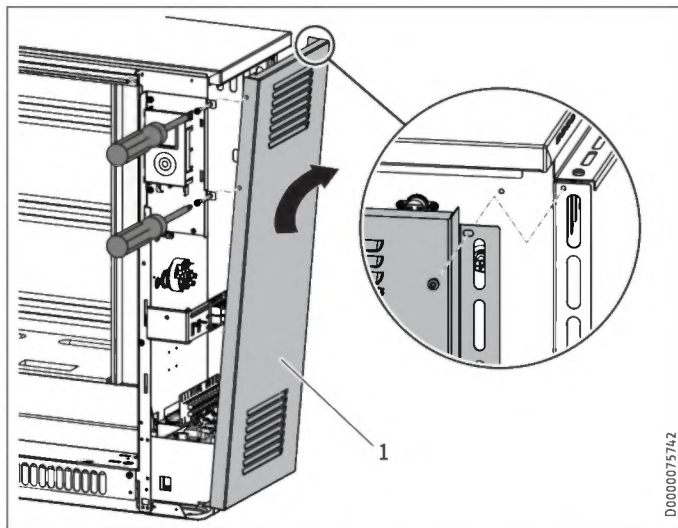
- Draai de beide kwart-draaisluitingen van het luchtafvoerrooster los en verwijder het rooster.



- Maak de schroeven aan de voorwand los.
- Trek de voorwand naar voren en til deze van het toestel.



- Draai de schroeven van de inwendige voorwand aan de onderste schuine kant los.
- Trek de binnenste voorwand naar voren en til deze van het toestel.



1 Rechterzijwand (met losgemaakte schroefkoppeling)

- ▶ Maak de 3 schroeven voor en achter aan de rechterzijwand los.
- ▶ Trek de zijwand iets naar voren en kantel deze omhoog naar de zijkant.
- ▶ Til de zijwand iets op en verwijder deze.

12.2 Opladregeling instellen



Info

Houd rekening met het volgende. Na montage kunt u deze instellingen afhankelijk van de montageplaats en de montagevariant in bepaalde gevallen slechts beperkt uitvoeren.

12.2.1 Aansluitvermogen reduceren

De aansluitcapaciteit van het toestel is in de fabriek bedraad voor het maximaal vermogen (100%).

Door het omzetten of verwijderen van bruggen op de aansluitklemmen kunt u het aansluitvermogen met 3 vermogenstrappen reduceren (zie hoofdstuk "Technische gegevens/aansluitvermogen reduceren").

De dimensionering van de kabeldiameter en de beveiliging moeten zo uitgevoerd worden dat ze geschikt zijn voor het maximaal mogelijke vermogen van het toestel.



Info

Neem de voorschriften van het plaatselijke energiebedrijf in acht.

12.2.2 Vermogensaanpassing overeenkomstig een verhoogde nominale oplaadduur

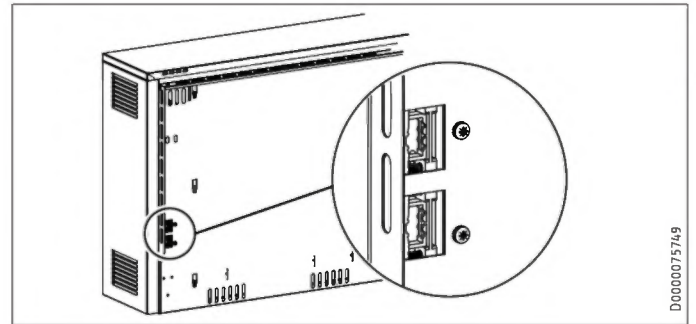
Door het omzetten resp. verwijderen van bruggen op de aansluitklemmen kan het aansluitvermogen aangepast worden aan de door de energiebedrijven vastgestelde nominale oplaadduur. In de fabriek is de warmteaccumulator gedimensioneerd voor een nominale oplaadduur van 8 uur.

- ▶ Houd rekening met de gegevens in het hoofdstuk "Technische gegevens/vermogensaanpassing".

12.2.3 Aansluiting op DC-stuursignaal

Wanneer in de installatie een oplaadsturing met DC-stuursignaal (gelijkspanning 0,91 V - 1,43 V) geïnstalleerd is, heeft u de module DC Control Input (toebereid) nodig. Het DC-stuursignaal moet aan klemmen A1/Z1 "DC + (pluspool)" en A2/Z2 "DC - (minpool)" op de klemmenstrip X3 aangesloten worden. Let op de polariteit.

12.3 Netaansluiting/aansluitkabels



WAARSCHUWING elektrische schok

▶ Voordat er werkzaamheden aan het toestel uitgevoerd worden, dient u de aansluitkabels in de schakelkast spanningsvrij te schakelen.

- ▶ Leid de kabels voor netvoeding en de kabels voor oplaad- en ontladregelaar door de openingen in de achterwand van het toestel naar binnen en sluit deze aan (zie hoofdstuk "Technische gegevens/schakelschema").
- ▶ Zet de aansluitkabels ca. 260 mm af en kort deze naar behoefte in. De kabels mogen niet tegen de luchtspleten in de zijwand komen.

12.4 Elektrische aansluiting

12.4.1 Algemeen



WAARSCHUWING elektrische schok

Bij aansluiting van het toestel op een automatische oplaadsturing kan er, ook als de zekeringen zijn verwijderd, spanning optreden op de klemmen A1/Z1 en A2/Z2!

De elektrische aansluiting van de verwarmingselementen geschiedt met 3/N/PE~400 V. Met de module éénfase-aansluiting (toebereid) is ook aansluiting met 1/N/PE~230 V mogelijk.

Aansluiting met NYM is mogelijk. Het aantal voedingskabels en kabeladers, alsmede de kabeldiameters zijn afhankelijk van de aansluitwaarde van het toestel en de soort netaansluiting, evenals bijzondere voorschriften van de energiebedrijven.

Houd rekening met het schakelschema en de vermogenstrappen (zie hoofdstuk "Technische gegevens").

12.4.2 Het toestel aansluiten



WAARSCHUWING elektrische schok
Het is absoluut noodzakelijk om te zorgen voor een onberispelijke aansluiting van de aardleiding.



WAARSCHUWING elektrische schok
Aansluitkabels mogen niet beschadigd raken, eraf getrokken of uit het toestel getrokken worden.
▶ Plaats de aansluitkabels dienovereenkomstig.



Info
Klemmen L en N van klemmenstrip X2 moeten continu onder spanning staan.

- ▶ Zorg voor trekontlasting van de aansluitkabels en sluit die overeenkomstig het schakelschema in het toestel (op de binnenzijde van de rechterzijwand) of conform het schakelschema in het hoofdstuk "Technische gegevens" aan.

Wanneer de hoekplaat die in de schakelruimte is gemonteerd voor de bevestiging van de netaansluitklemmen, moeilijk bereikbaar is omdat de afstand tot de zijkant te beperkt is, kunt u die plaat naar voren zwenken nadat u de bevestigingsschroef hebt losgedraaid.

12.4.3 Aansturing zonder verwarmingsbeveiliging

Als er geen verwarmingsbeveiliging gemonteerd moet worden (soms door het energiebedrijf vereist), kan de functie van de elektronica van de warmteaccumulator gebruikt worden.

- ▶ Daarvoor sluit u ofwel de signalen van het elektriciteitsbedrijf LF en N ofwel de signalen SH en N van de betreffende oplaadsturing rechtstreeks aan op de klemmen LF/SH en N van de warmteaccumulator.
- ▶ Stel in het configuratiemenu parameter P15 in op 1 (zie hoofdstuk "Installatie/instellingen").

De verwarmingselementen in het toestel worden pas ingeschakeld, wanneer het energiebedrijf LF heeft vrijgegeven en de elektronische oplaadregelaar het opladen vrijgeeft.

12.4.4 Typeplaatje toestel



Info
Documenteer het aansluitvermogen en de nominale oplaadduur.

- ▶ Markeer daarvoor de betreffende vakjes op het typeplaatje.

12.5 Montagevarianten

12.5.1 Wandbevestiging

(bij een wand met voldoende draagvermogen)

Voor montage aan de wand is in de achterwand van het toestel ter hoogte van de schakelruimte een gat aangebracht.

- ▶ Schroef het toestel met een geschikte schroef op de wand zodat het niet kan kantelen.

12.5.2 Vloerbevestiging

Optioneel kunt u het toestel door vier gaten (Ø 9 mm) in de toestelvoeten aan de vloer vastschroeven.

- ▶ Demonteer het luchtafvoerrooster, de voorwand en de luchtgeleidingsmodule (zie hoofdstuk "Montage/toestel openen en het toestel reinigen").
- ▶ Schroef het toestel met geschikte schroeven vast aan de vloer.

12.6 Accumulatorstenen plaatsen



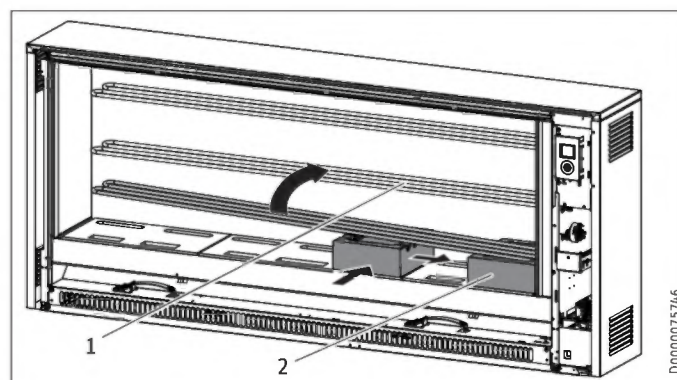
WAARSCHUWING verbranding
Beschadigd isolatiemateriaal kan leiden tot oververhitting van de behuizing.

- ▶ Controleer de warmte-isolatie in het toestel op transportschade.
- ▶ Vervang beschadigde delen van het isolatiemateriaal.

In het toestel mogen zich geen vreemd voorwerpen meer bevinden, zoals resten van verpakkingsmateriaal.

- ▶ Verwijder de afdekplaat en het karton uit het inwendige van het toestel.

De accumulatorstenen worden afzonderlijk verpakt geleverd. U kunt accumulatorstenen met lichte transportschade gebruiken. De werking van het toestel wordt daardoor niet nadelig beïnvloed.

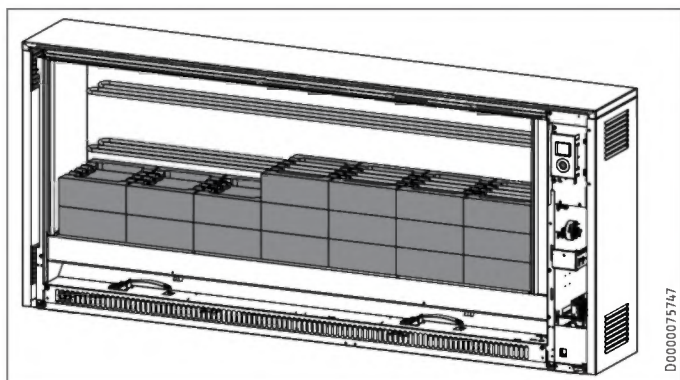


- 1 Verwarmingselement
- 2 Accumulatorsteen

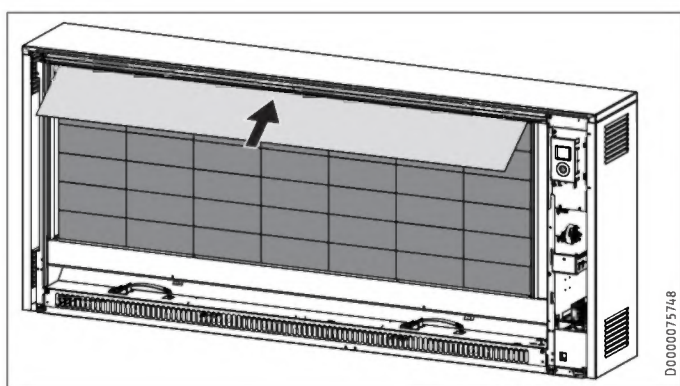
- ▶ Til het verwarmingselement iets op om de accumulatorstenen te kunnen plaatsen.
- ▶ Let er bij het optillen van het verwarmingselement op dat de doorvoeropeningen in het isolatiemateriaal in de zijwand niet door het verwarmingselement worden opgerekt.
- ▶ Leg de eerste accumulatorsteen, met de uitholling voor het verwarmingselement omhoog op enige afstand van het isolatiemateriaal aan de rechterzijde.
- ▶ Schuif de accumulatorsteen tegen het isolatiemateriaal rechts en achteraan. De slobgaten vormen de luchtkanalen.

INSTALLATIE

Montage



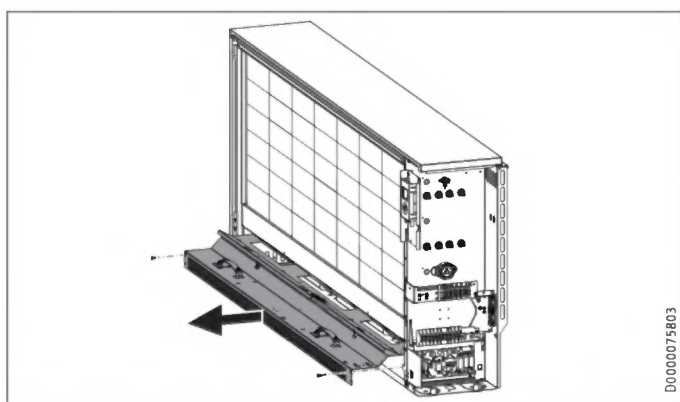
- ▶ Plaats de andere accumulatorstenen in de aangegeven volgorde.



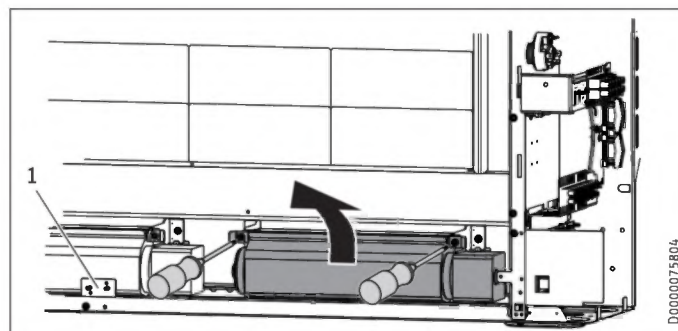
- ▶ Schuif de afdekplaat die u uit de binnenuimte had verwijderd, op de bovenste accumulatorstenen.

12.7 Het toestel reinigen

- ▶ Maak het toestel schoon nadat u het hebt gemonteerd en de accumulatorstenen hebt geplaatst. Ga daarvoor als volgt te werk:



- ▶ Demonteer de luchtleidingskit.



1 Veiligheidsthermostaat (N5)

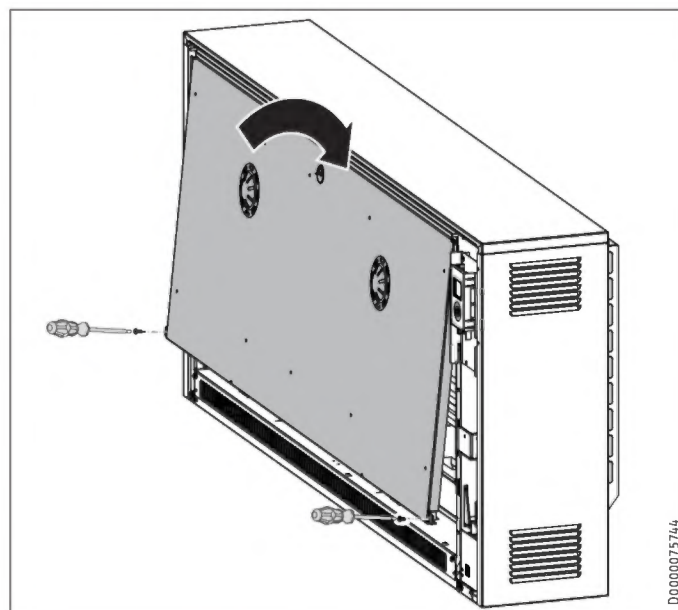
- ▶ Hef de ventilator op en verwijder deze. Draai daarvoor de schroeven aan de voorzijde van de bevestigingsbeugels los.
- ▶ Let op de plaatsing van de kabels.

Bij sommige toestellen zult u daartoe eerst de veiligheidsthermostaat (N5) met de montageplaat af moeten schroeven.

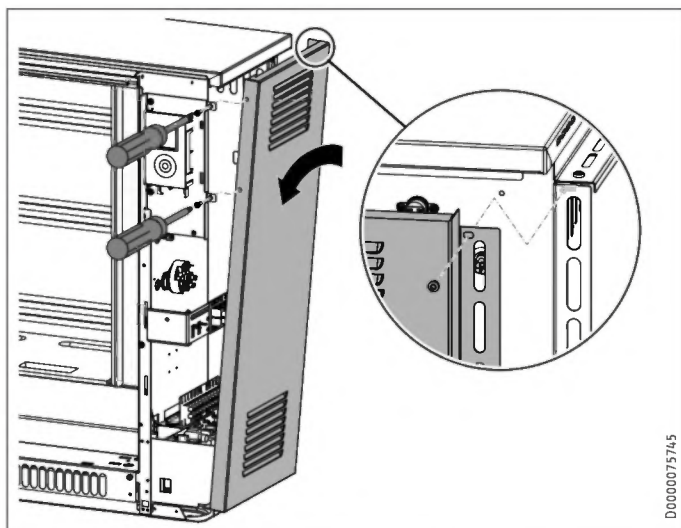
! **Materiële schade**
Let er bij het terzijde leggen van gedemonteerde onderdelen op dat de kabelstrengen niet beschadigd raken.

- ▶ Maak de bodemplaat en de ventilator schoon. Pas op dat u de lamellen niet beschadigt.
- ▶ Monteer vervolgens opnieuw de ventilator, eventueel de veiligheidsthermostaat en de luchtgeleidingsmodule.
- ▶ Let op de juiste plaatsing van de kabels.

12.8 Het toestel sluiten

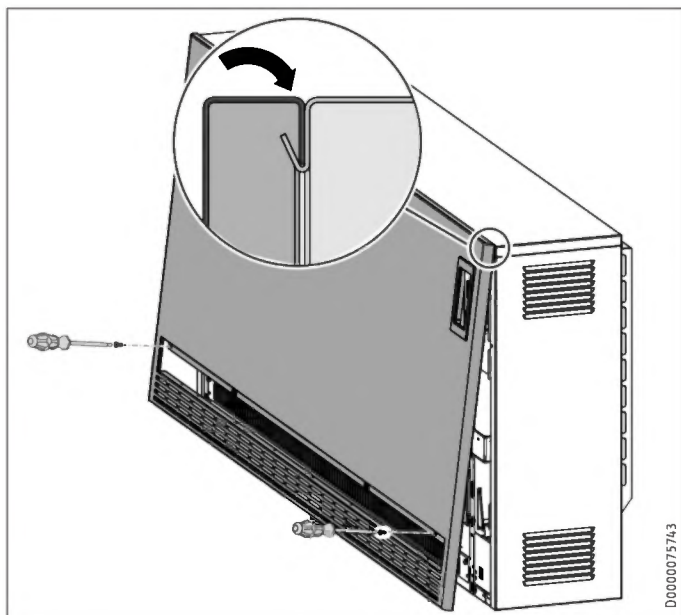


- ▶ Plaats de binnenste voorwand terug.



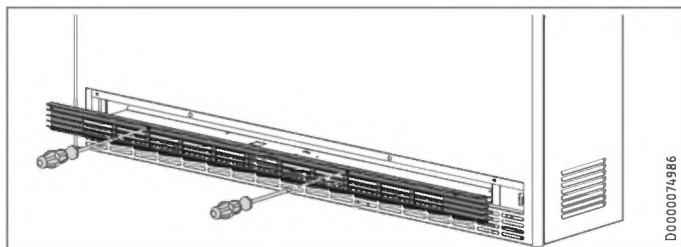
D0000075745

- ▶ Plaats de rechterzijwand aan de onderkant erin en kantel deze boven tegen het toestel aan.
- ▶ Haak de zijwand boven in het deksel en druk deze naar achter. Let erop dat de zijwand tegen de houdplaat van de bedieningseenheid ligt.
- ▶ Schroef de zijwand met de 3 schroeven incl. tandringen vast.



D0000075743

- ▶ Verwijder vóór montage van de voorwand de beschermfolie van de bedieningseenheid.
- ▶ Plaats de voorwand weer terug.
- ▶ Schroef de voorwand met de schroeven incl. tandringen vast.



D0000074986

- ▶ Zet het luchtafvoerrooster met de beide kwart-draaivergrendelingen vast.

13. Instellingen

13.1 Configuratiemenu

Om naar het configuratiemenu te gaan, houdt u de toets "Menu" ingedrukt. Na ca. 3 seconden wordt de actuele waarde I1 weergegeven.

Display	Beschrijving
I1-I2	Actuele waarden
Pro1-Pro3	Tijdprogramma's
P1-P5	Parameters
Code	Toegang voor installateur

Na de invoer van een cijfercode met vier posities worden aanvullende actuele waarden en parameters vrijgeschakeld die voorbehouden zijn aan de installateur.

Toegangsniveau	Beschrijving
A0	Actuele waarden en parameters die voor de gebruiker van het toestel vrijgegeven zijn en daarom zonder code toegankelijk zijn.
A1	Actuele waarden en parameters voor de installateur.

13.1.1 Code invoeren

De code die in de fabriek geprogrammeerd is, is 1000.

- ▶ Roep met de toets "+" of "-" de menuoptie "CodE" op. Afwisselend met de menuoptie wordt toegangsniveau A0 weergegeven.
- ▶ Druk op de toets "OK". De code-invoer wordt weergegeven. Het eerste cijfer knippert.
- ▶ Voer met de toets "+" of "-" code 1000 in. Druk na elk ingevoerd cijfer op de toets "OK".

Nadat de code correct is ingevoerd, worden de actuele waarden en parameters zichtbaar die eerder waren geblokkeerd.

13.1.2 Actuele waarden

Display	Beschrijving	Toegangsniveau	Eenheid
I1	Actuele waarde kamertemperatuur	A0	[°C] [°F]
I2	Relatieve verwarmingsduur (Met parameter P5 kunt u de teller resetten.)	A0	[h]
I3	Gewenste oplaadgraad volgende oplading	A1	[%]
I4	Actuele oplaadgraad	A1	[%]

INSTALLATIE

Instellingen

13.1.3 Parameters

Display	Beschrijving	Toegangsniveau	Opties
P1	Offset kamertemperatuur	A0	±3 °C ±5 °F
P2	Tijdnotatie	A0	12 h 24 h
P3	Eenheid temperatuurweergave	A0	°C °F
P4	Tijdprogramma's resetten	A0	on off
P5	Relatieve verwarmingsduur resetten	A0	on off
P6	SL-stuursignaal	A1	0 1
P7	Type ventilatorbesturing	A1	0 1
P8	Uitschakeltemperatuur verlagen	A1	100% 90% 80% 70%
P12	Bijverwarming	A1	0 1
P14	Bron gewenste oplaadgraad	A1	1 2 3
P15	Bron vrijgave laag tarief	A1	0 1
P17	ED-systeem	A1	30 - 80 %
P18	Storingsgedrag	A1	0 1

Wanneer u de waarde van een parameter wijzigen wilt, roept u de overeenkomstige parameter op met de toets "+". Druk op de toets "OK".

Zodra het symbool "Parameter bewerkbaar" verschijnt, kunt u de waarde van de parameter wijzigen met de toetsen "+" en "-". Druk op de toets "OK" om de ingestelde waarde op te slaan.

Wanneer u op toets "Menu" drukt of langer dan 10 minuten geen bediening uitvoert, gaat het toestel automatisch naar de standaardweergave. De parameterblokkering is weer geactiveerd.

P6: SL-stuursignaal

Opties	Beschrijving
0	SL-ingang gedeactiveerd (fabrieksinstelling): de besturing van de ventilator gebeurt via de in het toestel geïntegreerde kamerthermostaat.
1	SL-ingang geactiveerd: de besturing van de ventilator gebeurt via een aan de wand gemonteerde 2-punts kamerthermostaat.

P7: Type ventilatorbesturing

Opties	Beschrijving
0	2-punts thermostaat: de ventilator wordt door de in het toestel geïntegreerde kamerthermostaat afhankelijk van de warmtebehoefte in- en uitgeschakeld.
1	Proportionele regelaar (fabrieksinstelling): het toerental van de ventilatormotoren wordt door de in het toestel geïntegreerde kamerthermostaat traploos aangepast aan de warmtebehoefte.

P8: Uitschakeltemperatuur verlagen

Via parameter P8 kunnen in combinatie met het aanpasbare aansluitvermogen vier verschillende oplaadtrappen voor de elektronische oplaadregelaar gekozen worden (100 %, 90 %, 80 % of 70 %). De instelling af fabriek is 100 % (geen verlaging).

Als er een andere instelling gekozen wordt, ontstaat een gereduceerde oplaadgraad (de uitschakeltemperatuur van de elektronische oplaadregelaar wordt verlaagd). Zie hoofdstuk "Technische gegevens/aansluitvermogen verlagen met inachtneming van de nominale oplaadduur van 8 uur".

P12: bijverwarming (toebehoren)

Opties	Beschrijving
0	Wanneer in het toestel geen bijverwarming geïnstalleerd is (fabrieksinstelling).
1	De in het toestel geïnstalleerde bijverwarming wordt geactiveerd.

P14: Bron gewenste oplaadgraad

Opties	Beschrijving
1	Bij toestellen zonder weersafhankelijke oplaadsturing. De oplaadhoeveelheid wordt via de afzwakking van de oplaadgraad ingesteld.
2	De oplaadstuurkabel is aangesloten op een AC-stuursignaal (fabrieksinstelling).
3	De oplaadstuurkabel is aangesloten op een DC-stuursignaal.

P15: Bron vrijgave laag tarief

Opties	Beschrijving
0	Permanente vrijgave (fabrieksinstelling): de verwarmingselementen in het toestel worden ingeschakeld, wanneer de verwarmingsbeveiliging en de elektronische oplaadregelaar de oplading vrijgeven.
1	Hardware signaal LF: De verwarmingselementen in het toestel worden pas ingeschakeld, wanneer het energiebedrijf LF heeft vrijgegeven en de elektronische oplaadregelaar het opladen vrijgeeft.

P17: ED-systeem

de oplaadstuurkabel moet op een AC-stuursignaal (wisselspanningssignaal aan klemmen A1 en A2) aangesloten zijn.

De elektronische oplaadregelaar van het toestel kan op oplaadsturingen van de ED-systemen 80 %, 72 %, 68 %, 40 % en 37 % gebruikt worden. De instelling af fabriek is voor 80 % ED-systemen voorzien.

Wanneer het toestel op andere ED-systemen gebruikt wordt, dan moet deze parameter op het betreffende percentage ingesteld worden.

P18: Storingsgedrag

Opties	Beschrijving
0	De oplaadregelaar in het toestel is ingesteld op "negatief storingsgedrag" (geen oplading van de warmteaccumulator bij een defecte oplaadsturing). Deze instelling kan alleen bij bedrijf aan digitale oplaadsturingen gebruikt worden. Bij AC-oplaadsturingen is bovendien een 80 % ED-signaal vereist.
1	De oplaadregelaar in het toestel is ingesteld op "positief storingsgedrag" (fabrieksinstelling). Als de oplaadsturing dus defect is (bijv. wegvallen van het stuursignaal), wordt het toestel volledig opgeladen.

14. Ingebruikname

14.1 Controle voor de opstart

U kunt voor de ingebruikname een werkingstest uitvoeren. Roep daarvoor de ingebruiknamemodus in het configuratiemenu op.

- ▶ Om naar het configuratiemenu te gaan, houdt u de toets "Menu" ca. 3 seconden ingedrukt.

Eerst moet u toegangsniveau A1 vrijschakelen, dat voorbehouden is aan de installateur.

- ▶ Roep met de toets "+" of "-" de menuoptie "CodE" op.
- ▶ Druk op de toets "OK".
De code-invoer wordt weergegeven. Het eerste cijfer knippert.
- ▶ Voer met de toets "+" of "-" code 1000 in. Druk na elk ingevoerd cijfer op de toets "OK".
- ▶ Roep met de toets "+" de actuele waarde I4 op nadat u de correcte code ingevoerd hebt.
- ▶ Om naar de ingebruiknamemodus te gaan, houdt u de toetsen "Menu" en "+" tegelijkertijd ca. 3 seconden ingedrukt.

Een eerste oplading vindt plaats in de ingebruiknamemodus. De oplaadhoeveelheid komt overeen met de instelling op de afzwakking van de oplaadgraad. Op het display wordt de voortgang van de oplading in procent weergegeven.



Info

- Wanneer de afzwakking van de oplaadgraad op 0 % ingesteld is, wordt er niet opgeladen.
- Na het bereiken van de oplaadhoeveelheid verlaat het toestel de ingebruiknamemodus automatisch.

- ▶ Controleer de werking van de ventilator door de ventilatorvrijgave in te schakelen met de toets "Ventilator".



Info

De ventilator draait alleen bij oplading.

- ▶ Om de ingebruiknamemodus te verlaten, houdt u de toetsen "Menu" en "-" tegelijkertijd ca. 3 seconden ingedrukt.

14.2 Eerste ingebruikname

U kunt het toestel direct in gebruik nemen nadat de montage uitgevoerd werd.

- ▶ Stel de oplading in via de afzwakking van de oplaadgraad of de oplaadsturing.

14.2.1 Opladen

Bij de eerste oplading is het mogelijk dat er iets gaat ruiken.

- ▶ Zorg voor voldoende ventilatie van de ruimte. Door een venster te kantelen kunt u bijvoorbeeld een 1,5-voudige luchtverversing realiseren.

Wanneer u het toestel in de slaapkamer opstelt, is het niet toegestaan tijdens het slapen voor het eerst op te laden.

15. Het toestel ombouwen

Bij ombouw, aanbouw of inbouw dient u de handleiding in acht te nemen die bij de bouwset werd geleverd.

16. Overdracht

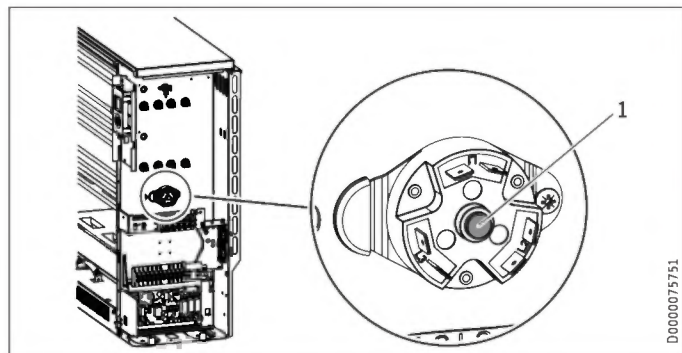
Leg aan de gebruiker uit hoe het toestel werkt. Schenk daarbij vooral aandacht aan de veiligheidsaanwijzingen. Geef deze bedienings- en installatiehandleiding aan de gebruiker.

17. Storingen verhelpen

17.1 Storingstabel

Storing	Oorzaak	Oplossing
Het toestel wordt niet warm.	De aansturing van de beveiliging van het verwarmingselement is niet in orde.	Controleer de aansturing van de beveiliging van het verwarmingselement.
	Geen netspanning in de warmteaccumulator.	Controleer de zekering in hoofdverdeling.
	Geen netspanning op de oplaadregelaar.	Controleer de stroomvoorziening. Zie hoofdstuk "Elektrische aansluiting" en/of "Technische gegevens".
	De veiligheidstemperatuurbegrenzer (F1) is geactiveerd.	Schakel de temperatuurbegrenzer opnieuw vrij (zie hoofdstuk "Veiligheidstemperatuurbegrenzer vrijschakelen").
Het toestel wordt bij milde buitentemperaturen te veel opgeladen (terwijl een oplaadsturing wordt gebruikt).	De oplaadsturing is verkeerd ingesteld.	Controleer de instellingen van de oplaadsturing.
	De oplaadregelaar werkt niet goed.	Controleer de instellingen van parameters P14, P15, P17 en P18 in het configuratiemenu (zie hoofdstuk "Installatie/instellingen").
	De overdracht van het stuursignaal is onderbroken.	Controleer of het stuursignaal van de oplaadsturing in de warmteaccumulator beschikbaar is.
	De stooklijn is verkeerd ingesteld.	Controleer de instellingen van de oplaadsturing
Het toestel wordt bij milde buitentemperaturen te veel opgeladen (wanneer het opladen handmatig is ingesteld).	De buitentemperatuursensor is defect.	Meet de buitentemperatuursensor door en vervang deze eventueel.
	De oplaadregelaar verstuurt een verkeerd stuursignaal.	Controleer de instellingen van parameters P17 en P18 in het configuratiemenu (zie hoofdstuk "Installatie/instellingen").
	Instellingen van de afzwakking van de oplaadgraad op de warmteaccumulator.	Controleer de instelling van de afzwakking van de oplaadgraad.
Het toestel wordt niet ontladen.	De ventilatoren draaien niet.	Controleer de instellingen van parameter P6 in het configuratiemenu (zie hoofdstuk "Installatie/instellingen"). ... of de ventilatorvrijgave is ingeschakeld. ... of de ventilatorspanning in de warmteaccumulator aanwezig is.
	De pluizenzeef in de luchttoevoer is verstopt.	Reinig de pluizenzeef. Zie het hoofdstuk "Reiniging, verzorging en onderhoud". Controleer of de luchttoevoer gehinderd wordt, bijvoorbeeld door een hoogpolig tapijt. Controleer of de veiligheidsthermostaat (N5) in de luchtafvoer is geactiveerd.
Op het display verschijnt de foutcode "E1".	De kamertemperatuursensor is defect.	Meet de kamertemperatuursensor door en vervang deze eventueel.
Op het display verschijnt de foutcode "E2".	De kerntemperatuursensor is defect.	Meet de kerntemperatuursensor door en vervang deze eventueel.
Op het display verschijnt de foutcode "E3".	De polen van het DC-stuursignaal zijn verwisseld.	Controleer de aansluiting van het DC-stuursignaal.

17.1.1 Veiligheidstemperatuurbegrenzer (F1) vrijschakelen








1 Resetknop veiligheidstemperatuurbegrenzer

De veiligheidstemperatuurbegrenzer kan na het verhelpen van de oorzaak van de storing door het indrukken van de resetknop weer vrijgeschakeld worden.

17.2 Symbolen op het typeplaatje



Symbolen op het typeplaatje (voorbeeld SHF 7000)

-  Totaalgewicht
-  Opladen
-  Ontlading
-  Bijverwarming
-  Ventilator

18. Onderhoud en reiniging

Het ventilatorkanaal achter het luchtafvoerrooster moet om de twee jaar worden gecontroleerd. In het kanaal zet zich gemakkelijk vuil af.



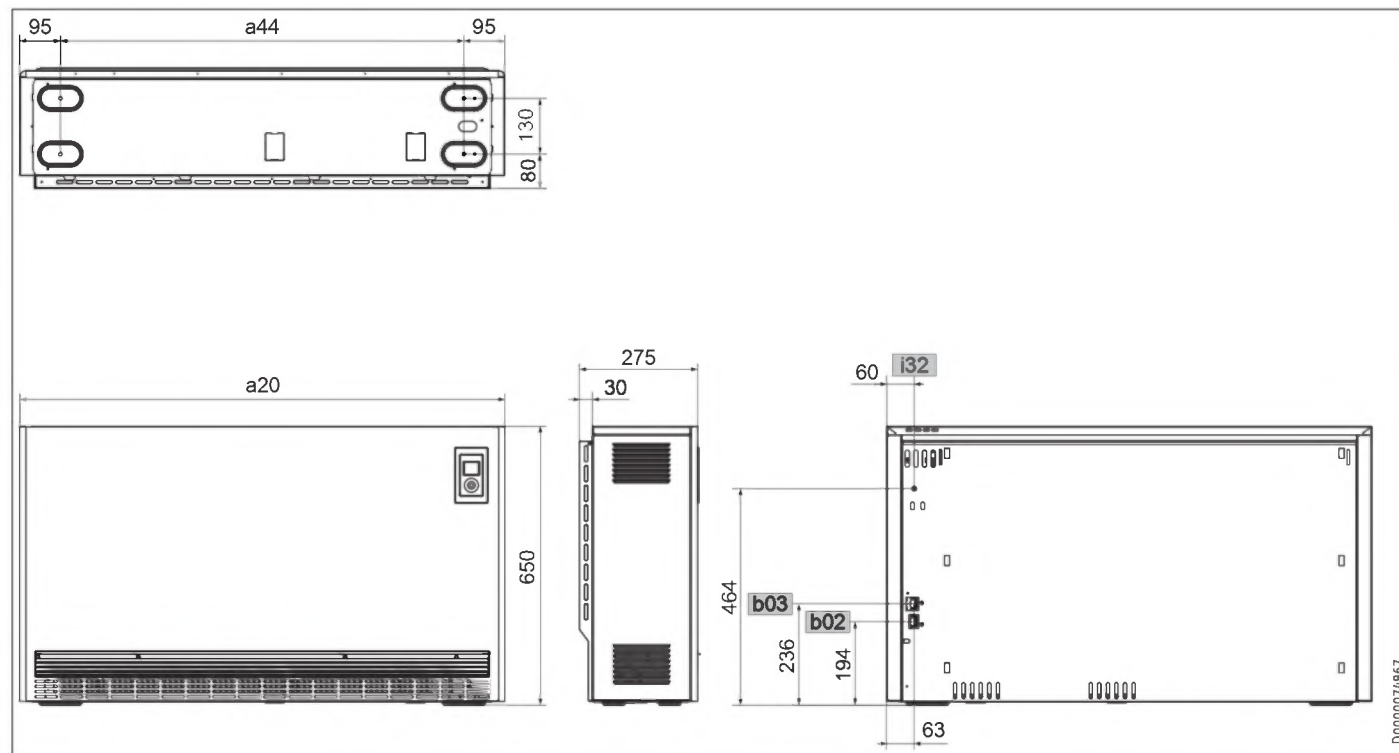
Info

Het is aan te bevelen tijdens regelmatige onderhoudsbeurten ook de controle- en regelinrichtingen te laten controleren.

- ▶ Laat de veiligheids-, controle- en regelinrichtingen, alsmede het volledige op- en ontladstuursysteem uiterlijk 10 jaar na de eerste ingebruikname controleren door een installateur.

19. Technische gegevens

19.1 Afmetingen en aansluitingen



D0000074967

NEDERLANDS

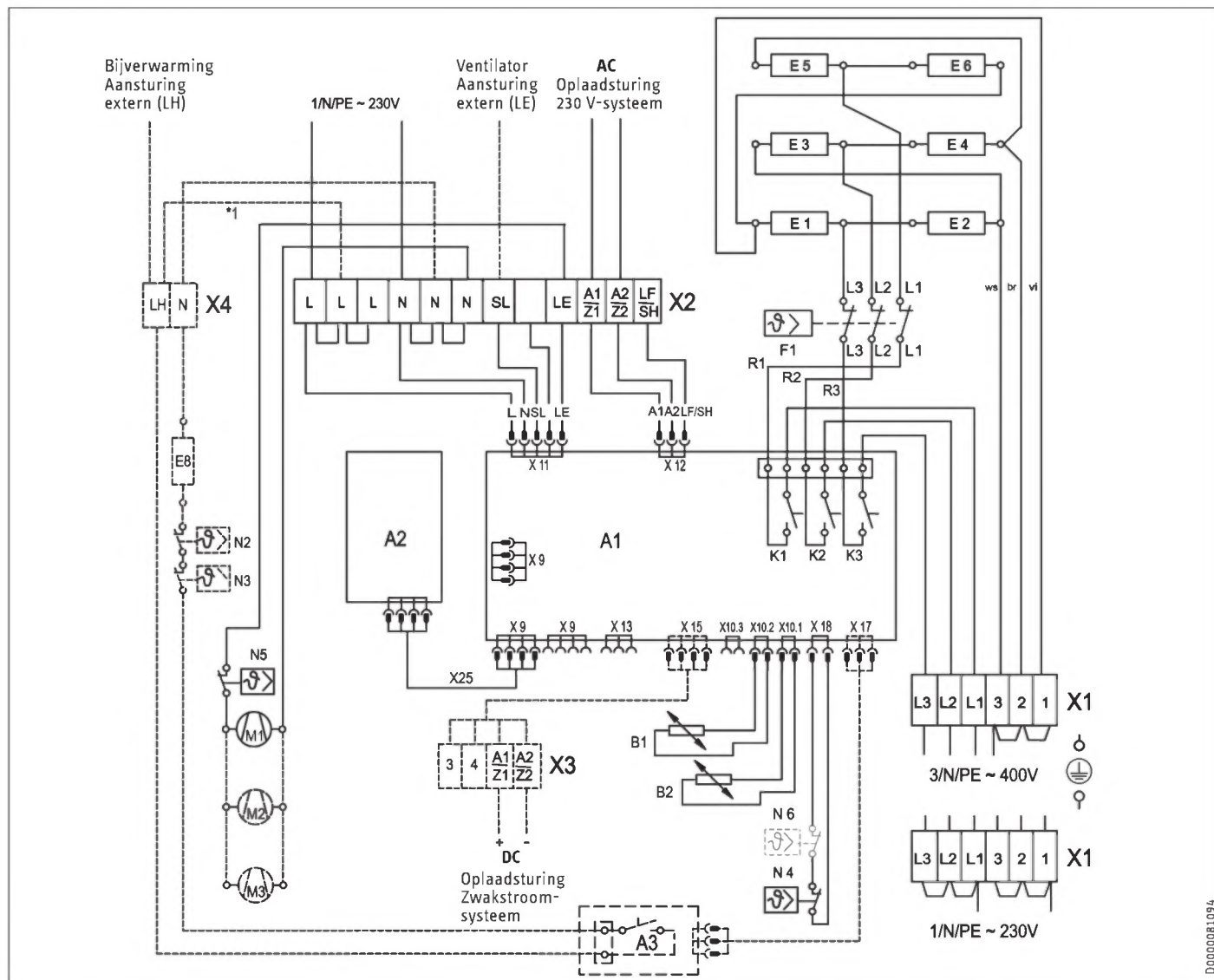
			SHF 2000	SHF 3000	SHF 4000	SHF 5000	SHF 6000	SHF 7000	
a20	Toestel	Breedte	mm	605	780	955	1130	1305	1480
a44	Toestel	Afstand stelvoeten	mm	415	590	765	940	1115	1290
b02	Doorvoer elektr. kabels I								
b03	Doorvoer elektr. kabels II								
i32	Bevestiging								

INSTALLATIE

Technische gegevens

19.2 Schakelschema

! **Materiële schade**
 Zorg ervoor dat tussen alle aansluitingen van de netspanningszijde L, L1 en de verschillende stuursignalen SL, A1, A2, LF, SH, LE en LH een potentiaalverschil van max. 230 V aangehouden wordt.



Accumulorgedeelte

- A1 Elektronische op-/ontlaadregelaar
- A2 Elektronica bedieningspaneel
- B1 Kernsensor - oplading
- B2 Kamertemperatuursensor - ontlading
- F1 Veiligheidstemperatuurbegrenzer
- E1 - E6 Verwarmingselement
- M1 - M3 Ventilator warmteaccumulator
- N4 Temperatuurbegrenzer oplading
- N5 Bescherm-temperatuurregelaar
- N6 Temperatuurbegrenzer - oplaadgraad alleen voor 6 - 7 kW
- X25 Verbindingskabel intern A1 - A2
- X1 Netaansluitklem
- X2 Aansluitklem

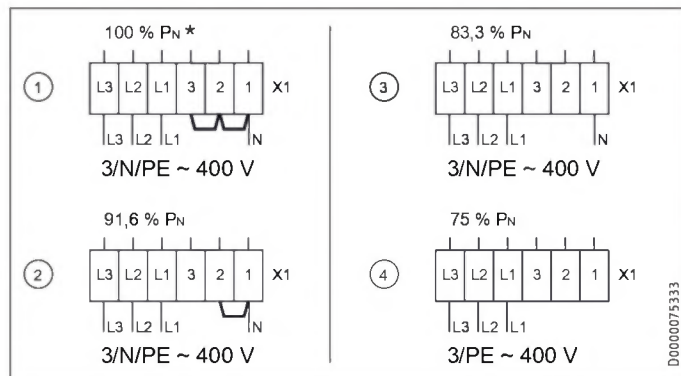
Toebehoren

(Maakt geen deel uit van de leveringsomvang. Kruis telkens in de vakjes het betreffende ingebouwd toebehoren aan.)

- DC-aansluiting**
- X3 Aansluitklem (0,91 - 1,43 V)
- Bijverwarming** (aansturing intern)
*1/draad LH - L
- Bijverwarming** (aansturing extern)
- A3 Relaismodule bijverwarming
- E8 Bijkomend verwarmingselement
- N2 Temperatuurregelaar - bijverwarming
- N3 Temperatuurregelaar - bijverwarming
- X4 Aansluitklem

19.3 Aansluitvermogen reduceren

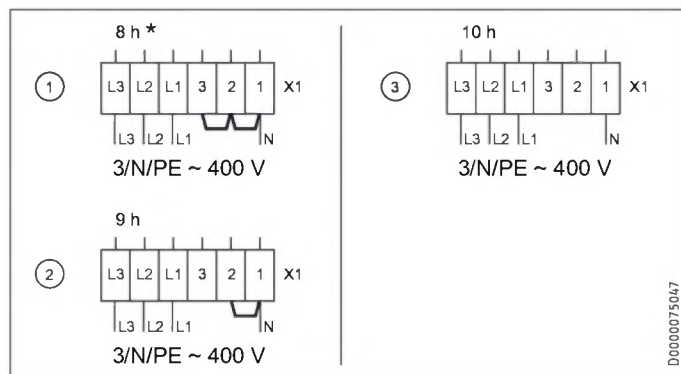
Aansluitvarianten (8 uur-verwarmingselement)					
		①	②	③	④
		100 %	91,6 %	83,3 %	75 %
Typen					
SHF 2000	kW	2,00	1,83	1,67	1,50
SHF 3000	kW	3,00	2,75	2,50	2,25
SHF 4000	kW	4,00	3,66	3,33	3,00
SHF 5000	kW	5,00	4,58	4,16	3,75
SHF 6000	kW	6,00	5,50	5,00	4,50
SHF 7000	kW	7,00	6,42	5,83	5,25



* Seriebedrading

19.4 Vermogensaanpassing (nominale oplaadduur)

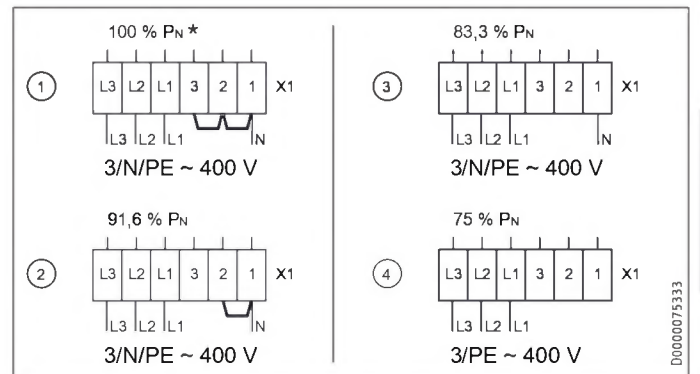
Uitvoering verwarmingselement (8 uur-verwarmingselement)				
Nominale oplaadduur		8 uur	9 uur	10 uur
Aansluitvarianten		①	②	③
Typen				
SHF 2000	kW	2,00	1,83	1,67
SHF 3000	kW	3,00	2,75	2,50
SHF 4000	kW	4,00	3,66	3,33
SHF 5000	kW	5,00	4,58	4,16
SHF 6000	kW	6,00	5,50	5,00
SHF 7000	kW	7,00	6,42	5,83



* Seriebedrading

19.5 Aansluitvermogen verlagen met inachtneming van de nominale oplaadduur van 8 uur

Aansluitvermogens (8 uur-verwarmingselement)				
Aansluitvarianten	①	②	③	④
Aansluitvermogens	100 %	91,6 %	83,3 %	75 %
Via parameter P8 selecteerbare oplaadtrappen	100 %	90 %	80 %	70 %



* Seriebedrading

INSTALLATIE

Technische gegevens

19.6 Gegevens over het energieverbruik

De productgegevens voldoen aan de EU-verordeningen betreffende de richtlijn voor milieuvriendelijke vormgeving van energiegeïntegreerde producten (ErP).

Productinformatie bij elektrische toestellen voor lokale ruimteverwarming (EU) 2015/1188

		SHF 2000	SHF 3000	SHF 4000	SHF 5000	SHF 6000	SHF 7000
		200175	200176	200177	200178	200179	200180
Fabrikant		STIEBEL ELTRON	STIEBEL ELTRON	STIEBEL ELTRON	STIEBEL ELTRON	STIEBEL ELTRON	STIEBEL ELTRON
Warmtevermogen							
Nominaal warmtevermogen P_{nom}	kW	1,0	1,5	2,0	2,5	3,0	3,5
Minimaal warmtevermogen (richtwaarde) P_{min}	kW	0,0	0,0	0,0	0,0	0,0	0,0
Maximaal continu warmtevermogen $P_{max,c}$	kW	1,3	2,3	3,0	3,5	4,3	4,9
Hulpstroomverbruik							
Bij nominaal warmtevermogen $e_{l,max}$	kW	0,000	0,000	0,000	0,000	0,000	0,000
Bij minimaal warmtevermogen $e_{l,min}$	kW	0,000	0,000	0,000	0,000	0,000	0,000
In stand-bystand $e_{l,SB}$	kW	0,000	0,000	0,000	0,000	0,000	0,000
Soort regeling van de warmtetoevoer							
Handmatige regeling van de warmtetoevoer met geïntegreerde thermostaat		-	-	-	-	-	-
Handmatige regeling van de warmtetoevoer met retourmelding van de kamer- en/of buitentemperatuur		-	-	-	-	-	-
Elektronische regeling van de warmtetoevoer met retourmelding van de kamer- en/of buitentemperatuur		x	x	x	x	x	x
Warmteafgifte met ventilatorondersteuning		x	x	x	x	x	x
Soort warmtevermogen/kamertemperatuurcontrole							
Eentraps-warmtevermogen, geen kamertemperatuurcontrole		-	-	-	-	-	-
Twee of meer handmatig instelbare trappen, geen kamertemperatuurcontrole		-	-	-	-	-	-
Kamertemperatuurcontrole met mechanische thermostaat		-	-	-	-	-	-
Met elektronische kamertemperatuurcontrole		-	-	-	-	-	-
Elektronische kamertemperatuurcontrole en dagtijdbegrenzing		-	-	-	-	-	-
Elektronische kamertemperatuurcontrole en weekdagregeling		x	x	x	x	x	x
Andere regeloptyes							
Kamertemperatuurcontrole met aanwezigheidsherkenning		-	-	-	-	-	-
Kamertemperatuurcontrole met herkenning van open vensters		x	x	x	x	x	x
Met afstandsbedieningsoptie		-	-	-	-	-	-
Met adaptieve regeling van het verwarmingsbegin		x	x	x	x	x	x
Met werkingstijdbegrenzing		-	-	-	-	-	-
Met zwarte-kogelsensor		-	-	-	-	-	-

19.7 Gegevenstabel

		SHF 2000	SHF 3000	SHF 4000	SHF 5000	SHF 6000	SHF 7000
		200175	200176	200177	200178	200179	200180
Elektrische gegevens							
Aansluitvermogen	W	2000	3000	4000	5000	6000	7000
Nominale spanning	V	~400	~400	~400	~400	~400	~400
Fasen		3/N/PE	3/N/PE	3/N/PE	3/N/PE	3/N/PE	3/N/PE
Frequentie	Hz	50/-	50/-	50/-	50/-	50/-	50/-
Nominale oplading	kWh	16	24	32	40	48	56
Elektrische bijverwarming	kW	0,35	0,5	0,8	1,0	1,2	1,5
Energiegegevens							
Jaarrendement elektrische verwarming η_s	%	39,5	39,5	39,5	39,5	39,5	39,5
Afmetingen							
Hoogte	mm	650	650	650	650	650	650
Breedte	mm	605	780	955	1130	1305	1480
Diepte	mm	275	275	275	275	275	275
Gewichten							
Gewicht	Kg	32	40	48	56	64	72
Gewicht (met stenen)	Kg	118	169	220	271	322	373
Uitvoeringen							
Kleur		alpinewit	alpinewit	alpinewit	alpinewit	alpinewit	alpinewit
Waarden							
Ladingsgraadreductie, 4-traps		100/90/80/70	100/90/80/70	100/90/80/70	100/90/80/70	100/90/80/70	100/90/80/70
Warmtebehoudend vermogen	%	48	53	55	56	58	59
Werkingsgeluid	dB(A)	30	32	33	34	34	34
Commerciële attributen							
Aantal steenpakketten		6	9	12	15	18	21

Garantie

Voor toestellen die buiten Duitsland zijn gekocht, gelden de garantievoorwaarden van onze Duitse ondernemingen niet. Bovendien kan in landen waar één van onze dochtermaatschappijen verantwoordelijk is voor de verkoop van onze producten, alleen garantie worden verleend door deze dochtermaatschappij. Een dergelijk garantie wordt alleen verstrekt, wanneer de dochtermaatschappij eigen garantievoorwaarden heeft gepubliceerd. In andere situaties wordt er geen garantie verleend.

Voor toestellen die in landen worden gekocht waar wij geen dochtermaatschappijen hebben die onze producten verkopen, verlenen wij geen garantie. Een eventueel door de importeur verzekerde garantie blijft onverminderd van kracht.

Milieu en recycling

Wij verzoeken u ons te helpen ons milieu te beschermen. Doe de materialen na het gebruik weg overeenkomstig de nationale voorschriften.

ZVLÁŠTNÍ POKYNY

OBSLUHA

1. Obecné pokyny	77
1.1 Bezpečnostní pokyny	77
1.2 Jiné symboly použité v této dokumentaci	78
1.3 Upozornění na přístroji	78
1.4 Měrné jednotky	78
2. Zabezpečení	78
2.1 Správné používání	78
2.2 Všeobecné bezpečnostní pokyny	78
2.3 Kontrolní symbol	79
3. Popis přístroje	79
4. Obsluha	79
4.1 Ovládací jednotka	79
4.2 Ukládání tepla	80
4.3 Uvolňování tepla	80
5. Nastavení	81
5.1 Standardní zobrazení	81
5.2 Základní nabídka	81
5.3 Konfigurační nabídka	81
6. Nastavení při stávajícím prostorovém termostatu montovaném na stěnu	83
6.1 Standardní zobrazení	83
6.2 Základní nabídka	83
6.3 Konfigurační nabídka	83
7. Čištění, péče a údržba	84
7.1 Čištění sítka proti prachu	84
8. Odstranění problémů	84

INSTALACE

9. Zabezpečení	85
9.1 Všeobecné bezpečnostní pokyny	85
9.2 Předpisy, normy a ustanovení	85
10. Popis přístroje	85
10.1 Princip činnosti	85
10.2 Rozsah dodávky	86
10.3 Příslušenství	86
11. Příprava	86
11.1 Místo montáže	86
11.2 Minimální vzdálenosti	86
12. Montáž	86
12.1 Otevření přístroje	86
12.2 Nastavte regulaci nabíjení	87
12.3 Síťová přípojka / přívodní vedení	87
12.4 Připojení elektrického napětí	88
12.5 Možnosti montáže	88
12.6 Vložení akumulární vyzdívký	88
12.7 Předání přístroje	89
12.8 Uzavření přístroje	89
13. Nastavení	90
13.1 Konfigurační nabídka	90
14. Uvedení do provozu	92
14.1 Kontrola před uvedením do provozu	92
14.2 První uvedení do provozu	92

15. Přestavba přístroje	92
16. Předání přístroje	92
17. Odstraňování poruch	93
17.1 Tabulka poruch	93
17.2 Symboly na typovém štítku	94
18. Čištění a údržba	94
19. Technické údaje	95
19.1 Rozměry a přípojky	95
19.2 Schéma elektrického zapojení	96
19.3 Snížení příkonu	97
19.4 Úprava výkonu (jmenovitá doba nabíjení)	97
19.5 Snížení příkonu při zachování jmenovité doby nabíjení 8 hodin	97
19.6 Údaje ke spotřebě energie	98
19.7 Tabulka údajů	99

ZÁRUKA

ŽIVOTNÍ PROSTŘEDÍ A RECYKLACE

ZVLÁŠTNÍ POKYNY

- Tento návod k obsluze a instalaci pečlivě uschovejte, aby byl v případě potřeby k dispozici.
- Děti do 3 let udržujte v dostatečné vzdálenosti od přístroje, pokud není zajištěn stálý dohled.
- Děti ve věku 3 až 7 let smějí přístroj zapínat a vypínat, jsou-li pod dohledem nebo byly poučeny o bezpečném použití přístroje a pochopily z něho vyplývající rizika. Předpokladem k tomu je, aby montáž přístroje byla provedena podle popisu. Děti ve věku 3–7 let nesmějí přístroj nastavovat.
- Přístroj smí používat děti od 8 let a osoby se sníženými fyzickými, sensorickými nebo mentálními schopnostmi nebo s nedostatkem zkušeností a znalostí pouze pod dozorem nebo po poučení o bezpečném používání přístroje, a poté, co porozuměly nebezpečí, které z jeho používání plyne.
- Nenechávejte děti, aby si s přístrojem hrály. Čištění a uživatelskou údržbu nesmějí provádět děti bez dozoru.
- Části přístroje mohou být velmi horké a způsobit popáleniny. Jsou-li přítomny děti a osoby vyžadující ochranu, je nutná zvláštní opatrnost.
- Při prvním nabíjení se může tvořit zápach. Zajistěte dostatečné větrání prostoru.
- Dodržujte minimální vzdálenosti od přilehlých předmětů nebo jiných hořlavých materiálů (viz kapitola „Instalace/Minimální vzdálenosti“).
- Aby se zabránilo přehřátí přístroje, nezakrývejte jej.
- Nepokládejte na přístroj ani v jeho bezprostřední blízkosti žádné předměty. O přístroj neopírejte žádné předměty.
- Neinstalujte přístroj přímo pod zásuvku.
- Dodržujte hodnoty jmenovitého dohřívání v kapitole „Technické údaje/Tabulka údajů“.

- Instalujte přístroj tak, aby se osoba ve sprše nebo ve vaně nemohla dostat do kontaktu se spínači a regulátory.
- Přípojka k elektrické síti smí být provedena pouze jako pevná přípojka. Přístroj musí být možné odpojit od síťové přípojky na všech pólech na vzdálenost nejméně 3 mm.
- Upevněte přístroj způsobem popsaným v kapitole „Instalace / Montáž“.

OBSLUHA

1. Obecné pokyny

Kapitoly „Zvláštní pokyny“ a „Obsluha“ jsou určeny uživatelům přístroje a instalačním technikům.

Kapitola „Instalace“ je určena instalačním technikům.



Upozornění

Dříve, než zahájíte provoz, si pozorně přečtete tento návod a pečlivě jej uschovejte. Případně předejte návod dalšímu uživateli.

1.1 Bezpečnostní pokyny

1.1.1 Struktura bezpečnostních pokynů



UVOZUJÍCÍ SLOVO - Druh nebezpečí

Zde jsou uvedeny možné následky nedodržení bezpečnostních pokynů.

► Zde jsou uvedena opatření k odvrácení nebezpečí.

1.1.2 Symboly, druh nebezpečí

Symbol	Druh nebezpečí
	Úraz
	Úraz elektrickým proudem
	Popálení (popálení, opaření)

1.1.3 Uvozující slova

UVOZUJÍCÍ SLOVO	Význam
NEBEZPEČÍ	Pokyny, jejichž nedodržení má za následek vážné nebo smrtelné úrazy.
VÝSTRAHA	Pokyny, jejichž nedodržení může mít za následek vážné nebo smrtelné úrazy.
POZOR	Pokyny, jejichž nedodržení může mít za následek středně vážné nebo lehké úrazy.

1.2 Jiné symboly použité v této dokumentaci



Upozornění

Obecné pokyny jsou označeny symbolem zobrazeným vedle.

- ▶ Texty upozornění čtěte pečlivě.

Symbol	Význam
	Věcné škody (poškození přístroje, následné škody, poškození životního prostředí)
	Likvidace přístroje

- ▶ Tento symbol vás vyzývá k určitému jednání. Potřebné úkony jsou popsány po jednotlivých krocích.

1.3 Upozornění na přístroji

Symbol	Význam
	Nezakrývejte přístroj

1.4 Měrné jednotky



Upozornění

Pokud není uvedeno jinak, jsou všechny rozměry uvedeny v milimetrech.

2. Zabezpečení

2.1 Správné používání

Přístroj je určen k vytápění obytných místností.

Přístroj je určen k použití v domácnostech. Mohou jej tedy bezpečně obsluhovat neškolené osoby. Lze jej používat i mimo domácnosti, např. v drobném průmyslu, pokud je provozován stejným způsobem jako v domácnostech.

Jiné použití nebo použití nad rámec daného rozsahu je považováno za použití v rozporu s určením. K použití v souladu s určením patří také dodržování tohoto návodu a návodů k používanému příslušenství.

2.2 Všeobecné bezpečnostní pokyny

Dodržujte následující bezpečnostní pokyny a předpisy.

- Elektrickou instalaci a instalaci přístroje smí provést pouze autorizovaný servis nebo naši technici zákaznického servisu v souladu s tímto návodem.
- Instalační firma nese při instalaci a při prvním uvedení do provozu odpovědnost za dodržení platných předpisů.
- Používejte přístroj pouze v plně instalovaném stavu a se všemi bezpečnostními zařízeními.



VÝSTRAHA úraz

- Děti do 3 let udržujte v dostatečné vzdálenosti od přístroje, pokud není zajištěn stálý dohled.
- Děti ve věku 3 až 7 let smějí přístroj zapínat a vypínat, jsou-li pod dohledem nebo byly poučeny o bezpečném použití přístroje a pochopily z něho vyplývající rizika. Předpokladem k tomu je, aby montáž přístroje byla provedena podle popisu. Děti ve věku 3–7 let nesmějí přístroj nastavovat.
- Přístroj smí používat děti od 8 let a osoby se sníženými fyzickými, sensorickými nebo mentálními schopnostmi nebo s nedostatkem zkušeností a znalostí pouze pod dozorem nebo po poučení o bezpečném používání přístroje, a poté, co porozuměly nebezpečí, které z jeho používání plyne.
- Nenechávejte děti, aby si s přístrojem hrály. Čištění a uživatelskou údržbu nesmějí provádět děti bez dozoru.



VÝSTRAHA popálení

Nepoužívejte přístroj...

- pokud nejsou dosaženy minimální vzdálenosti od ploch přilehlých předmětů nebo jiných hořlavých materiálů.
- Nebezpečí požáru nebo exploze v místnostech s chemikáliemi, prachem, plyny nebo výpary. Před zahájením provozu prostor dostatečně odvětrejte.
- v bezprostřední blízkosti potrubí nebo nádob, které obsahují nebo rozvádějí hořlavé nebo výbušné látky.
- pokud se v místě instalace provádějí práce, jako například pokládka, broušení, nátěry.
- pokud je některá část přístroje poškozena nebo pokud je přístroj vadný.



VÝSTRAHA popálení

- Na přístroj ani do jeho bezprostřední blízkosti nepokládejte žádné hořlavé, vznětlivé nebo tepelně izolační materiály nebo předměty. O přístroj neopírejte žádné předměty. To může způsobit akumulaci tepla, vedoucí k nadměrné teplotě povrchu tělesa přístroje a předmětů.
- Dbejte na to, aby nebyl blokován vstup a výstup vzduchu.
- Mezi přístroj a stěnu nezasouvejte žádné předměty.



POZOR, nebezpečí popálení
Povrchy těla přístroje a unikající vzduch mohou být během provozu velmi horké (nad 80 °C) a způsobit popáleniny. Jsou -li přítomny děti a osoby vyžadující ochranu, je nutná zvláštní opatrnost.



VÝSTRAHA – přehřátí
Aby se zabránilo přehřátí přístroje, nezakrývejte jej.

2.3 Kontrolní symbol

Viz typový štítek na přístroji. Typový štítek je umístěn na levé postranní stěně přístroje.

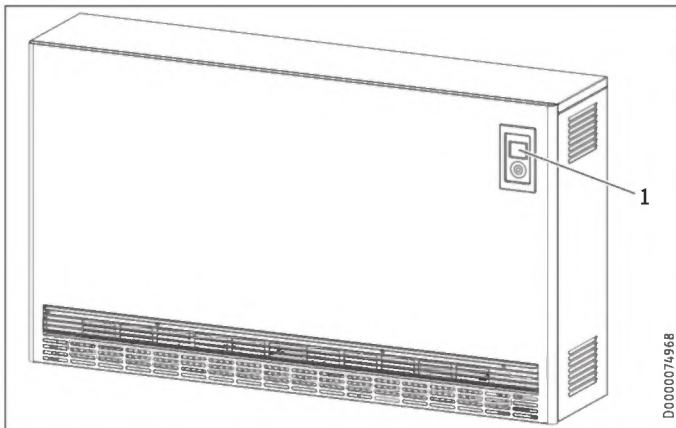
3. Popis přístroje

Tento přístroj zajišťuje ukládání elektricky vyrobeného tepla. Teplo je vyráběno z elektrické energie během doby s nízkým tarifem.

Doba s nízkým tarifem se liší podle jednotlivých výrobců elektrické energie. Doba s nízkým tarifem připadá převážně na noční hodiny.

Uložené teplo se uvolňuje do prostoru podle požadované prostorové teploty jako teplý vzduch pomocí ventilátoru a z malé části přes povrch přístroje.

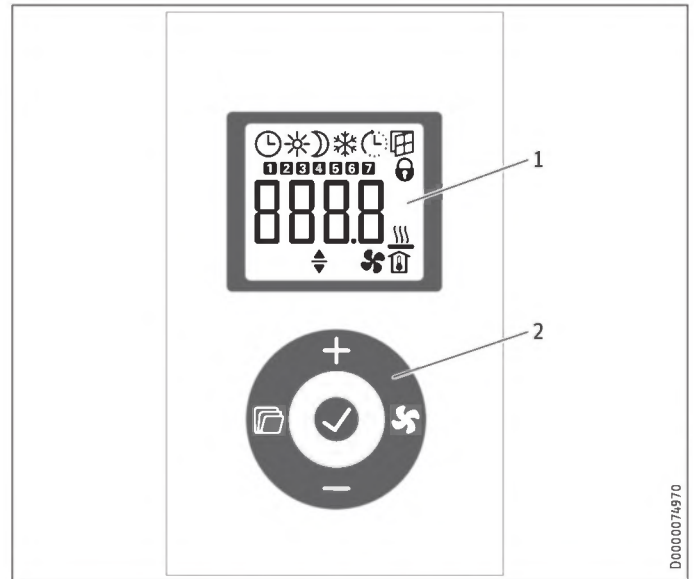
4. Obsluha



1 Ovládací jednotka

4.1 Ovládací jednotka

Ovládání probíhá pomocí ovládací jednotky, která se nachází nahoře vpravo na čelní straně přístroje.



1 Ukazatel
2 Ovládací panel

4.1.1 Ovládací panel

Tlačítko	Název	Popis
	Tlačítko „Ventilátor“	Zapnutí a vypnutí spuštění ventilátoru
	Tlačítko „OK“	Výběr; Potvrzení nastavení
	tlačítko „Nabídka“	Vyvolání a opuštění nabídky
	Tlačítko „+“	Vyvolání položek nabídky; Změna nastavení
	Tlačítko „-“	Vyvolání položek nabídky; Změna nastavení

4.1.2 Ukazatel












Pokud v průběhu 20 sekund neproběhne žádná akce obsluhy, podsvícení displeje se vypne. Stisknutím libovolného tlačítka podsvícení displeje opět zapnete.

Symbols



Upozornění

Pokud je odběr tepla (vybíjení) řízen prostorovým termostatem namontovaným na stěně, nebudou zobrazeny všechny symboly.

Symbol	Popis
	Zobrazení času: Zobrazení aktuálního času nebo naprogramovaného času zahájení Provoz časovače: Přístroj topí podle aktivovaného časového programu.
	Komfortní režim: Přístroj udržuje nastavenou komfortní teplotu. Standardní hodnota: 21,0 °C. Toto nastavení použijte pro komfortní teploty místností v přítomnosti osob.
	Útlumový režim: Přístroj udržuje nastavenou útlumovou teplotu. Standardní hodnota: 18,0 °C. Toto nastavení použijte např. v noci nebo v nepřítomnosti po dobu několika hodin.
	Adaptivní start: V provozu časovače jsou spínací časy topného zařízení přizpůsobeny tak, aby nastavená požadovaná teplota místnosti byla již dosažena k naprogramovanému času zahájení. Předpoklad: Funkce „Adaptivní start“ je zapnutá (viz kapitola „Nastavení / Základní nabídka“).
	Zjištění otevřeného okna: Aby se zamezilo zbytečné spotřebě energie při větrání, přístroj automaticky sníží při otevřeném okně nastavenou požadovanou teplotu v místnosti na 7,0 °C na dobu jedné hodiny. Bliká symbol „Zjištění otevřeného okna“. Detekci otevřeného okna lze ručně ukončit po větrání stisknutím tlačítka „+“ nebo „OK“. Přístroj se znovu zahřeje místnost na nastavenou požadovanou teplotu. Předpoklad: Zjištění otevřeného okna je zapnuté (viz kapitola „Nastavení / Základní nabídka“).
	Zámek ovládání: Chcete-li ovládací panel zamknout nebo odemknout, stiskněte současně tlačítka „+“ a „-“ na 5 sekund.
	Spuštění přídatného topení (příslušenství): Pokud akumulované množství tepla k vytápění místnosti již není dostatečné, topí dodatečně přídatné topení.
	Zobrazení teploty místnosti
	Aktivní spuštění ventilátoru: Když teplota místnosti klesne pod nastavenou požadovanou teplotu v místnosti, zapne se ventilátor a uvolní ohřátý vzduch do místnosti, dokud se nedosáhne nastavené teploty.
	Parametry lze editovat: Zobrazený parametr lze změnit pomocí tlačítek „+“ a „-“.
	Dny v týdnu: 1 = Pondělí, 2 = Úterý ... 7 = Neděle

4.2 Ukládání tepla

Regulací nabíjení se určuje stupeň ukládání tepla (nabíjení).

Nastavení, které musíte na regulaci ohřevu provést, závisí na tom, zda přístroj používáte s centrální regulací nabíjení podle počasí nebo bez ní.

Řídicí systém nabíjení podle počasí se nachází v rozvaděči.

4.2.1 Přístroje s řídicím systémem nabíjení podle počasí

- ▶ Tlačítkem „Nabídka“ vyvolejte základní nabídku a stiskněte tlačítko „OK“.
- ▶ Jakmile se zobrazí symbol „Parametr lze editovat“, nastavte pomocí tlačítek „+“ a „-“ zeslabovač stupně nabití na 100 %.

Upozornění

Pokud je odběr tepla (vybíjení) řízen prostorovým termostatem namontovaným na stěně, nastavte na standardním displeji zeslabovač stupně nabití pomocí tlačítek „+“ a „-“.

Řídicí systém nabíjení podle počasí zajišťuje správné nabití.

Upozornění

Dbejte přitom návodu k řídicímu systému nabíjení nebo skupinové řídicí jednotce.

Chcete-li použít odlišnou regulaci jednotlivých přístrojů, můžete omezovačem stupně nabití provést dodatečnou ruční úpravu množství nabití.

Pokud nastavíte omezovač stupně nabití na 0 %, nebude se nabíjet.

4.2.2 Přístroje bez řídicího systému nabíjení podle počasí

Množství nabíjení se nastavuje pomocí omezovače stupně nabití.

- ▶ Tlačítkem „Nabídka“ vyvolejte základní nabídku a stiskněte tlačítko „OK“.
- ▶ Jakmile se zobrazí symbol „Parametr lze editovat“, nastavte pomocí tlačítek „+“ a „-“ omezovač stupně nabití.

Upozornění

Pokud je odběr tepla (vybíjení) řízen prostorovým termostatem namontovaným na stěně, nastavte na standardním displeji zeslabovač stupně nabití pomocí tlačítek „+“ a „-“.

Přitom platí následující orientační hodnoty:

Hodnota	Množství nabití
0 %	bez nabití (v létě)
30 %	cca 1/3 plného nabití pro přechodná období, jako je jaro nebo podzim
70 %	cca 2/3 plného nabití pro mírné zimní dny
100 %	Plné nabití pro chladné zimní dny

Po nezbytné krátké zkušenosti poznáte, jak najít vždy to správné nastavení.

4.3 Uvolňování tepla

Uvolnění tepla (vybíjení) je řízeno pomocí prostorového termostatu integrovaného v přístroji nebo 2bodového prostorového termostatu namontovaného na stěně (viz kapitola „Příslušenství“).

Prostorový termostat řídí uvolňování tepla automaticky pomocí ventilátoru tak, aby se udržovala nastavená požadovaná teplota v místnosti. Aby ventilátor mohl běžet, musí být zapnuto spuštění ventilátoru.

Upozornění

Po dobu několika dnů nepřítomnosti v topné sezoně je vhodné nastavit redukovanou teplotu místnosti např. 10 °C. Tímto nastavením se vyhnete silnému prochlazení prostoru (ochrana před mrazem).

4.3.1 Zapnutí a vypnutí spuštění ventilátoru

- ▶ K zapnutí a vypnutí spuštění ventilátoru stiskněte tlačítko „Ventilátor“. Při zapnutém spuštění ventilátoru se na displeji zobrazí „Symbol ventilátoru“.

5. Nastavení

5.1 Standardní zobrazení



Standardní zobrazení je ukázáno trvale. Pokud se nacházíte v nabídce a neprovedete po dobu delší než 20 sekund žádnou akci obsluhy, přístroj se automaticky přepne na standardní zobrazení.

Ve standardním zobrazení vidíte aktuální požadovanou teplotu místnosti a symbol „Parametry lze editovat“. Pomocí tlačítek „+“ a „-“ lze požadovanou teplotu místnosti změnit.

Pokud požadovaná teplota místnosti odpovídá jedné z nastavených hodnot pro komfortní nebo útlumovou teplotu, v liště nabídky se zobrazí symbol příslušného provozního režimu (komfortní režim, útlumový režim).

Požadovanou teplotu místnosti je také možné změnit ručně v provozu časovače. Změněná požadovaná teplota místnosti zůstane zachována až do příštího naprogramovaného okamžiku sepnutí.

5.2 Základní nabídka

Abyste se dostali do základní nabídky, musíte krátce stisknout tlačítko „Nabídka“. Nyní máte přístup k následujícím položkám nabídky:

Ukazatel	Popis
	Nastavení omezovače stupně nabití Pro dny, kdy je spotřeba tepla nižší, můžete provést ruční úpravu množství nabití v krocích po 10 %.
	Nastavení dne v týdnu a času
	Nastavení komfortní teploty Komfortní teplota musí být nastavena o nejméně 0,5 °C vyšší než útlumová teplota.
	Nastavení útlumové teploty Útlumová teplota musí být nastavena o nejméně 0,5 °C nižší než komfortní teplota.
	Zapnutí a vypnutí funkce „Zjištění otevřeného okna“
	Výběr nebo deaktivace (off) časového programu (Pro1, Pro2, Pro3)
	Zapnutí a vypnutí funkce „Adaptivní start“

Ukazatel	Popis
	Zapnutí a vypnutí přídavného topení (příslušenství)

Chcete-li změnit nastavení položky nabídky, vyvolejte příslušnou položku nabídky tlačítkem „+“ a „-“. Stiskněte tlačítko „OK“.

Jakmile se zobrazí symbol „Parametry lze editovat“, můžete nastavení položky nabídky změnit pomocí tlačítek „+“ a „-“. K uložení nastavení stiskněte tlačítko „OK“.

K opuštění základní nabídky stiskněte tlačítko „Nabídka“. Zobrazí se standardní zobrazení.

5.3 Konfigurační nabídka

Ukazatel	Popis
I1-I2	Skutečné hodnoty
Pro1-Pro3	Časové programy
P1-P5	Parametry
CodE	Přístup pro autorizovaný servis

V konfigurační nabídce můžete vyvolat skutečné hodnoty, naprogramovat časové programy pro provoz časovače a nastavit parametry.

Chcete-li vstoupit do konfigurační nabídky, podržte stisknuté tlačítko „Nabídka“. Po cca 3 sekundách se zobrazí skutečná hodnota I1.

Tlačítky „+“ a „-“ lze přepínat mezi jednotlivými skutečnými hodnotami, časovými programy a parametry.

K opuštění konfigurační nabídky stiskněte tlačítko „Nabídka“. Zobrazí se standardní zobrazení.

5.3.1 Skutečné hodnoty

Můžete vyvolat následující skutečné hodnoty:

Ukazatel	Popis	Jednotka
I1	Skutečná hodnota teploty místnosti	[°C] [°F]
I2	Relativní doba ohřevu (Počítadlo lze resetovat pomocí parametru P5.)	[h]



Upozornění

Počítadlo relativní doby ohřevu (I2) počítá dobu nabíjení v celých provozních hodinách. Pokud byl přístroj nabíjen celou hodinu, dokonce i v intervalech, počítadlo se zvýší.

5.3.2 Časové programy

K dispozici jsou tři časové programy pro používání přístroje v provozu časovače. Časové programy Pro1 a Pro2 jsou přednastaveny sériově. Časový program Pro3 lze nastavit podle vašich individuálních požadavků.

Ukazatel	Popis
Pro1	Časový program „denně“ - opakování: Pondělí až neděle
Pro2	Časový program „v pracovních dnech“ - opakování: Pondělí až pátek
Pro3	Časový program „uživatelsky definovaný“ - až 14 volně konfigurovatelných komfortních fází



Upozornění

Chcete-li použít provoz časovače, musíte v základní nabídce vybrat požadovaný časový program (viz kapitola „Nastavení / Základní nabídka“).



Upozornění

Při nastavování časových programů zkontrolujte, zda je správně nastaven den v týdnu a čas.



Upozornění

Pro všechny časové programy (Pro1, Pro2, Pro3) platí: Pokud je čas ukončení po 23:59 hod., automaticky se nastaví na další den v týdnu. Komfortní fáze je udržována přes půlnoc a končí následující den v týdnu k nastavenému času ukončení.

Časové programy Pro1 a Pro2

Pomocí časových programů Pro1 a Pro2 lze nastavit čas zahájení a ukončení komfortního režimu. Během tohoto období přístroj topí na nastavenou komfortní teplotu. Mimo tuto pevně stanovenou dobu pracuje přístroj v útlumovém režimu. Výsledkem je fáze komfortu a poklesu, které se opakují denně (Pro1) nebo každý pracovní den (Pro2).

Od výrobce jsou tyto fáze konfigurovány takto:

- 08:00 – 22:00 hod.: Komfortní režim
- 22:00 – 8:00 hod.: Režim spouštění



Upozornění

Když je aktivován časový program Pro2, přístroj pracuje o víkendů výhradně v útlumovém režimu.

Chcete-li upravit časové programy Pro1 a Pro2 podle svých potřeb, postupujte následovně:

- ▶ Stisknutím tlačítek „+“ a „-“ vyvolejte v konfigurační nabídce požadovaný časový program.
- ▶ Stiskněte tlačítko „OK“.
Zobrazí se čas zahájení komfortního režimu.
- ▶ Nastavte požadovaný čas zahájení pomocí tlačítek „+“ a „-“.
- ▶ Stiskněte tlačítko „OK“.
Zobrazí se čas ukončení komfortního režimu.
- ▶ Nastavte požadovaný čas ukončení pomocí tlačítek „+“ a „-“.
- ▶ K uložení stiskněte tlačítko „OK“.

Časový program Pro3

Pomocí časového programu Pro3 můžete definovat až 14 samostatných komfortních fází, které se opakují jednou týdně.

Chcete-li nakonfigurovat komfortní fázi v časovém programu Pro3, postupujte následovně:

- ▶ Stisknutím tlačítek „+“ a „-“ vyvolejte v konfigurační nabídce časový program Pro3.
- ▶ Stiskněte tlačítko „OK“.
Displej zobrazuje „3---“.
- ▶ Stiskněte tlačítko „OK“.
Zobrazí se den v týdnu nebo skupina dnů v týdnu.
- ▶ Nastavte požadovaný den v týdnu nebo požadovanou skupinu dnů v týdnu pomocí tlačítek „+“ a „-“.

- ▶ Stiskněte tlačítko „OK“.
Zobrazí se čas zahájení komfortního režimu.
- ▶ Nastavte požadovaný čas zahájení pomocí tlačítek „+“ a „-“.
- ▶ Stiskněte tlačítko „OK“.
Zobrazí se čas ukončení komfortního režimu.
- ▶ Nastavte požadovaný čas ukončení pomocí tlačítek „+“ a „-“.
- ▶ Stiskněte tlačítko „OK“.
Komfortní fáze „3-01“ je nakonfigurována.
- ▶ Chcete-li konfigurovat další komfortní fázi, zvolte v časovém programu Pro3 pomocí tlačítek „+“ a „-“ zobrazení „3---“.
Postupujte podle popisu výše.



Upozornění

K vynulování nastavených komfortních fází aktivujte parametr P4.

- ▶ Dbejte na to, že aktivací parametru P4 se resetují všechny časové programy (Pro1, Pro2, Pro3) do stavu při dodání.

5.3.3 Parametry

Můžete vyvolat následující parametry:

Ukazatel	Popis	Možnosti
P1	Ofset teploty místnosti	±3 °C ±5 °F
P2	Časový formát	12 h 24 h
P3	Jednotka ukazatele teploty	°C °F
P4	Reset časových programů (provoz časovače).	on off
P5	Reset relativní doby ohřevu	on off

Chcete-li změnit hodnotu parametru, vyvolejte příslušný parametr tlačítky „+“ a „-“. Stiskněte tlačítko „OK“.

Jakmile se zobrazí symbol „Parametry lze editovat“, můžete hodnotu parametru změnit pomocí tlačítek „+“ a „-“. K uložení nastavené hodnoty stiskněte tlačítko „OK“.

P1: Ofset teploty místnosti

Nerovnoměrné rozložení teploty v místnosti může vést k rozdílu mezi zobrazenou skutečnou teplotou I1 a vámi naměřenou teplotou místnosti. Chcete-li rozdíl vyrovnat, můžete nastavit ofset teploty místnosti ± 3 °C pomocí parametru P1.

Příklad: Přístroj zobrazuje I1 = 21,0 °C. Vámi naměřená teplota místnosti je 20,0 °C. Rozdíl je 1,0 °C.

- ▶ Chcete-li rozdíl vyrovnat, nastavte ofset P1 = -1,0.

P2: Časový formát

Pomocí parametru P2 lze určit, zda se čas zobrazí ve 12hodinovém nebo 24hodinovém formátu.

P3: Jednotka ukazatele teploty

Pomocí parametru P3 lze určit, zda se teplota místnosti zobrazí ve stupních Celsia [°C] nebo stupních Fahrenheita [°F].

P4: Reset časových programů

Aktivací parametru P4 resetujete všechny časové programy na stav při dodání.

P5: Reset relativní doby ohřevu

Aktivováním parametru P5 resetujete počítadlo relativní doby ohřevu (I2).

5.3.4 Přístup pro autorizovaný servis

Ukazatel	Popis
CodE	Přístup pro autorizovaný servis



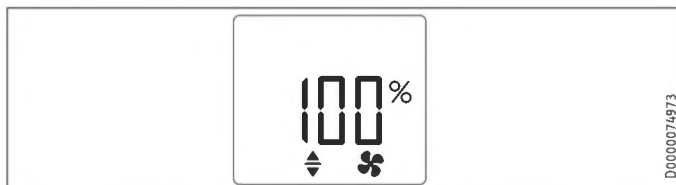
Upozornění
Některé položky menu jsou chráněné kódem a může je číst a nastavovat jen autorizovaný servisní personál.

6. Nastavení při stávajícím prostorovém termostatu montovaném na stěnu



Upozornění
Pokud je odběr tepla (vybíjení) řízen prostorovým termostatem namontovaným na stěně, máte v přístroji k dispozici jen velmi omezené možnosti nastavení.

6.1 Standardní zobrazení



Standardní zobrazení je ukázáno trvale. Pokud se nacházíte v nabídce a neprovedete po dobu delší než 20 sekund žádnou akci obsluhy, přístroj se automaticky přepne na standardní zobrazení.

Ve standardním zobrazení vidíte aktuální nastavení omezovače stupně nabití a symbol „Parametry lze editovat“. Pomocí tlačítek „+“ a „-“ lze pro dny, kdy je spotřeba tepla nižší, provést ruční úpravu množství nabití v krocích po 10 %.

6.2 Základní nabídka



Upozornění
Základní nabídku je možné vyvolat pouze v případě, že je přístroj vybaven přídatným topením (příslušenství).

Abyste se dostali do základní nabídky, musíte krátce stisknout tlačítko „Nabídka“.

Ukazatel	Popis
OFF	Zapnutí a vypnutí přídatného topení (příslušenství) Dokonce i s prostorovým termostatem montovaným na stěnu a se spínačem přídatného topení je nutné v základní nabídce zapnout přídatné topení.

Chcete-li změnit nastavení bodu nabídky, stiskněte tlačítko „OK“.

Jakmile se zobrazí symbol „Parametry lze editovat“, můžete nastavení položky nabídky změnit pomocí tlačítek „+“ a „-“. K uložení nastavení stiskněte tlačítko „OK“.

K opuštění základní nabídky stiskněte tlačítko „Nabídka“. Zobrazí se standardní zobrazení.

6.3 Konfigurační nabídka

Ukazatel	Popis
I2	Skutečná hodnota
P5	Parametry
CodE	Přístup pro autorizovaný servis

Chcete-li vstoupit do konfigurační nabídky, podržte stisknuté tlačítko „Nabídka“. Po cca 3 sekundách se zobrazí skutečná hodnota I2.

Pomocí tlačítek „+“ a „-“ lze přepínat mezi skutečnou hodnotou a parametrem.

K opuštění konfigurační nabídky stiskněte tlačítko „Nabídka“. Zobrazí se standardní zobrazení.

6.3.1 Skutečná hodnota

Ukazatel	Popis	Jednotka
I2	Relativní doba ohřevu (Počítadlo lze resetovat pomocí parametru P5.)	[h]



Upozornění
Počítadlo relativní doby ohřevu (I2) počítá dobu nabíjení v celých provozních hodinách. Pokud byl přístroj nabíjen celou hodinu, dokonce i v intervalech, počítadlo se zvýší.

6.3.2 Parametry

Ukazatel	Popis	Možnosti
P5	Reset relativní doby ohřevu Aktivováním parametru resetujete počítadlo relativní doby ohřevu (I2).	on off

Pokud chcete změnit nastavení parametru, stiskněte tlačítko „OK“.

Jakmile se zobrazí symbol „Parametry lze editovat“, můžete nastavení parametru změnit pomocí tlačítek „+“ a „-“. K uložení nastavení stiskněte tlačítko „OK“.

6.3.3 Přístup pro autorizovaný servis

Ukazatel	Popis
CodE	Přístup pro autorizovaný servis



Upozornění
Některé položky menu jsou chráněné kódem a může je číst a nastavovat jen autorizovaný servisní personál.

7. Čištění, péče a údržba



Věcné škody

- Nestříkejte do větracích otvorů čisticí spreje.
- Pamatujte, že do přístroje nesmí vniknout žádná vlhkost.

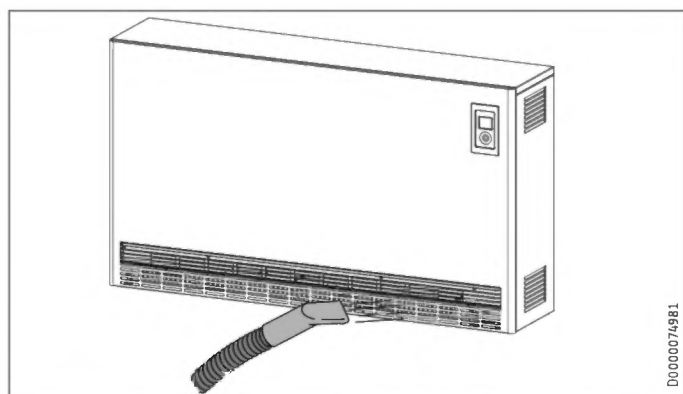
- Pokud se na přístroji objeví mírně zahnědlé zbarvení, setřete je vlhkou utěrkou.
- Přístroj čistěte v ochlazeném stavu běžnými čisticími prostředky. Nepoužívejte čisticí písky a leptavé prostředky.

7.1 Čištění sítka proti prachu



Upozornění

Pravidelně čistěte vláknové sítka usazené pod vstupem vzduchu. Tím zajistíte bezvadné vybíjení přístroje. V případě zanesení sítka vypněte ventilátor.



D0000074981

- Vláknové sítka usazené pod vstupem vzduchu čistěte vysavačem.

8. Odstranění problémů

Problém	Příčina	Odstranění
Přístroj se neohřívá.	Nabití nebylo nastaveno nebo bylo nastaveno příliš nízké nabití. Je nastavena příliš nízká teplota na přístroji.	Nastavte vyšší nabití. Zkontrolujte nastavenou teplotu místnosti. Případně doladte.
	Spuštění ventilátoru je vypnuté.	Zapněte spuštění ventilátoru.
	Chybí napájení.	Zkontrolujte pojistky a ochranný spínač domovní instalace.
Místnost není dostatečně teplá, přestože přístroj je horký.	Přehřátí. Bezpečnostní omezovač teploty omezuje topný výkon.	Odstraňte příčinu (nečistoty nebo překážky na vstupu nebo výstupu vzduchu). Dodržte minimální vzdálenosti!
	Potřeba tepla v místnosti je vyšší než výkon přístroje.	Omezte tepelné ztráty (zavřete okna a dveře. Zabraňte trvalému větrání.)
Přístroj vyrábí i při mírných klimatických podmínkách velké množství tepla.	Nastavení na řídicím systému nabití a/nebo regulaci nabití není správné.	Upravte nastavení.
Místnost je příliš teplá.	Je nastavena příliš vysoká teplota na přístroji.	Zkontrolujte nastavenou teplotu místnosti. Případně doladte.
Přístroj se nevybíjí.	Sítka je ucpané.	Viz kapitola „Čištění, péče a údržba“.
Zjištění otevřeného okna nereaguje.	Přístroj nezjistí žádný významný pokles teploty v důsledku větrání. (Zjištění otevřeného okna vyžaduje dříve stabilní teplotu místnosti.)	Po nastavení na přístroji vyčkejte, dokud se teplota místnosti zcela nestabilizuje. Vyhněte se překážkám pro výměnu vzduchu mezi přístrojem a vzduchem v místnosti. Uzamkněte ventilátor na dobu větrání.
	Zjištění otevřeného okna není aktivováno.	V základní nabídce zapněte zjištění otevřeného okna.
Funkce „Adaptivní start“ nefunguje podle potřeby.	Funkce má vliv pouze na provoz časovače. Teplota místnosti se silně mění nebo proces učení přístroje není dokončen.	Provoz časovače použijte pro optimální komfort topení. Počkejte několik dní, než se chování stabilizuje.
	Funkce „Adaptivní start“ není aktivována.	Zapněte v základní nabídce funkci „Adaptivní start“.
Zobrazení ukazuje „E1“, „E2“ nebo „E3“.	Byla zjištěna vnitřní chyba.	Informujte autorizovaný servis.



Upozornění

Změny nebo nápravy řídicího systému nabití se projeví teprve po opětovném nabití.

Pokud nedokážete příčinu odstranit, kontaktujte specializovaného odborníka. K získání lepší a rychlejší pomoci sdělte číslo z typového štítku (000000-0000-000000).

INSTALACE

9. Zabezpečení

Instalaci, uvedení do provozu, údržbu a opravy přístroje smí provádět pouze odborník.

9.1 Všeobecné bezpečnostní pokyny

Řádnou funkci a spolehlivý provoz lze zaručit pouze v případě použití původního příslušenství a originálních náhradních dílů určených pro tento přístroj.

9.2 Předpisy, normy a ustanovení



VÝSTRAHA elektrický proud
Veškerá elektrická zapojení a instalace provádějte podle předpisů.



VÝSTRAHA elektrický proud
Přípojka k elektrické síti smí být provedena pouze jako pevná přípojka.
Přístroj musí být možné odpojit od síťové přípojky na všech pólech na vzdálenost nejméně 3 mm.



Věcné škody
Dodržujte údaje uvedené na typovém štítku. Uvedené napětí se musí shodovat se síťovým napětím.
Provozní prostředky přizpůsobte jmenovitému příkonu přístrojů.



Věcné škody
Upevněte přístroj na stěnu nebo podlahu tak, aby byla zaručena jeho stabilita.

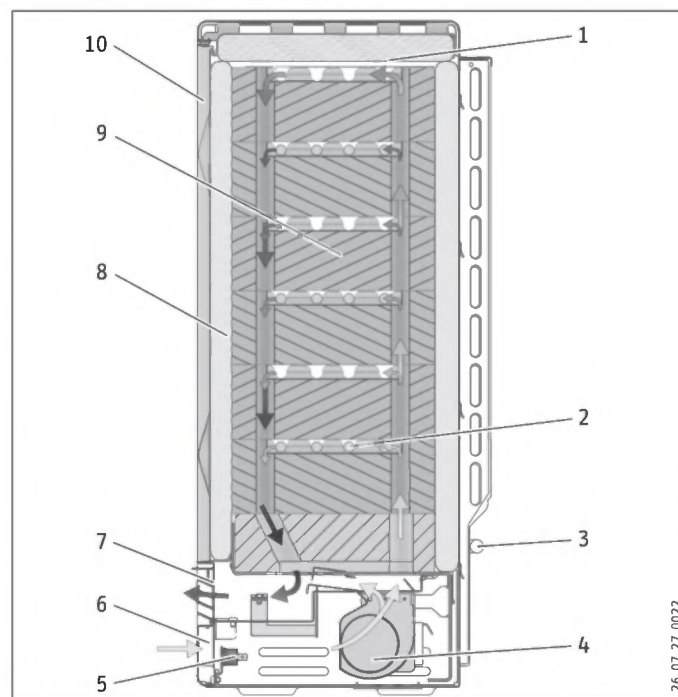


Věcné škody
- Neinstalujte přístroj přímo pod zásuvku.
- Pamatujte, že se přívodní kabel nesmí dotýkat žádných částí přístroje.



Věcné škody
Dodržujte všechny národní a místní předpisy a ustanovení.

10. Popis přístroje



- 1 Krycí plech
- 2 Topná tělesa
- 3 Snímač teploty v místnosti
- 4 Ventilátor (M1)
- 5 Ochranný regulátor teploty (N5)
- 6 Vstup vzduchu
- 7 Výstup vzduchu
- 8 Izolace
- 9 Akumulační cihly
- 10 Přední stěna a vnitřní přední stěna

10.1 Princip činnosti

Akumulační vyzdívka se nahřívá prostřednictvím topných těles uložených mezi řadami cihel vyzdívky. Regulátorem nabíjení se nastavuje nabíjení. Začátek a trvání doby nabíjení určuje příslušné elektrorozvodné závody.

Přehřátí přístroje brání dva vestavěné ochranné regulátory teploty a bezpečnostní omezovač teploty. Zatímco ochranný regulátor teploty se sám opět zapne, bezpečnostní omezovač teploty se musí po odstranění příčiny závady znovu zapnout stisknutím knoflíku umístěného uprostřed omezovače.

Uložené teplo se uvolňuje pomocí ventilátoru, částečně i přes povrch přístroje. Přitom ventilátor nasává vzduch z místnosti přes otvor vstupního vzduchu a fouká jej přes vzduchové kanály akumulací vyzdívky, kde se ohřívá.

Před výstupem přes mřížku pro výstup vzduchu se takto vyrobený horký vzduch smíchá pomocí dvou směšovací klapky s chladnějším venkovním vzduchem, aby vystupující vzduch nepřekročil maximální přípustnou teplotu. Poloha směšovací klapky a tím směšovací poměr vzduchu se reguluje pomocí bimetalického regulátoru.

10.2 Rozsah dodávky

Spolu s přístrojem je dodáváno:

- Akumulační cihly

10.3 Příslušenství

- 2bodový prostorový termostat (regulace vybíjení)
- Přídavné topení
- Konstrukční sada DC Control Input (řídící signál DC)

11. Příprava



Věcné škody

Je nutno zajistit, aby byl zachován rozdíl potenciálů max. 230 V mezi všemi přípojkami na straně síťového napětí L, L1 a různými řídicími signály SL, A1, A2, LF, SH, LE a LH.



Upozornění

Na svorkách L a N svorkovnice X2 musí být přítomno trvalé napětí.



Upozornění

Je-li přístroj připojen k automatickému řídicímu systému dobíjení (např. EAC 4), musí být nastaveno řízení nabíjení pro elektronický regulátor nabíjení bez korekce napětí.

11.1 Místo montáže



VÝSTRAHA popálení

- Zajistěte, aby stěna, na kterou se přístroj instaluje, odolávala teplotám alespoň 85 °C a podlaha alespoň 80 °C.
- Dodržujte minimální vzdálenosti od sousedních povrchů.



Upozornění

Pokud se přístroj instaluje v místnostech, ve kterých hrozí výskyt spalin, oleje nebo výparů nebo ve kterých probíhá práce s rozpouštědly a chemikáliemi, může následkem provozu vzniknout na přístroji dlouhodobé načichnutí nebo znečištění.



Věcné škody

Přístroj musí být instalován rovnoběžně se stěnou.

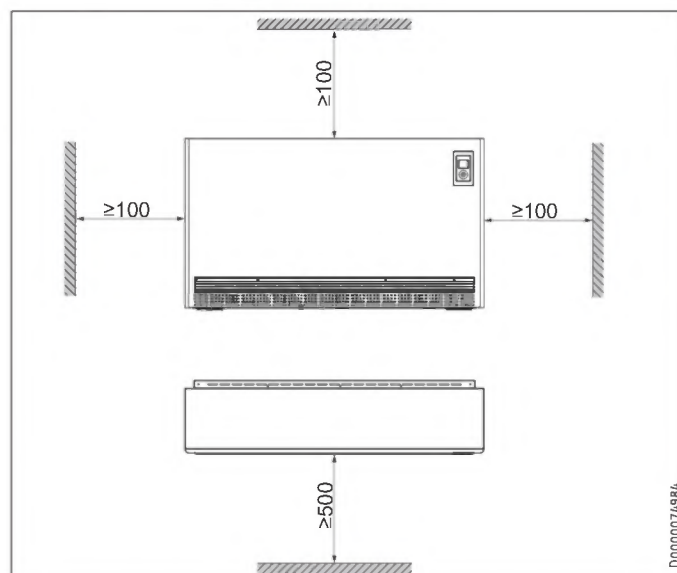
Instalační plocha přístroje musí být rovná a musí mít dostatečnou nosnost. Informace o hmotnosti přístroje získáte v kapitole „Technické údaje / Tabulka údajů“.

- V případě pochybností kontaktujte znalce v oboru stavebnictví.

Přístroje mohou být umístěny na libovolnou běžnou podlahu, ale v oblasti nohou přístrojů se pod tlakem a vlivem tepla mohou vyskytnout změny na podlaze z PVC, parketách a koberci s dlouhým nebo vysokým vlasem. V těchto případech musí být používány tepelně odolné podložky (které musí poskytnout zákazník).

Stabilita přístroje musí být zajištěna upevněním ke stěně nebo podlaze (viz kapitola „Montáž/Možnosti montáže“).

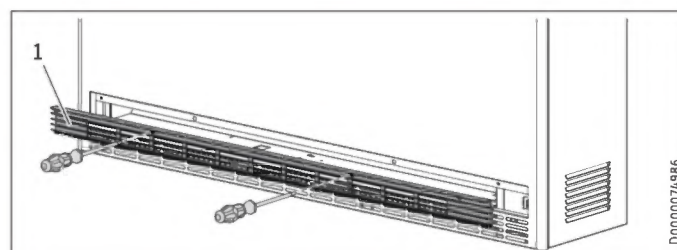
11.2 Minimální vzdálenosti



- Zajistěte, aby mohl z přístroje volně unikat horký vzduch.

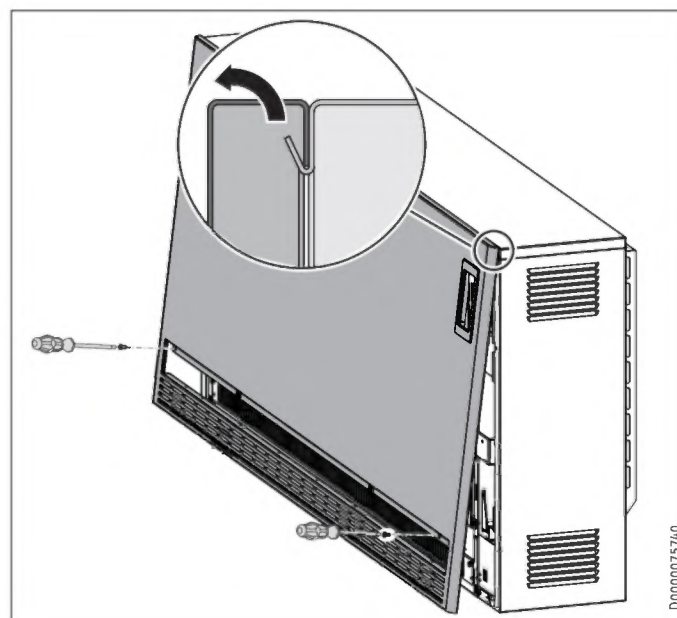
12. Montáž

12.1 Otevření přístroje

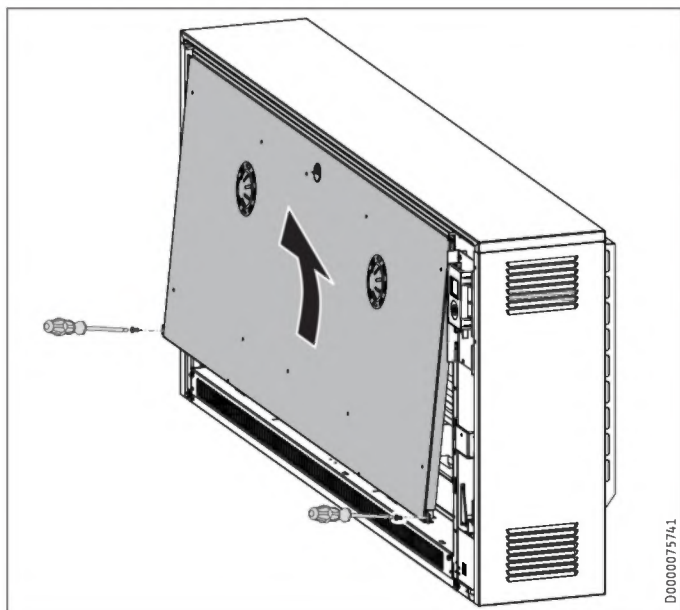


1 Mřížka na výstupu vzduchu

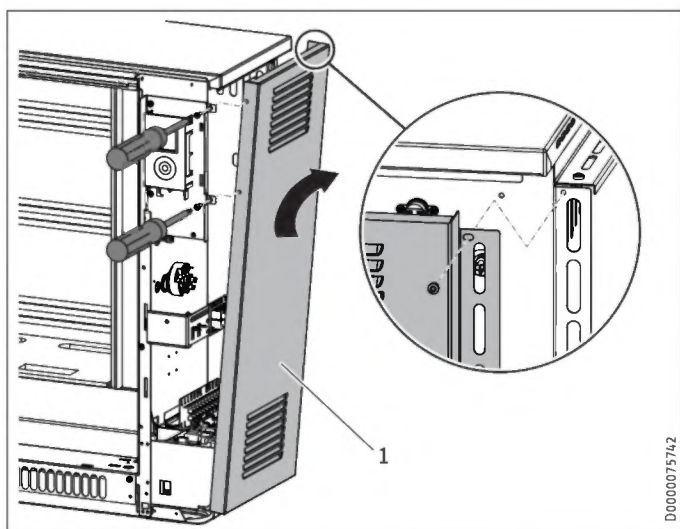
- Povolte oba čtvrtěční otočné uzávěry mřížky na výstupu vzduchu a vyjměte je.



- ▶ Povolte šrouby přední stěny.
- ▶ Přední stěnu potáhněte dopředu a vyzdvihněte ji směrem vzhůru.



- ▶ Uvolněte šrouby vnitřní přední stěny na spodní hraně.
- ▶ Vnitřní přední stěnu potáhněte dopředu a vyzdvihněte ji směrem vzhůru.



- 1 Pravá postranní stěna (s uvolněným šroubením)
- ▶ Uvolněte 3 šrouby vpředu a vzadu na pravé postranní stěně.
 - ▶ Postranní stěnu lehce přitáhněte směrem dopředu a sklopte ji nahoru na stranu.
 - ▶ Lehce nadzvedněte postranní stěnu a sejměte ji.

12.2 Nastavte regulaci nabíjení



Upozornění

Zohledněte následující údaje. Po montáži lze někdy tato nastavení provést v závislosti na místě a způsobu montáže pouze podmíněně.

12.2.1 Snížení příkonu

Zapojení přístroje je ze závodu nastaveno na maximální výkon (100 %).

Přemostěním, resp. odstraněním přemostění na připojovacích svorkách můžete příkon snížit o 3 výkonové stupně (viz kapitola „Technické údaje / Snížení příkonu“).

Dimenzování průřezů vodičů a zajištění je třeba provést v souladu s maximálním možným výkonem přístroje.



Upozornění

Dodržujte předpisy příslušných elektrorozvodných závodů.

12.2.2 Úprava výkonu v souladu se zvýšenou jmenovitou dobou nabíjení

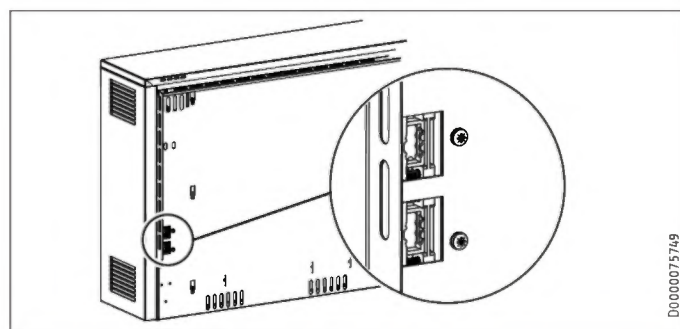
Přeložením resp. odstraněním přemostění na připojovacích svorkách lze příkon upravit na jmenovitou dobu nabíjení určenou elektrorozvodnými závody. Sériově jsou akumulární kamna dimenzována na jmenovitou dobu nabíjení v délce 8 hodin.

- ▶ Dbejte minimálních odstupů (viz kapitola „Technické údaje / Minimální odstup“).

12.2.3 Přípojka k řídicímu signálu DC

Je-li v zařízení instalován řídicí systém nabíjení (stejnoseměrné napětí 0,91 V – 1,43 V), potřebujete konstrukční sadu DC Control Input (příslušenství). Řídicí signál DC musí být připojen na svorky A1/Z1 „DC + (kladný pól)“ a A2/Z2 „DC – (záporný pól)“ na svorkovnici X3. Dbejte na polaritu.

12.3 Síťová přípojka / přívodní vedení



VÝSTRAHA elektrický proud

- ▶ Před zahájením práce na přístroji odpojte přívodní vedení v rozvaděči od napětí.

- ▶ Protáhněte síťová přívodní vedení a přívodní vedení regulátoru nabíjení a vybijení otvory v zadní stěně přístroje a zapojte (viz kapitola „Technické údaje / Schéma elektrického zapojení“).
- ▶ Položte přívodní vedení v délce cca 260 mm a podle potřeby zkraťte. Kable nesmí přilíhat k větracím otvorům v postranní stěně.

12.4 Připojení elektrického napětí

12.4.1 Obecné informace



VÝSTRAHA elektrický proud
Je-li přístroj připojen k automatickému řídicímu systému nabíjení, může být na svorkách A1/Z1 a A2/Z2 napětí i tehdy, jsou-li vyjmuté pojistky.

Elektrické připojení topných těles probíhá při 3/N/PE~400 V. S konstrukční sadou jednofázového připojení je možné i připojení 1/N/PE~230 V.

Připojení pomocí NYM je možné. Počet přívodních vedení a žil kabelu, jakož i průřezy vodiče závisí na připojovací hodnotě přístroje a typu síťové přípojky a dále na zvláštních předpisech elektroizvodny.

Dodržujte schéma elektrického zapojení a výkonové stupně (viz kapitola „Technické údaje“).

12.4.2 Připojení přístroje



VÝSTRAHA elektrický proud
Dbejte bezpodmínečně na bezvadné připojení ochranného vodiče.



VÝSTRAHA elektrický proud
Přívodní vedení nesmí být poškozená, vyjmutá nebo vytažená z přístroje.
▶ Položte přívodní vedení odpovídajícím způsobem.



Upozornění
Na svorkách L a N svorkovnice X2 musí být přítomno trvalé napětí.

- ▶ Elektrická přívodní vedení zajistěte proti vytržení a připojte je podle schématu zapojení v přístroji (na vnitřní straně pravé postranní stěny) nebo podle schématu elektrického zapojení v kapitole „Technické údaje“.

Pokud je plechový úhelník usazený v prostoru rozvaděče obtížně dostupný pro umístění svorek síťového zapojení kvůli malé vzdálenosti mezi stěnami, můžete ho po uvolnění upevňovacího šroubu vychýlit vpřed.

12.4.3 Řízení bez stykače k topení

Pokud se nemá instalovat stykač topení (částečně požadavek elektrorozvodného závodu), může být použita funkce elektroniky akumulacních kamen.

- ▶ K tomu připojte buď signály elektrorozvodného závodu LF a N nebo signály SH a N příslušného řízení nabíjení přímo na svorkách LF/SH a N akumulacních kamen.
- ▶ V konfigurační nabídce nastavte parametr P15 na 1 (viz kapitola „Instalace/Nastavení“).

Topná tělesa v přístroji se zapnou teprve tehdy, dojde-li ze strany elektrorozvodných závodů k uvolnění tarifu pro nabíjení a nabíjení povolí elektronický regulátor nabíjení.

12.4.4 Typový štítek přístroje



Upozornění
Poznamenejte si příkon a jmenovitou dobu nabíjení.

- ▶ Vyznačte proto na typovém štítku příslušná políčka.

12.5 Možnosti montáže

12.5.1 Montáž na stěnu

(u dostatečně nosné stěny)

Pro upevnění na stěnu se v zadní stěně přístroje v prostoru rozvaděče nachází otvor.

- ▶ Přišroubujte přístroj vhodným šroubem ke stěně, aby nedošlo k jeho překlopení.

12.5.2 Upevnění k podlaze

Případně můžete přístroj sešroubovat pomocí čtyř otvorů (Ø9 mm) v patkách přístroje s podlahou.

- ▶ Demontujte mřížku výstupu vzduchu, přední stěnu a konstrukční skupinu rozvodu vzduchu (viz kapitoly „Montáž/Otevření přístroje a Čištění přístroje“).
- ▶ Přišroubujte přístroj pomocí vhodných šroubů k podlaze.

12.6 Vložení akumulacních vyzdívky



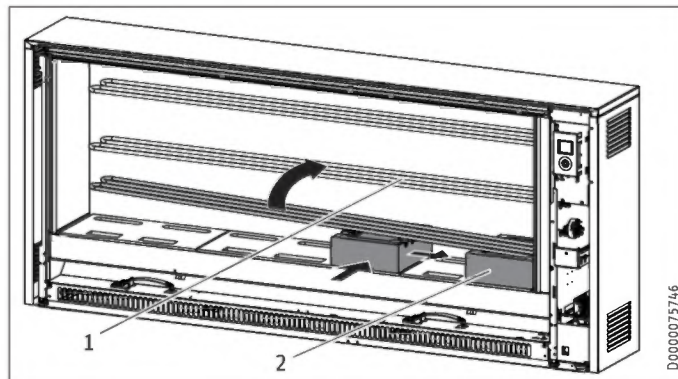
VÝSTRAHA popálení
Poškozená tepelná izolace může způsobit přehřátí pláště.

- ▶ Zkontrolujte tepelnou izolaci v přístroji, zda nebyla při přepravě poškozena.
- ▶ Vyměňte vadné části tepelné izolace.

Přístroj musí být zcela očištěn od cizích těles a zbytků obalu.

- ▶ Odstraňte krycí plech a vloženou lepenku z vnitřního prostoru přístroje.

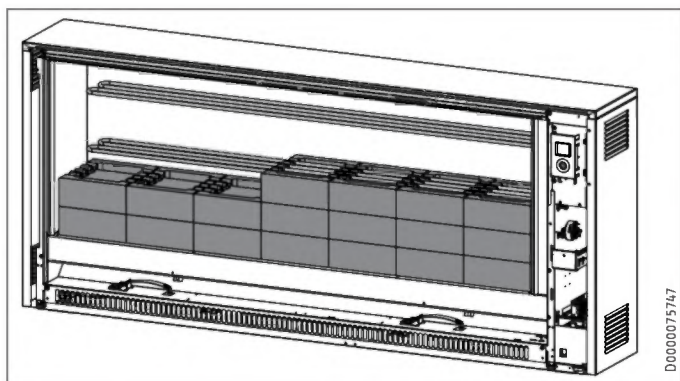
Cihly akumulacní vyzdívky se dodávají ve zvláštním obalu. Akumulacní cihly s lehkým poškozením způsobeným přepravou lze použít. Funkce přístroje tím není omezena.



- 1 Topná tělesa
- 2 Akumulacní cihla

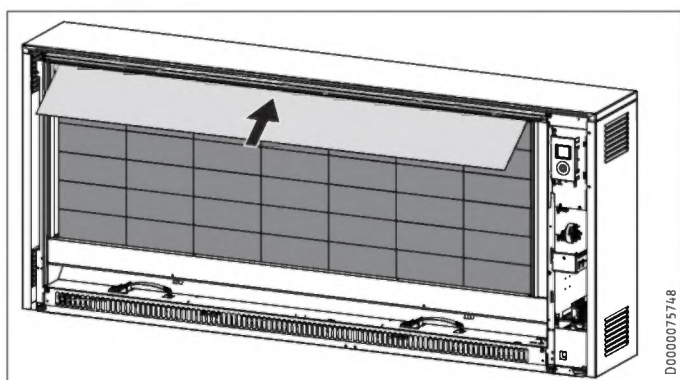
- ▶ Při instalaci akumulacních cihel topná tělesa mírně zvedněte.
- ▶ Dbejte při zvedání topných těles na to, aby průchozí otvory v postranní tepelné izolaci nebyly topným tělesem rozšířeny.

- ▶ Vložte první akumulční cihlu při dodržení určitého rozestupu k pravé tepelné izolaci, a sice štěrbinou topného tělesa nahoru.
- ▶ Přisuňte akumulční cihlu k pravé a současně zadní tepelné izolaci. Podélné otvory tvoří topné kanály.



D0000075747

- ▶ Další akumulční cihly vložte v předepsaném pořadí.

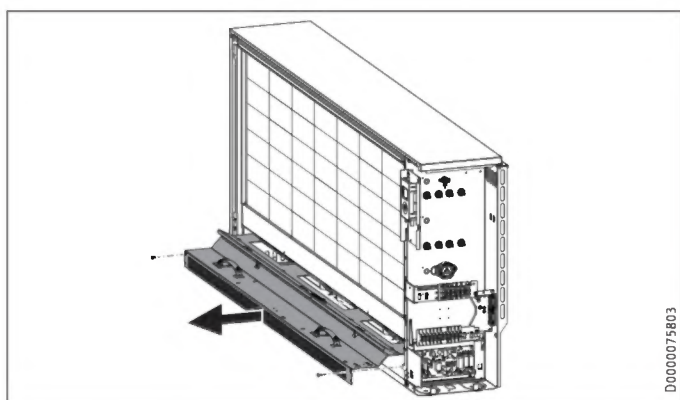


D0000075748

- ▶ Krycí plech sejmutý z vnitřního prostoru posuňte nad horní akumulční cihly.

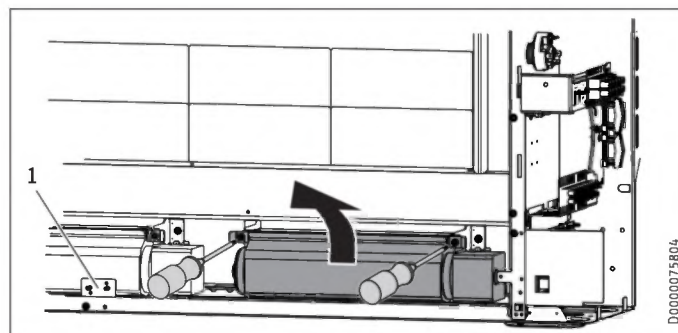
12.7 Předání přístroje

- ▶ Po instalaci a vsazení akumulční vyzdívky přístroj vyčistěte. Postupujte takto:



D0000075803

- ▶ Vyměňte konstrukční skupinu rozvodu vzduchu.



D0000075804

1 Ochranný regulátor teploty (N5)

- ▶ Zvedněte ventilátor a vyjměte ho. K tomu musíte uvolnit šrouby usazené vpředu na přídržovacím úhelníku.
- ▶ Pamatujte na uložení kabelů.

U některých přístrojů je k tomu třeba vyšroubovat ochranný regulátor teploty (N5) včetně úchytného plechu.

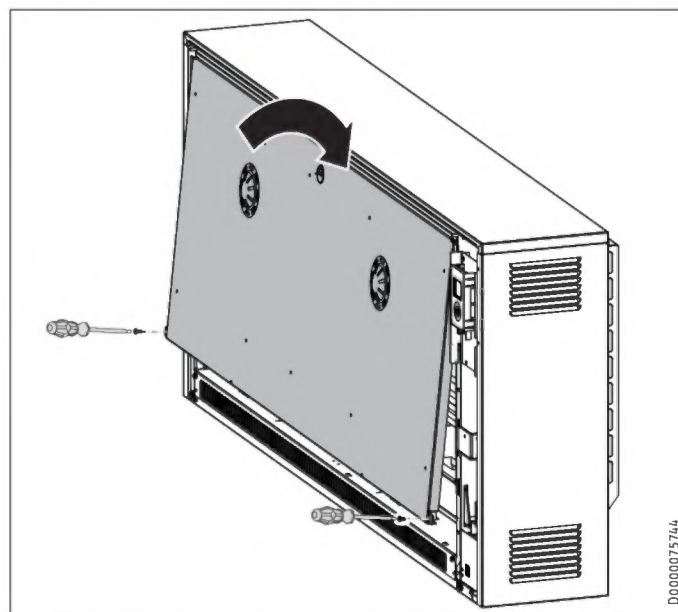


Věcné škody

Při ukládání demontovaných částí dbejte na to, aby se nepoškodily vodiče.

- ▶ Vyčistěte spodní plech a ventilátor. Dávejte pozor, abyste nepoškodili lamely.
- ▶ V případě potřeby znovu namontujte ventilátor, ochranný regulátor teploty a konstrukční skupinu rozvodu vzduchu.
- ▶ Pamatujte na správné uložení kabelů.

12.8 Uzavření přístroje

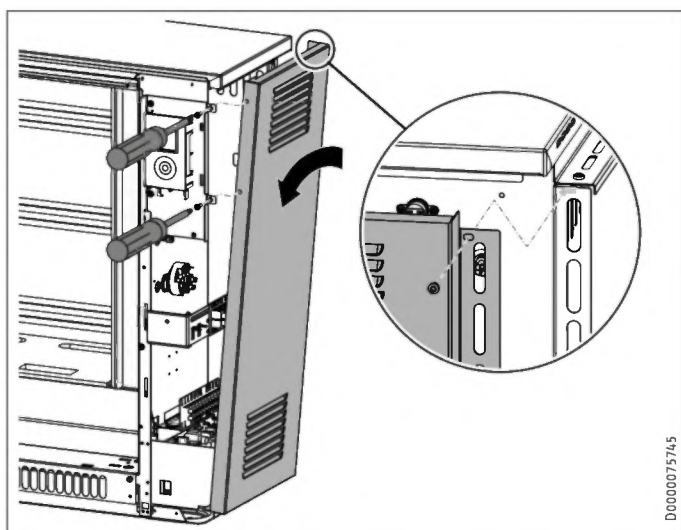


D0000075744

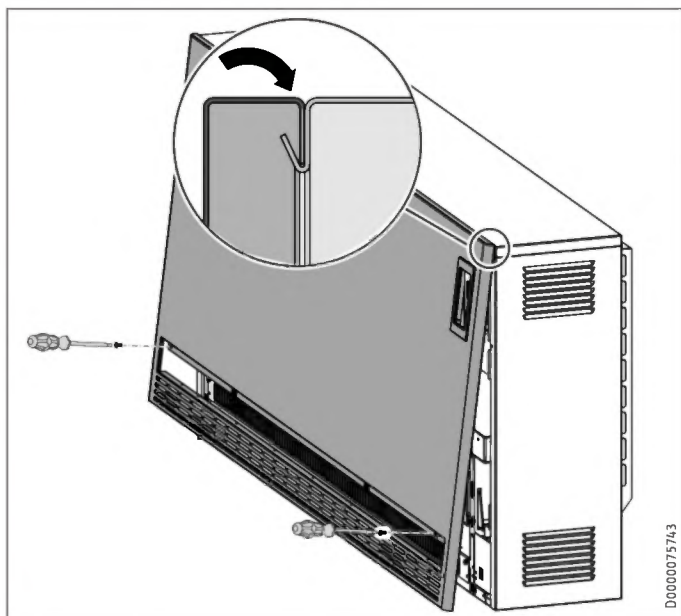
- ▶ Nasadte zpět vnitřní přední stěnu.

INSTALACE

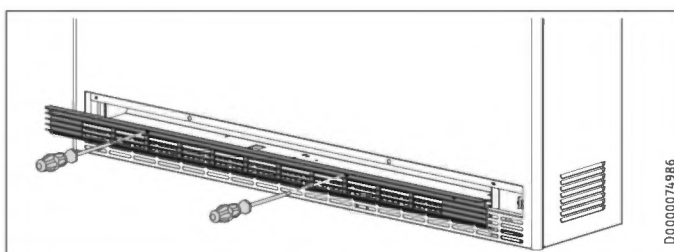
Nastavení



- ▶ Nasadte pravou dolní postranní stěnu a vyklopte ji nahoru na přístroj.
- ▶ Zavěste horní postranní stěnu na víko a zatlačte ji dozadu. Ujistěte se, že postranní stěna spočívá na úchytném plechu ovládací jednotky.
- ▶ Postranní stěnu přišroubujte 3 šrouby včetně ozubených kotoučů.



- ▶ Před montáží přední stěny sundejte ochrannou fólii z ovládací jednotky.
- ▶ Nasadte zpět přední stěnu.
- ▶ Přední stěnu přišroubujte šrouby včetně ozubených kotoučů.



- ▶ Nasadte mřížku výstupu vzduchu přes oba čtvrtěční otočné uzávěry.

13. Nastavení

13.1 Konfigurační nabídka

Chcete-li vstoupit do konfigurační nabídky, podržte stisknuté tlačítko „Nabídka“. Po cca 3 sekundách se zobrazí skutečná hodnota I1.

Ukazatel	Popis
I1-I2	Skutečné hodnoty
Pro1-Pro3	Časové programy
P1-P5	Parametry
CodE	Přístup pro autorizovaný servis

Po zadání čtyřmístného číselného kódu se aktivují další skutečné hodnoty a parametry, které jsou vyhrazeny pro autorizovaný servis.

Úroveň přístupu	Popis
A0	Skutečné hodnoty a parametry, které jsou odblokovány pro uživatele přístroje, a proto jsou dostupné bez kódu.
A1	Skutečné hodnoty a parametry pro autorizovaný servis.

13.1.1 Zadejte kód

Kód naprogramovaný ze závodu je 1000.

- ▶ Pomocí tlačítek „+“ nebo „-“ vyvolejte bod nabídky „CodE“. Střídavě s bodem nabídky se zobrazí úroveň přístupu A0.
- ▶ Stiskněte tlačítko „OK“. Zobrazí se zadání kódu. První číslice bliká.
- ▶ Pomocí tlačítek „+“ nebo „-“ zadejte kód 1000. Po zadání každé číslice stiskněte tlačítko „OK“.

Po správném zadání kódu jsou vidět skutečné hodnoty a parametry, které byly dříve zablokované.

13.1.2 Skutečné hodnoty

Ukazatel	Popis	Úroveň přístupu	Jednotka
I1	Skutečná hodnota teploty místnosti	A0	[°C] [°F]
I2	Relativní doba ohřevu (Počítadlo lze resetovat pomocí parametru P5.)	A0	[h]
I3	Požadovaný stupeň nabití dalšího nabíjení	A1	[%]
I4	Skutečný stupeň nabití	A1	[%]

13.1.3 Parametry

Ukazatel	Popis	Úroveň přístupu	Možnosti
P1	Ofset teploty místnosti	A0	±3 °C ±5 °F
P2	Časový formát	A0	12 h 24 h
P3	Jednotka ukazatele teploty	A0	°C °F
P4	Reset časových programů	A0	on off
P5	Reset relativní doby ohřevu	A0	on off
P6	Řídicí signál SL	A1	0 1
P7	Typ řízení ventilátoru	A1	0 1
P8	Snížení vypínací teploty	A1	100 % 90 % 80 % 70 %
P12	Přídavné topení	A1	0 1
P14	Zdroj požadovaného stupně nabití	A1	1 2 3
P15	Zdroj aktivace nízkého tarifu	A1	0 1
P17	Systém ED	A1	30–80 %
P18	Postup při poruchách	A1	0 1

Chcete-li změnit hodnotu parametru, vyvolejte příslušný parametr tlačítkem „+“. Stiskněte tlačítko „OK“.

Jakmile se zobrazí symbol „Parametry lze editovat“, můžete hodnotu parametru změnit pomocí tlačítek „+“ a „-“. K uložení nastavené hodnoty stiskněte tlačítko „OK“.

Pokud stisknete tlačítko „Nabídka“ nebo neprovedete po dobu delší než 10 sekund žádnou akci obsluhy, přístroj se automaticky přepne na standardní zobrazení. Blokování parametrů se znovu aktivuje.

P6: Řídicí signál SL

Možnosti	Popis
0	Vstup SL deaktivován (tovární nastavení): Řízení ventilátoru se provádí pomocí prostorového termostatu integrovaného v přístroji.
1	Vstup SL aktivován: Řízení ventilátoru se provádí pomocí 2bodového prostorového termostatu montovaného na stěnu.

P7: Typ řízení ventilátoru

Možnosti	Popis
0	2bodový regulátor: Ventilátor se zapíná a vypíná podle spotřeby tepla prostorovým termostatem integrovaným v přístroji.
1	Proporcionální regulátor (nastavení z výroby): Otáčky motorů ventilátorů se plynule přizpůsobí spotřebě tepla prostorového termostatu integrovaného v přístroji.

P8: Snížení vypínací teploty

Přes parametr P8 lze ve spojení s měnitelným příkonem vybrat čtyři různé stupně nabití pro elektronický regulátor nabíjení (100 %, 90 %, 80 % nebo 70 %). Nastavení z výroby je 100 % (žádné snížení).

Je-li vybráno jiné nastavení, sníží se stupeň nabití (sníží se vypínací teplota elektronického regulátoru nabíjení). Viz kapitola „Technické údaje / Snížení příkonu při zachování jmenovité doby nabíjení 8 hodin“.

P12: Přídavné topení (příslušenství)

Možnosti	Popis
0	Není-li v přístroji instalováno žádné přídavné topení (tovární nastavení).
1	Přídavné topení instalované v přístroji se aktivuje.

P14: Zdroj požadovaného stupně nabití

Možnosti	Popis
1	U přístrojů bez řídicího systému nabíjení regulovaného podle počasí. Množství nabíjení se reguluje pomocí omezovače stupně nabití.
2	Vedení řídicího systému nabíjení je připojeno k řídicímu signálu AC (tovární nastavení).
3	Vedení řídicího systému nabíjení je připojeno k řídicímu signálu DC.

P15: Zdroj aktivace nízkého tarifu

Možnosti	Popis
0	Trvalé spuštění (tovární nastavení): Topná tělesa v přístroji se zapnou po uvolnění nabíjení stykačem topení a elektronickým regulátorem nabíjení.
1	Hardwarový signál LF: Topná tělesa v přístroji se zapnou teprve tehdy, dojde-li ze strany elektrorozvodných závodů k uvolnění tarifu pro nabíjení a nabíjení povolí elektronický regulátor nabíjení.

P17: Systém ED

Vedení řídicího systému nabíjení musí být připojeno k řídicímu signálu AC (signál střídavého napětí na svorkách A1 a A2).

Elektronický regulátor nabíjení přístroje lze provozovat na řídicích systémech nabíjení systémů ED 80 %, 72 %, 68 %, 40 % a 37 %. Nastavení z výroby je určeno pro 80% systémy ED.

Pokud je přístroj provozován na jiných systémech ED, musí být tento parametr nastaven na odpovídající procentuální hodnotu.

P18: Postup při poruchách

Možnosti	Popis
0	Regulátor nabíjení v přístroji je nastaven na „negativní chování při poruchách“ (bez nabíjení akumulčních kamen při vadném řídicím systému nabíjení). Toto nastavení lze provést pouze při provozu s digitálními řídicími systémy nabíjení. U řídicích systémů nabíjení AC je navíc zapotřebí také 80% signál ED.
1	Regulátor nabíjení v přístroji je nastaven na „pozitivní chování při poruchách“ (tovární nastavení). To znamená, že má-li řídicí systém nabíjení závadu (například výpadek řídicího signálu), bude přístroj plně nabít.

14. Uvedení do provozu

14.1 Kontrola před uvedením do provozu

Před uvedením do provozu můžete provést zkoušku funkce. Vyvolejte k tomu režim uvedení do provozu v konfigurační nabídce.

- ▶ Chcete-li vstoupit do konfigurační nabídky, podržte stisknuté tlačítko „Nabídka“ cca 3 sekundy.

Nejprve musíte uvolnit úroveň přístupu A1, která je vyhrazena autorizovanému servisu.

- ▶ Pomocí tlačítek „+“ nebo „-“ vyvolejte bod nabídky „CodE“.
- ▶ Stiskněte tlačítko „OK“.
Zobrazí se zadání kódu. První číslice bliká.
- ▶ Pomocí tlačítek „+“ nebo „-“ zadejte kód 1000. Po zadání každé číslice stiskněte tlačítko „OK“.
- ▶ Po zadání správného kódu vyvolejte tlačítkem „+“ skutečnou hodnotu I4.
- ▶ Chcete-li vstoupit do režimu uvedení do provozu, podržte stisknutá současně tlačítka „Nabídka“ a „+“ cca 3 sekundy.

V režimu uvedení do provozu se provede první nabíjení. Množství nabití odpovídá nastavení na omezovači stupně nabití. Na displeji se zobrazí průběh nabíjení v procentech.



Upozornění

- Pokud je omezovač stupně nabití nastaven na 0 %, nedojde k žádnému nabíjení.
- Po dosažení množství nabití opustí přístroj automaticky režim uvedení do provozu.

- ▶ Zkontrolujte funkci ventilátoru zapnutím spuštění ventilátoru pomocí tlačítka „Ventilátor“.



Upozornění

Ventilátor běží pouze při nabíjení.

- ▶ Chcete-li opustit režim uvedení do provozu, podržte stisknutá současně tlačítka „Nabídka“ a „-“ cca 3 sekundy.

14.2 První uvedení do provozu

Přístroj můžete uvést do provozu ihned po úspěšné montáži.

- ▶ Nabíjení nastavte pomocí omezovače stupně nabití nebo řídicího systému nabíjení.

14.2.1 Nabíjení

Při prvním nabíjení může vznikat zápach.

- ▶ Zajistěte dostatečné větrání prostoru. Vyklopením okna do větrací polohy např. dosáhnete 1,5násobku výměny vzduchu.

Pokud přístroj instalujete v ložnici, nemělo by probíhat první nabíjení během spánku.

15. Přestavba přístroje

Pro přestavbu, nastavbu a vestavbu je rozhodující vždy návod přiložený k příslušné konstrukční sadě.

16. Předání přístroje

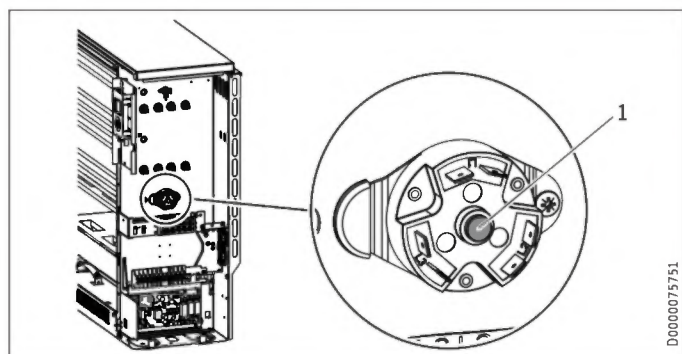
Vysvětlete uživateli funkce přístroje. Upozorněte jej především na bezpečnostní pokyny. Předajte uživateli tento návod k obsluze a instalaci.

17. Odstraňování poruch

17.1 Tabulka poruch

Závada	Příčina	Odstranění
Přístroj se neohřívá.	Řízení stykače topného tělesa není v pořádku.	Zkontrolujte řízení stykače topného tělesa.
	Chybějící napájení akumulačních kamen.	Zkontrolujte pojistky vnitřní instalace.
	Chybějící napájení v regulátoru nabíjení.	Zkontrolujte napájení. Viz kapitola „Elektrické připojení“ a/ nebo „Technické údaje“.
	Bezpečnostní omezovač teploty (F1) se spustil.	Uvolněte opět omezovač teploty (viz kapitola „Uvolnění bezpečnostního omezovače teploty“).
Přístroj se při mírných venkovních teplotách příliš nabíjí (za použití řízení nabíjení).	Řídicí systém dobíjení je špatně nastaven.	Zkontrolujte nastavení řídicího systému nabíjení.
	Regulátor nabíjení nepracuje bezchybně.	Zkontrolujte nastavení parametrů P14, P15, P17 a P18 v konfigurační nabídce (viz kapitola „Instalace/Nastavení“).
	Je přerušen přenos řídicího signálu.	Zkontrolujte, zda akumulační kamna přijímají řídicí signál řídicího systému nabíjení.
Přístroj se při mírných venkovních teplotách příliš nabíjí (při ručním nastavení nabíjení). Přístroj se nevybíjí.	Topná křivka je špatně nastavena.	Zkontrolujte nastavení řízení nabíjení
	Vadné čidlo venkovní teploty.	Přeměňte čidlo venkovní teploty a případně ho vyměňte.
	Regulátor nabíjení vysílá špatný řídicí signál.	Zkontrolujte nastavení parametrů P17 a P18 v konfigurační nabídce (viz kapitola „Instalace/Nastavení“).
Přístroj se při mírných venkovních teplotách příliš nabíjí (při ručním nastavení nabíjení). Přístroj se nevybíjí.	Nastavení omezovače stupně nabití na akumulačních kamnech.	Zkontrolujte nastavení omezovače stupně nabití.
	Ventilátory se netočí.	Zkontrolujte... ... nastavení parametru P6 v konfigurační nabídce (viz kapitola „Instalace/Nastavení“). ... zda je zapnuto spuštění ventilátoru. ... zda je napětí ventilátoru v akumulačních kamnech.
Zobrazení ukazuje kód chyby „E1“.	Vláknové sítko ve vstupu vzduchu je ucpané.	Vyčistěte sítko. Viz kapitola „Čištění, péče a údržba“.
	Snímač teploty v místnosti je vadný.	Zkontrolujte, zda něco nebrání přívodu vzduchu, např. u koberců s vysokým vlasem. Zkontrolujte, zda se nespustil ochranný regulátor teploty (N5) na výstupu vzduchu.
Zobrazení ukazuje kód chyby „E2“.	Snímač teploty jádra je vadný.	Přeměňte snímač teploty v místnosti a případně ho vyměňte.
Zobrazení ukazuje kód chyby „E3“.	Řídicí signál DC je připojen s přepólováním.	Přeměňte snímač teploty jádra a případně ho vyměňte. Zkontrolujte připojení řídicího signálu DC.

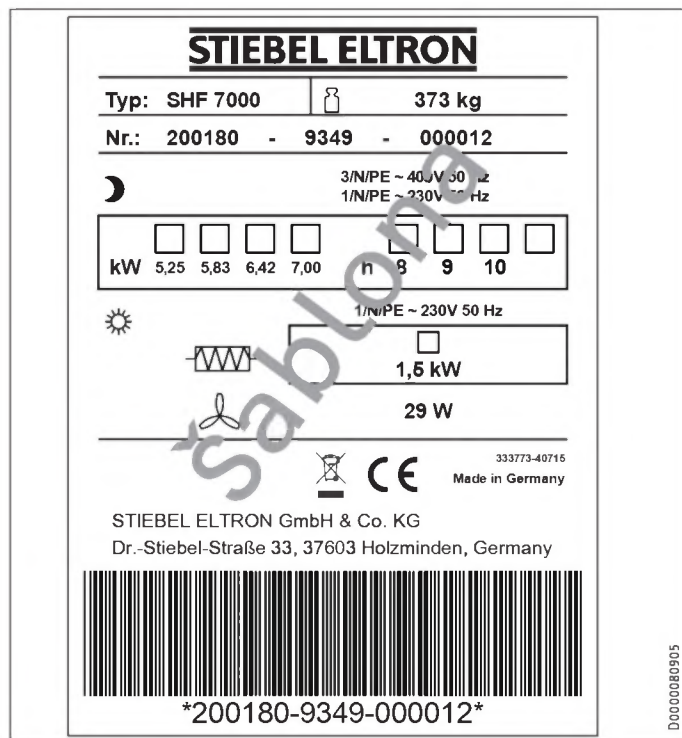
17.1.1 Uvolnění bezpečnostního omezovače teploty (F1)



1 Tlačítko Reset bezpečnostního omezovače teploty

Po odstranění příčiny chyby lze bezpečnostní omezovač teploty opět uvolnit stisknutím tlačítka Reset.

17.2 Symboly na typovém štítku



Symboly typového štítku (příklad SHF 7000)

- Celková hmotnost
- Nabíjení
- Vybíjení
- Přídavné topení
- Ventilátor

18. Čištění a údržba

Kanál ventilátoru za mřížkou výstupu vzduchu se musí každé dva roky kontrolovat. Zde může docházet k usazování mírných nečistot.



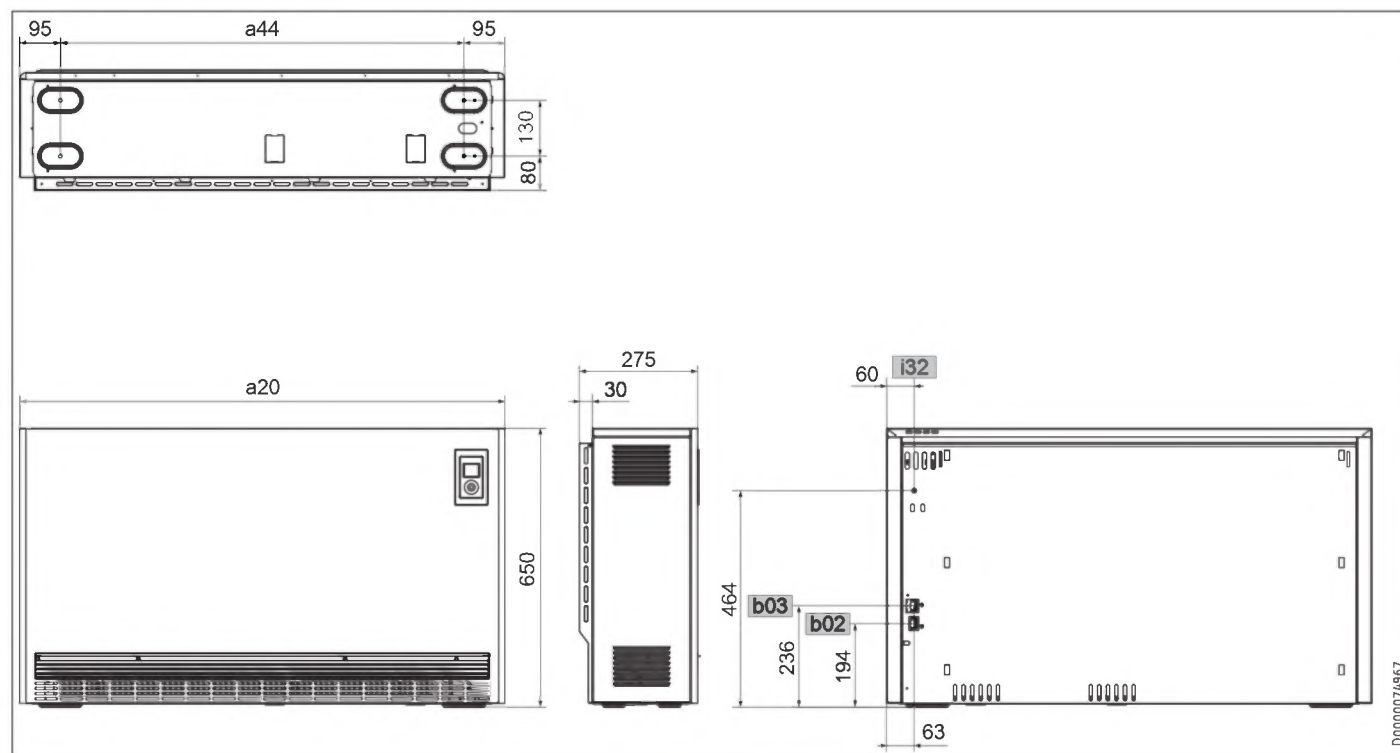
Upozornění

Při pravidelné údržbě doporučujeme nechat otestovat také kontrolní a regulační zařízení.

- ▶ Bezpečnostní, kontrolní a regulační zařízení a celý řídicí systém nabíjení a vybíjení nechejte otestovat autorizovaným servisem nejpozději 10 let po prvním uvedení do provozu.

19. Technické údaje

19.1 Rozměry a přípojky



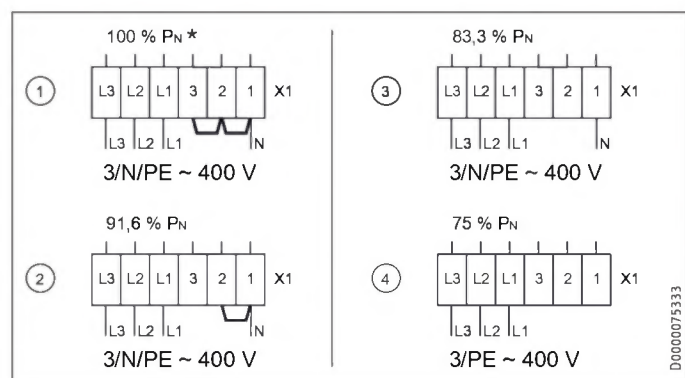
			SHF 2000	SHF 3000	SHF 4000	SHF 5000	SHF 6000	SHF 7000
a20	Přístroj	Šířka	mm	605	780	955	1130	1480
a44	Přístroj	Vzdálenost stavěcích noh	mm	415	590	765	940	1290
b02	Průchodka el. rozvodu I							
b03	Průchodka el. vodičů II							
i32	Fixace							

INSTALACE

Technické údaje

19.3 Snížení příkonu

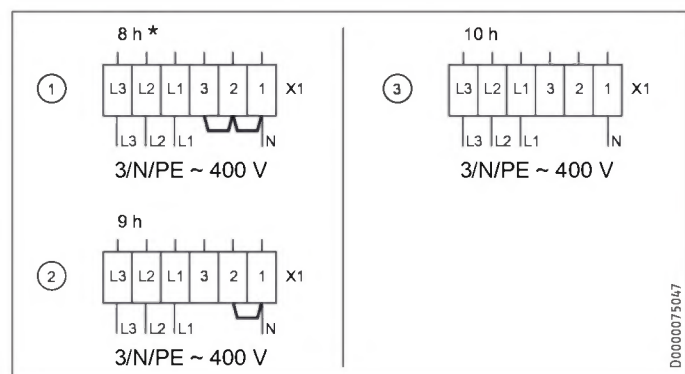
Možnosti připojení (topná tělesa 8h)		①	②	③	④
		100 %	91,6 %	83,3 %	75 %
Typy					
SHF 2000	kW	2,00	1,83	1,67	1,50
SHF 3000	kW	3,00	2,75	2,50	2,25
SHF 4000	kW	4,00	3,66	3,33	3,00
SHF 5000	kW	5,00	4,58	4,16	3,75
SHF 6000	kW	6,00	5,50	5,00	4,50
SHF 7000	kW	7,00	6,42	5,83	5,25



* Sériové zapojení

19.4 Úprava výkonu (jmenovitá doba nabíjení)

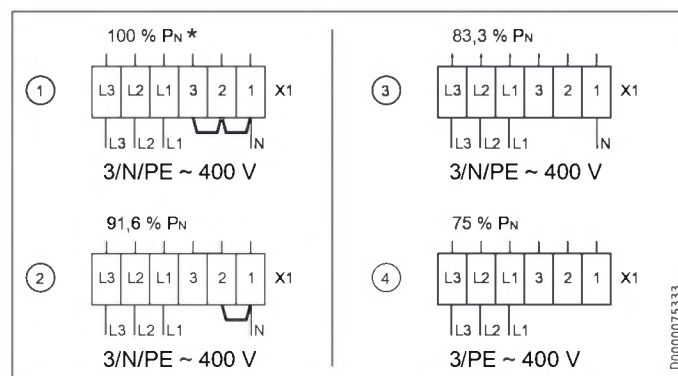
Provedení topného tělesa (topné těleso 8h)		8h	9h	10h
Jmenovitá doba nabíjení		8h	9h	10h
Možnosti připojení		①	②	③
Typy				
SHF 2000	kW	2,00	1,83	1,67
SHF 3000	kW	3,00	2,75	2,50
SHF 4000	kW	4,00	3,66	3,33
SHF 5000	kW	5,00	4,58	4,16
SHF 6000	kW	6,00	5,50	5,00
SHF 7000	kW	7,00	6,42	5,83



* Sériové zapojení

19.5 Snížení příkonu při zachování jmenovité doby nabíjení 8 hodin

Příkon topného tělesa (topné těleso 8 h)		①	②	③	④
Možnosti připojení		100 %	91,6 %	83,3 %	75 %
Připojovací kabely		100 %	90 %	80 %	70 %
Stupně nabití volitelné pomocí parametru P8		100 %	90 %	80 %	70 %



* Sériové zapojení

D0000075333

ČESKY

INSTALACE

Technické údaje

19.6 Údaje ke spotřebě energie

Údaje o výrobku odpovídají nařízením EU ke směrnici o ekodesignu výrobků v souvislosti se spotřebou energie (ErP).

Informace o výrobku týkající se elektrických topidel do jednotlivých místností podle nařízení (EU) 2015/1188

		SHF 2000	SHF 3000	SHF 4000	SHF 5000	SHF 6000	SHF 7000
		200175	200176	200177	200178	200179	200180
Výrobce		STIEBEL ELTRON	STIEBEL ELTRON	STIEBEL ELTRON	STIEBEL ELTRON	STIEBEL ELTRON	STIEBEL ELTRON
Tepelný výkon							
Jmenovitý tepelný výkon P_{nom}	kW	1,0	1,5	2,0	2,5	3,0	3,5
Minimální tepelný výkon (směrná hodnota) P_{min}	kW	0,0	0,0	0,0	0,0	0,0	0,0
Maximální trvalý tepelný výkon $P_{max,c}$	kW	1,3	2,3	3,0	3,5	4,3	4,9
Spotřeba pomocného proudu							
Při jmenovitém tepelném výkonu e_{lmax}	kW	0,000	0,000	0,000	0,000	0,000	0,000
Při minimálním tepelném výkonu e_{lmin}	kW	0,000	0,000	0,000	0,000	0,000	0,000
V pohotovostním stavu e_{sb}	kW	0,000	0,000	0,000	0,000	0,000	0,000
Typ regulace přívodu tepla							
Ruční regulace přívodu tepla s integrovaným termostatem		-	-	-	-	-	-
Ruční regulace přívodu tepla se zpětnou vazbou o teplotě místnosti a/nebo venkovní teplotě		-	-	-	-	-	-
Elektronická regulace přívodu tepla se zpětnou vazbou o teplotě místnosti a/nebo venkovní teplotě		x	x	x	x	x	x
Uvolňování tepla s podporou ventilátoru		x	x	x	x	x	x
Druh tepelného výkonu/kontroly teploty místnosti							
Jednostupňový tepelný výkon, žádná kontrola teploty místnosti		-	-	-	-	-	-
Dva nebo více ručně nastavitelných stupňů, bez kontroly teploty místnosti		-	-	-	-	-	-
Kontrola teploty místnosti s mechanickým termostatem		-	-	-	-	-	-
S elektronickou kontrolou teploty místnosti		-	-	-	-	-	-
Elektronická kontrola teploty místnosti a regulace denní doby		-	-	-	-	-	-
Elektronická kontrola teploty místnosti a regulace podle dnů v týdnu		x	x	x	x	x	x
Jiné možnosti regulace							
Kontrola teploty místnosti se zjištěním přítomnosti		-	-	-	-	-	-
Kontrola teploty místnosti se zjištěním otevřeného okna		x	x	x	x	x	x
S možností dálkového ovládní		-	-	-	-	-	-
S adaptivní regulací zahájení topení		x	x	x	x	x	x
S omezením doby provozu		-	-	-	-	-	-
Se snímačem s černou kuličkou		-	-	-	-	-	-

INSTALACE

Technické údaje

19.7 Tabulka údajů

		SHF 2000	SHF 3000	SHF 4000	SHF 5000	SHF 6000	SHF 7000
		200175	200176	200177	200178	200179	200180
Elektrotechnické údaje							
Připojovací výkon	W	2000	3000	4000	5000	6000	7000
Jmenovité napětí	V	~400	~400	~400	~400	~400	~400
Fáze		3/N/PE	3/N/PE	3/N/PE	3/N/PE	3/N/PE	3/N/PE
Frekvence	Hz	50/-	50/-	50/-	50/-	50/-	50/-
Jmenovité dohřívání	kWh	16	24	32	40	48	56
Elektrické přídavné topení	kW	0,35	0,5	0,8	1,0	1,2	1,5
Energetické údaje							
Koeficient ročního využití elektrického vytápění η_s	%	39,5	39,5	39,5	39,5	39,5	39,5
Rozměry							
Výška	mm	650	650	650	650	650	650
Šířka	mm	605	780	955	1130	1305	1480
Hloubka	mm	275	275	275	275	275	275
Hmotnosti							
Hmotnost	kg	32	40	48	56	64	72
Hmotnost (s kameny)	kg	118	169	220	271	322	373
Provedení							
Barva		Alpská bílá	Alpská bílá	Alpská bílá	Alpská bílá	Alpská bílá	Alpská bílá
Hodnoty							
4stupňová redukce stupně naplnění		100/90/80/70	100/90/80/70	100/90/80/70	100/90/80/70	100/90/80/70	100/90/80/70
Schopnost akumulace tepla	%	48	53	55	56	58	59
Provozní hluk	dB(A)	30	32	33	34	34	34
Obchodní atributy							
Počet sad cihel		6	9	12	15	18	21

ČESKY

Záruka

Pro přístroje nabyté mimo území Německa neplatí záruční podmínky poskytované našimi firmami v Německu. V zemích, ve kterých některá z našich dceřiných společností distribuuje naše výrobky, poskytuje záruku jenom tato dceřiná společnost. Takovou záruku lze poskytnout pouze tehdy, pokud dceřiná společnost vydala vlastní záruční podmínky. Jinak nelze záruku poskytnout.

Na přístroje zakoupené v zemích, ve kterých nejsou naše výrobky distribuovány žádnou z dceřiných společností, neposkytujeme žádnou záruku. Případné záruky závazně přislíbené dovozcem zůstávají proto nedotčené.

Životní prostředí a recyklace

Pomozte nám chránit naše životní prostředí. Materiály po použití zlikvidujte v souladu s platnými národními předpisy.

ŠPECIÁLNE POKYNY

OBSLUHA

1.	Všeobecné pokyny	101
1.1	Bezpečnostné pokyny	101
1.2	Iné označenia v tejto dokumentácii	102
1.3	Upozornenia na prístroji	102
1.4	Rozmerové jednotky	102
2.	Bezpečnosť	102
2.1	Použitie v súlade s určením	102
2.2	Všeobecné bezpečnostné pokyny	102
2.3	Certifikačné značky	103
3.	Popis zariadenia	103
4.	Obsluha	103
4.1	Ovládacia jednotka	103
4.2	Akumulácia tepla	104
4.3	Odovzdávanie tepla	104
5.	Nastavenia	104
5.1	Štandardná indikácia	104
5.2	Základné menu	105
5.3	Menu Konfigurácia	105
6.	Nastavenia pri prítomnom regulátore teploty v miestnosti namontovanom na stene	107
6.1	Štandardná indikácia	107
6.2	Základné menu	107
6.3	Menu Konfigurácia	107
7.	Čistenie, ošetrovanie a údržba	108
7.1	Čistenie sita so zosilnenými miestami	108
8.	Odstraňovanie problémov	108

INŠTALÁCIA

9.	Bezpečnosť	109
9.1	Všeobecné bezpečnostné pokyny	109
9.2	Predpisy, normy a ustanovenia	109
10.	Popis zariadenia	109
10.1	Spôsob činnosti	109
10.2	Rozsah dodávky	110
10.3	Príslušenstvo	110
11.	Prípravy	110
11.1	Miesto montáže	110
11.2	Minimálne vzdialenosti	110
12.	Montáž	110
12.1	Otvorenie zariadenia	110
12.2	Nastavenie regulácie nabíjania	111
12.3	Sieťové pripojenie / napájacie káble	112
12.4	Elektrické pripojenie	112
12.5	Variety montáže	112
12.6	Nasadenie akumulčných kameňov	113
12.7	Očistenie prístroja	113
12.8	Zatvorenie prístroja	114
13.	Nastavenia	114
13.1	Menu Konfigurácia	114
14.	Uvedenie do prevádzky	116
14.1	Kontrola pred uvedením do prevádzky	116
14.2	Prvé uvedenie do prevádzky	116

15.	Prestavba prístroja	116
16.	Odovzdanie	116
17.	Odstraňovanie porúch	117
17.1	Tabuľka porúch	117
17.2	Symboly typového štítku	118
18.	Údržba a čistenie	118
19.	Technické údaje	119
19.1	Rozmery a prípojky	119
19.2	Elektrická schéma zapojenia	120
19.3	Zníženie inštalovaného príkonu	121
19.4	Prispôsobenie výkonu (menovitá doba nabíjania)	121
19.5	Zníženie inštalovaného príkonu pri zachovaní menovitej doby nabíjania 8 hodín	121
19.6	Údaje k spotrebe energie	122
19.7	Tabuľka s údajmi	123

ZÁRUKA

ŽIVOTNÉ PROSTREDIE A RECYKLÁCIA

ŠPECIÁLNE POKYNY

- Starostlivo si uschovajte tento návod na obsluhu a inštaláciu, aby ste ho v prípade potreby mali k dispozícii.
- Deti do 3 rokov držte ďalej od prístroja, ak nad nimi nie je zabezpečený neustály dohľad.
- Prístroj môžu zapínať a vypínať aj deti od 3 do 7 rokov, ak sa na ne dohliada, alebo ak sú oboznámené s bezpečným používaním prístroja a sú si vedomé nebezpečenstiev, ktoré z toho plynú. Podmienkou pri tom je, aby bol prístroj namontovaný tak, ako je popísané. Prístroj nesmú regulovať deti vo veku 3 až 7 rokov.
- Deti od 8 rokov, ako aj osoby so zníženými fyzickými, sensorickými či mentálnymi schopnosťami alebo osoby s nedostatočnými skúsenosťami a vedomosťami môžu prístroj používať pod dozorom, prípadne ak boli o bezpečnom používaní prístroja poučené a porozumejú z toho vyplývajúcim nebezpečenstvám.
- Deti sa so zariadením nesmú hrať. Čistenie a používateľskú údržbu nesmú vykonávať deti bez dozoru.
- Jednotlivé časti prístroja sa môžu zahrievať na vysokú teplotu a spôsobiť popáleniny. V prítomnosti detí a osôb odkázaných na pomoc druhých je treba postupovať obzvlášť opatrne.
- Pri prvom nabíjaní môže vznikať zápach. Postarajte sa o dostatočnú ventiláciu miestnosti.
- Zachovávajte minimálne vzdialenosti od susediacich povrchov predmetov alebo iných horľavých látok (pozri kapitolu „Inštalácia / Minimálne vzdialenosti“).
- Prístroj nezakrývajte, predídete tak jeho prehriatiu.
- Nepokladajte žiadne predmety na prístroj alebo v jeho bezprostrednej blízkosti. Neopierajte žiadne predmety o prístroj.
- Neumiestňujte prístroj bezprostredne pod stenovú zásuvku.

- Dbajte na hodnoty menovitého nabíjania v kapitole „Technické údaje / Tabuľka s údajmi“.
- Umiestnite prístroj tak, aby sa spínačích a regulačných zariadení nemohla dotýkať osoba nachádzajúca sa vo vani alebo pod sprchou.
- Pripojenie k elektrickej sieti je dovolené len v podobe trvalej prípojky. Zariadenie sa musí dať odpojiť od siete všetkými pólmi s minimálnou odpojovacou vzdialenosťou 3 mm.
- Upevnite prístroj tak, ako je popísané v kapitole „Inštalácia / Montáž“.

OBSLUHA

1. Všeobecné pokyny

Kapitoly Špeciálne pokyny a Obsluha sú zamerané na používateľa zariadenia a odborného montážnika.

Kapitola „Inštalácia“ je určená odbornému montážnikovi.



Upozornenie

Pred použitím si dôkladne prečítajte tento návod a uschovajte ho.

Tento návod prípadne odovzdajte nasledujúcemu používateľovi.

1.1 Bezpečnostné pokyny

1.1.1 Štruktúra bezpečnostných pokynov



SIGNÁLNE SLOVO Druh nebezpečenstva

Tu sú uvedené možné následky pri nerešpektovaní bezpečnostných pokynov.

► Tu sú uvedené opatrenia na odvrátenie nebezpečenstva.

1.1.2 Symboly, druh nebezpečenstva

Symbol	Druh nebezpečenstva
	Poranenie
	Zásah elektrickým prúdom
	Popálenie (popálenie, obarenie)

1.1.3 Signálne slová

SIGNÁLNE SLOVO	Význam
NEBEZPEČEN-STVO	Pokyny, ktorých nedodržovanie má za následok ťažké poranenia alebo smrť.
VÝSTRAHA	Pokyny, ktorých nerešpektovanie môže mať za následok ťažké poranenia alebo smrť.
POZOR	Pokyny, ktorých nedodržovanie môže viesť k stredne ťažkým alebo ľahkým poraneniám.

1.2 Iné označenia v tejto dokumentácii



Upozornenie

Všeobecné pokyny sú označené vedľa uvedeným symbolom.

- Pozorne si prečítajte texty upozornení.

Symbol	Význam
	Materiálne škody (škody na zariadení, následné škody, škody na životnom prostredí)
	Likvidácia zariadenia

- Tento symbol vám signalizuje, že musíte niečo urobiť. Potrebne postupy sú popísané krok za krokom.

1.3 Upozornenia na prístroji

Symbol	Význam
	Prístroj nezakrývajte

1.4 Rozmerové jednotky



Upozornenie

Ak nie je uvedené inak, všetky rozmery sú v milimetroch.

2. Bezpečnosť

2.1 Použitie v súlade s určením

Prístroj slúži na ohrev obytných miestností.

Zariadenie je určené na používanie v domácom prostredí. Bezpečne ho môžu používať aj osoby, ktoré neboli o používaní poučené. Zariadenie sa môže používať aj v inom ako domácom prostredí, napr. v malých prevádzkach, ak sa používa rovnakým spôsobom.

Iné použitie alebo použitie nad určený rámec sa pokladá za použitie v rozpore s určením. K použitiu v súlade s určením patrí aj dodržiavanie tohto návodu, ako aj návodov pre použité príslušenstvo.

2.2 Všeobecné bezpečnostné pokyny

Dodržiavajte nasledujúce bezpečnostné pokyny a predpisy.

- Elektrickú inštaláciu a inštaláciu prístroja smú vykonávať iba montážnici alebo naši technici zákazníckeho servisupodľa tohto návodu.

- Odborne vyškolený montážnik je pri inštalácii a prvom uvedení do prevádzky zodpovedný za dodržiavanie platných predpisov.
- Prevádzkujte prístroj iba v kompletne inštalovanom stave a so všetkými bezpečnostnými zariadeniami.



VÝSTRAHA Poranenie

- Deti do 3 rokov držte ďalej od prístroja, ak nad nimi nie je zabezpečený neustály dohľad.
- Prístroj môžu zapínať a vypínať aj deti od 3 do 7 rokov, ak sa na ne dohliada, alebo ak sú oboznámené s bezpečným používaním prístroja a sú si vedomé nebezpečenstiev, ktoré z toho plynú. Podmienkou pri tom je, aby bol prístroj namontovaný tak, ako je popísané. Prístroj nesmú regulovať deti vo veku 3 až 7 rokov.
- Deti od 8 rokov, ako aj osoby so zníženými fyzickými, senzorickými či mentálnymi schopnosťami alebo osoby s nedostatočnými skúsenosťami a vedomosťami môžu prístroj používať pod dozorom, prípadne ak boli o bezpečnom používaní prístroja poučené a porozumeli z toho vyplývajúcim nebezpečenstvám.
- Deti sa so zariadením nesmú hrať. Čistenie a používateľskú údržbu nesmú vykonávať deti bez dozoru.



VÝSTRAHA Popálenie

Prístroj neprevádzkujte ...

- keď sa nedosahujú minimálne vzdialenosti k susediacim povrchom predmetov alebo iným horľavým materiálom;
- v miestnostiach ohrozených výbuchom alebo požiarom chemikálií, prachu, plynov alebo výparov. Pred spustením miestnosť dostatočne vyvetrajte.
- v bezprostrednej blízkosti potrubí alebo nádob, ktoré vedú alebo obsahujú horľavé látky alebo látky ohrozujúce výbuchom;
- keď sa v miestnosti inštalácie vykonávajú práce ako pokladanie, brúsenie, zapečatenie.
- keď je poškodený konštrukčný diel prístroja alebo je prítomná chybná funkcia.



VÝSTRAHA Popálenie

- Nekladte horľavé, zápalné ani tepelne izolujúce predmety či látky na prístroj alebo do jeho bezprostrednej blízkosti. Neopierajte žiadne predmety o prístroj. Týmto môže dochádzať k hromadeniu tepla, ktoré vedie k zvýšenej teplote povrchu krytu a predmetu.
- Dbajte na to, aby nebol zablokovaný vstup a výstup vzduchu.
- Medzi prístroj a stenu nestrkajte žiadne predmety.



POZOR Popálenie

Povrch krytu prístroja a vystupujúci vzduch sa pri prevádzke môžu veľmi rozhorúčiť (nad 80 °C) a spôsobiť popáleniny. V prítomnosti detí a osôb odkázaných na pomoc druhých je treba postupovať obzvlášť opatrne.



VÝSTRAHA Prehriatie

Prístroj nezakrývajte, predídete tak jeho prehriatiu.

2.3 Certifikačné značky

Pozri typový štítok na zariadení. Typový štítok sa nachádza na ľavej bočnej stene prístroja.

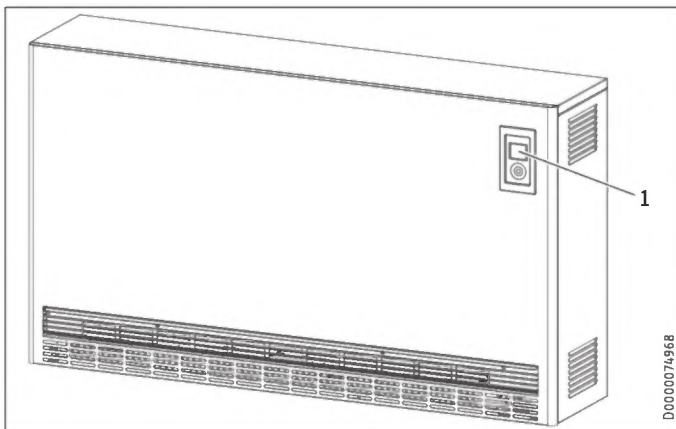
3. Popis zariadenia

Pomocou tohto prístroja sa ukladá elektricky vyrobené teplo. Elektrické teplo sa vyrába počas dňb mimo špičky cenovo priaznivým nízkotarífným prúdom.

Doby mimo špičky závisia od príslušného dodávateľa elektrickej energie (DEE). Doby mimo špičky sú prevažne v nočných hodinách.

Uložené teplo sa odovzdáva do miestnosti podľa želanej teploty v miestnosti ako teplý vzduch cez ventilátor a nepatrne tiež cez povrch prístroja.

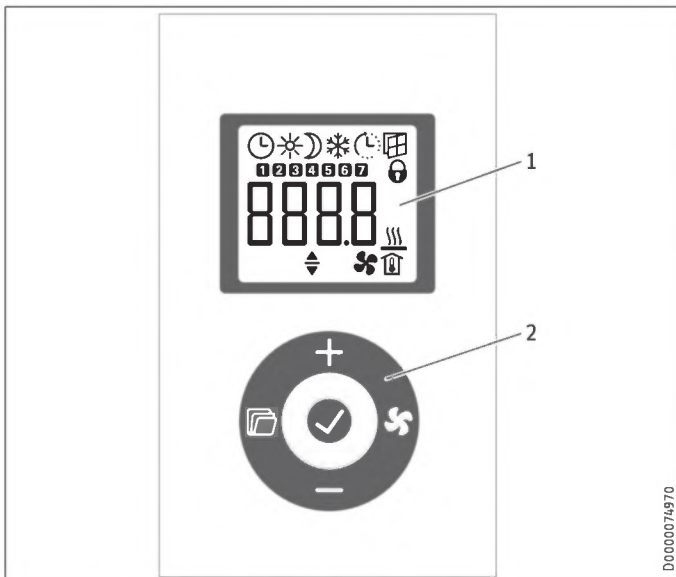
4. Obsluha



1 Ovládacia jednotka

4.1 Ovládacia jednotka

Obsluha sa vykonáva prostredníctvom obslužnej jednotky, ktorá sa nachádza hore v prednej časti prístroja.



1 Indikácia
2 Ovládací panel

4.1.1 Ovládací panel

Tlačidlo	Pomenovanie	Popis
	Tlačidlo „Ventilátor“	Zapnutie a vypnutie uvoľnenia ventilátora
	Tlačidlo „OK“	Výber; Potvrdenie nastavení
	Tlačidlo „Menu“	Vyvolanie a opustenie menu
	Tlačidlo „+“	Vyvolanie položiek menu; Zmena nastavení
	Tlačidlo „-“	Vyvolanie položiek menu; Zmena nastavení

4.1.2 Indikácia

Ak do 20 sekúnd nedôjde k obsluhu prístroja, podsvietenie sa vypne. Stlačením ľubovoľného tlačidla sa podsvietenie znova zapne.




Symbols

Upozornenie
Keď sa odovzdávanie tepla (vybíjanie) reguluje prostredníctvom regulátora teploty v miestnosti namontovaného na stenu, nezobrazujú sa všetky symboly.

Symbol	Popis
	Indikácia času: Indikácia aktuálneho času alebo naprogramovaného času začatia Režim časovača: Prístroj vykuruje podľa aktivovaného časového programu.
	Komfortný režim: Prístroj udržiava nastavenú komfortnú teplotu. Štandardná hodnota: 21,0 °C. Toto nastavenie používajte na komfortné teploty v miestnosti počas neprítomnosti.
	Útlmový režim: Prístroj udržiava nastavenú znižovaciu teplotu. Štandardná hodnota: 18,0 °C. Toto nastavenie používajte napríklad v noci alebo počas neprítomnosti na niekoľko hodín.
	Adaptívne spustenie: V režime časovača sa spínacie časy vykurovacieho prístroja prispôbia tak, aby sa príslušná nastavená požadovaná teplota v miestnosti dosiahla už v naprogramovaný čas začatia. Predpoklad: Funkcia „Adaptívne spustenie“ je zapnutá (pozri kapitolu „Nastavenia / Základné menu“).
	Rozpoznanie otvorených okien: Aby sa zabránilo zbytočnej spotrebe energie počas vetrania, prístroj pri otvorenom okne automaticky na jednu hodinu zníži nastavenú požadovanú teplotu miestnosti na 7,0 °C. Bliká symbol „Rozpoznanie otvorených okien“. Rozpoznanie otvorených okien môžete po vetraní manuálne ukončiť tlačidlom „+“ alebo „OK“. Prístroj znova vykúri miestnosť na nastavenú požadovanú teplotu v miestnosti. Predpoklad: Rozpoznanie otvorených okien je zapnuté (pozri kapitolu „Nastavenia / Základné menu“).
	Blokovanie obsluhy: Ak chcete ovládací panel zablokovať alebo odblokovať, 5 sekúnd držte súčasne stlačené tlačidlá „+“ a „-“.
	Aktivované núdzové prídavné vykurovacie teleso (príslušenstvo): Keď už na vykurovanie miestnosti nestačí množstvo tepla zásobníka, doplnujúco vykuruje núdzové prídavné vykurovacie teleso.
	Zobrazenie teploty v miestnosti

OBSLUHA

Nastavenia

Symbol	Popis
	Uvoľnenie ventilátora aktívne: Keď teplota v miestnosti klesne pod nastavenú požadovanú teplotu miestnosti, zapína sa ventilátor a odovzdáva zohriaty vzduch do miestnosti, až kým nie je dosiahnutá nastavená teplota.
	Upravitel'né parametre: Zobrazené parametre sa dajú zmeniť tlačidlami „+“ a „-“.
	Dni v týždni: 1 = pondelok, 2 = utorok ... 7 = nedeľa

4.2 Akumulácia tepla

Prostredníctvom regulácie nabíjania sa určuje stupeň akumulácie tepla (nabíjanie).

To, ktoré nastavenia na regulácii nabíjania musíte vykonať, je závislé od toho, či používate prístroj s centrálnym poveternostne kompenzovaným riadením nabíjania alebo bez neho.

Poveternostne kompenzované riadenie nabíjania sa nachádza v spínacej skrini.

4.2.1 Prístroje s poveternostne kompenzovaným riadením nabíjania

- ▶ Vypolajte pomocou tlačidla „Menu“ základné menu a stlačte tlačidlo „OK“.
- ▶ Len čo sa objaví symbol „Upravitel'né parametre“, nastavte pomocou tlačidiel „+“ a „-“ zoslabovač stupňa nabíjania na 100 %.



Upozornenie

Keď sa odovzdávanie tepla (vybíjanie) reguluje prostredníctvom regulátora teploty v miestnosti namontovaného na stene, nastavte v štandardnej indikácii zoslabovač stupňa nabíjania pomocou tlačidiel „+“ a „-“.

Poveternostne kompenzované riadenie nabíjania sa stará o správne nabíjanie.



Upozornenie

Dbajte pri tom na návod riadenia nabíjania alebo skupinového riadiaceho prístroja.

Na účely rôznej regulácie jednotlivých prístrojov môžete prostredníctvom zoslabovača stupňa nabíjania dodatočne uskutočniť manuálne prispôsobenie nabíjacieho množstva.

Keď zoslabovač stupňa nabíjania nastavíte na 0 %, neuskutočňuje sa žiadne nabíjanie.

4.2.2 Prístroje bez poveternostne kompenzovaného riadenia nabíjania

Nabíjacie množstvo sa nastavuje prostredníctvom zoslabovača stupňa nabitia.

- ▶ Vypolajte pomocou tlačidla „Menu“ základné menu a stlačte tlačidlo „OK“.
- ▶ Len čo sa objaví symbol „Upravitel'né parametre“, pomocou tlačidiel „+“ a „-“ nastavte zoslabovač stupňa nabitia.



Upozornenie

Keď sa odovzdávanie tepla (vybíjanie) reguluje prostredníctvom regulátora teploty v miestnosti namontovaného na stene, nastavte v štandardnej indikácii zoslabovač stupňa nabíjania pomocou tlačidiel „+“ a „-“.

Pri tomto platia nasledujúce smerodajné hodnoty:

hodnota	Nabíjacie množstvo
0 %	Žiadne nabíjanie (v lete)
30 %	cca 1/3 plného nabitia pre prechodné obdobia, ako je jar alebo jeseň
70 %	cca 2/3 plného nabitia pre mierne zimné dni
100 %	Plné nabitie pre studené zimné dni

Po krátkom oboznámení sa budete disponovať potrebnými skúsenosťami pre nájdenie príslušného správneho nastavenia.

4.3 Odovzdávanie tepla

Odovzdávanie tepla (vybíjanie) sa reguluje prostredníctvom regulátora teploty v miestnosti integrovaného v prístroji alebo 2-bodového regulátora teploty v miestnosti namontovaného na stene (pozri kapitolu „Príslušenstvo“).

Regulátor teploty v miestnosti automaticky reguluje odovzdávanie tepla cez ventilátor tak, aby sa udržiavala nastavená požadovaná teplota miestnosti. Aby ventilátor mohol bežať, musí byť zapnuté uvoľnenie ventilátora.



Upozornenie

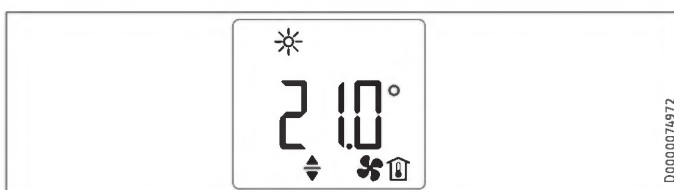
Pri viacdňovej neprítomnosti počas periódy vykurovania je zmysluplné nastaviť zníženú teplotu v miestnosti napr. na 10 °C. Týmto nastavením zabránite tomu, aby miestnosť príliš silno vychladla (protimrazová ochrana).

4.3.1 Zapnutie a vypnutie uvoľnenia ventilátora

- ▶ Ak chcete zapnúť a vypnúť uvoľnenie ventilátora, stlačte tlačidlo „Ventilátor“. Pri zapnutom uvoľnení ventilátora sa na indikácii zobrazuje „symbol ventilátora“.

5. Nastavenia

5.1 Štandardná indikácia



Štandardná indikácia sa zobrazuje trvalo. Keď sa nachádzate v menu a dlhšie ako 20 sekúnd neobsľuhujete prístroj, ten sa automaticky prepne do štandardnej indikácie.









V štandardnej indikácii vidíte aktuálnu požadovanú teplotu v miestnosti a tiež symbol „Upravitel'né parametre“. Pomocou tlačidiel „+“ a „-“ môžete zmeniť požadovanú teplotu v miestnosti.

Ak požadovaná teplota v miestnosti zodpovedá jednej z nastavených hodnôt pre komfortnú alebo znižovaciu teplotu, na paneli s menu sa objaví symbol príslušného prevádzkového režimu (komfortný režim, útlmový režim).

Požadovaná teplota v miestnosti sa dá manuálne zmeniť aj v režime časovača. Zmenená požadovaná teplota v miestnosti zostane zachovaná až do ďalšej naprogramovanej spínacej doby.

5.2 Základné menu

Ak sa chcete dostať do základného menu, krátko stlačte tlačidlo „Menu“. Teraz môžete vyvolať nasledujúce položky menu:

Indikácia	Popis
	Nastavenie zoslabovača stupňa nabíjania Pre dni, počas ktorých je tepelná potreba nízka, môžete uskutočniť manuálne prispôsobenie nabíjacieho množstva v krokoch po 10 %.
	Nastavenie dňa v týždni a času
	Nastavenie komfortnej teploty Komfortná teplota musí byť nastavená minimálne o 0,5 °C vyššie ako znižovacia teplota.
	Nastavenie znižovacej teploty Znižovacia teplota musí byť nastavená minimálne o 0,5 °C nižšie ako komfortná teplota.
	Zapnutie a vypnutie funkcie „Rozpoznanie otvorených okien“
	Výber alebo deaktivácia (off) časového programu (Pro1, Pro2, Pro3)
	Zapnutie a vypnutie funkcie „Adaptívne spustenie“
	Zapnutie a vypnutie núdzového prídavného vykurovacieho telesa (príslušenstvo)

Ak chcete zmeniť nastavenie položky menu, tlačidlami „+“ a „-“ vyvolajte príslušnú položku menu. Stlačte tlačidlo „OK“.

Hneď ako sa objaví symbol „Upraviteľné parametre“, môžete tlačidlami „+“ a „-“ zmeniť nastavenie položky menu. Ak chcete uložiť nastavenia, stlačte tlačidlo „OK“.

Ak chcete opustiť základné menu, stlačte tlačidlo „Menu“. Zobrazí sa štandardná indikácia.

5.3 Menu Konfigurácia

Indikácia	Popis
I1-I2	Skutočné hodnoty
Pro1-Pro3	Časové programy
P1-P5	Parameter
CodE	Prístup montážnika

V menu Konfigurácia môžete vyvolať skutočné hodnoty, naprogramovať časové programy pre prevádzku časovača a nastaviť parametre.

Ak sa chcete dostať do menu Konfigurácia, držte stlačené tlačidlo „Menu“. Po cca 3 sekundách sa zobrazí skutočná hodnota I1.

Tlačidlami „+“ a „-“ môžete prepínať medzi jednotlivými skutočnými hodnotami, časovými programami a parametrami.

Ak chcete opustiť menu Konfigurácia, stlačte tlačidlo „Menu“. Zobrazí sa štandardná indikácia.

5.3.1 Skutočné hodnoty

Môžete vyvolať nasledujúce skutočné hodnoty:

Indikácia	Popis	Jednotka
I1	Skutočná hodnota teploty v miestnosti	[°C] [°F]
I2	Relatívna doba ohrevu (Pomocou parametra P5 môžete vynulovať počítadlo.)	[h]



Upozornenie

Počítadlo pre relatívnu dobu ohrevu (I2) počíta čas nabíjania v celých prevádzkových hodinách. Keď bol prístroj nabíjaný celú hodinu, a to aj po častiach, počítadlo narastá.

5.3.2 Časové programy

Na použitie prístroja v režime časovača máte k dispozícii tri časové programy. Časové programy Pro1 a Pro2 sú predkonfigurované z výroby. Časový program Pro3 si môžete nastaviť podľa vašich individuálnych potrieb.

Indikácia	Popis
Pro1	Časový program „denne“ - Opakovanie: pondelok až nedeľa
Pro2	Časový program „v pracovné dni“ - Opakovanie: pondelok až piatok
Pro3	Časový program „definované používateľom“ - voľne konfigurovateľných až 14 komfortných fáz



Upozornenie

Ak chcete použiť režim časovača, v základnom menu musíte vybrať požadovaný časový program (pozri kapitolu „Nastavenia / Základné menu“).



Upozornenie

Pri nastavovaní časových programov dbajte na to, aby bol správne nastavený deň v týždni a čas.



Upozornenie

Pre všetky časové programy (Pro1, Pro2, Pro3) platí: Ak je čas ukončenia po 23:59, tak sa čas ukončenia automaticky preloží na nasledujúci deň v týždni. Komfortná fáza sa udrží cez polnoc a skončí v nasledujúci deň v týždni v nastavenom čase ukončenia.

Časové programy Pro1 a Pro2

S časovými programami Pro1 a Pro2 môžete stanoviť čas začatia a čas ukončenia komfortného režimu. V tomto časovom intervale prístroj vykúri miestnosť na nastavenú komfortnú teplotu. Mimo tohto stanoveného časového intervalu pracuje prístroj v útlmovom režime. Z toho vyplýva komfortná fáza a fáza zníženia, ktoré sa opakujú denne (Pro1), resp. v každý pracovný deň (Pro2).

Z výroby sú tieto fázy nakonfigurované takto:

- 08:00 – 22:00: Komfortný režim
- 22:00 – 8:00: útlmový režim



Upozornenie

Pri aktivovanom časovom programe Pro2 pracuje prístroj cez víkend výhradne v útlmovom režime.

Ak si chcete časové programy Pro1 a Pro2 prispôbiť podľa vašich potrieb, postupujte nasledovne:

- ▶ V menu Konfigurácia zvolte tlačidlami „+“ a „-“ požadovaný časový program.
- ▶ Stlačte tlačidlo „OK“.
Zobrazí sa čas začatia pre komfortnú prevádzku.
- ▶ Nastavte požadovaný čas začatia tlačidlami „+“ a „-“.
- ▶ Stlačte tlačidlo „OK“.
Zobrazí sa čas ukončenia pre komfortnú prevádzku.
- ▶ Nastavte požadovaný čas ukončenia tlačidlami „+“ a „-“.
- ▶ Pre uloženie stlačte tlačidlo „OK“.

Časový program Pro3

S časovým programom Pro3 môžete určiť až 14 samostatných komfortných fáz, ktoré sa opakujú týždenne.

Ak chcete v časovom programe Pro3 nakonfigurovať komfortnú fázu, postupujte nasledovne:

- ▶ V menu Konfigurácia vyvolajte tlačidlami „+“ a „-“ časový program Pro3.
- ▶ Stlačte tlačidlo „OK“.
Indikácia ukazuje „3---“.
- ▶ Stlačte tlačidlo „OK“.
Zobrazí sa deň v týždni, resp. skupina dní v týždni.
- ▶ Tlačidlami „+“ a „-“ nastavte požadovaný deň v týždni, resp. požadovanú skupinu dní v týždni.
- ▶ Stlačte tlačidlo „OK“.
Zobrazí sa čas začatia pre komfortnú prevádzku.
- ▶ Nastavte požadovaný čas začatia tlačidlami „+“ a „-“.
- ▶ Stlačte tlačidlo „OK“.
Zobrazí sa čas ukončenia pre komfortnú prevádzku.
- ▶ Nastavte požadovaný čas ukončenia tlačidlami „+“ a „-“.

- ▶ Stlačte tlačidlo „OK“.
Komfortná fáza „3-01“ je nakonfigurovaná.
- ▶ Ak chcete nakonfigurovať ďalšiu komfortnú fázu, v časovom programe Pro3 vyberte tlačidlami „+“ a „-“ indikáciu „3---“. Postupujte podľa popisu.



Upozornenie

Ak chcete resetovať nastavené komfortné fázy, aktivujte parameter P4.

- ▶ Majte na pamäti, že aktiváciou parametra P4 sa všetky časové programy (Pro1, Pro2, Pro3) resetujú na stav pri vyskladnení.

5.3.3 Parameter

Vyvolať môžete nasledujúce parametre:

Indikácia	Popis	Možnosti
P1	Odchýlka teploty v miestnosti	±3 °C ±5 °F
P2	Formát času	12 h 24 h
P3	Jednotka zobrazenia teploty	°C °F
P4	Vynulovať časové programy (prevádzka časovača).	on off
P5	Vynulovať relatívnu dobu ohrevu	on off

Ak chcete zmeniť hodnotu parametra, tlačidlami „+“ a „-“ vyvolajte príslušný parameter. Stlačte tlačidlo „OK“.

Hneď ako sa objaví symbol „Upravitelné parametre“, môžete tlačidlami „+“ a „-“ zmeniť hodnotu parametra. Ak chcete uložiť nastavenú hodnotu, stlačte tlačidlo „OK“.

P1: Odchýlka teploty v miestnosti

Nerovnomerné rozdelenie teploty v miestnosti môže viesť k rozdielu medzi zobrazenou skutočnou teplotou I1 a vami nameranou teplotou v miestnosti. Na vyrovnanie rozdielu môžete prostredníctvom parametra P1 nastaviť odchýlku teploty v miestnosti ±3 °C.

Príklad: Prístroj ukazuje I1 = 21,0 °C. Vami nameraná teplota v miestnosti je 20,0 °C. Rozdiel predstavuje 1,0 °C.

- ▶ Na vyrovnanie rozdielu nastavte odchýlku P1 = -1,0.

P2: Formát času

Prostredníctvom parametra P2 môžete určiť, či sa čas zobrazí v 12-hodinovom alebo 24-hodinovom formáte.

P3: Jednotka zobrazenia teploty

Prostredníctvom parametra P3 môžete určiť, či sa teplota v miestnosti zobrazí v stupňoch Celzia [°C] alebo Fahrenheita [°F].

P4: Vynulovanie časových programov

Aktiváciou parametra P4 nastavíte časové programy späť na stav pri vyskladnení.

P5: Vynulovať relatívnu dobu ohrevu

Aktiváciou parametra P5 vynulujete počítadlo pre relatívnu dobu ohrevu (I2).

5.3.4 Prístup montážnika

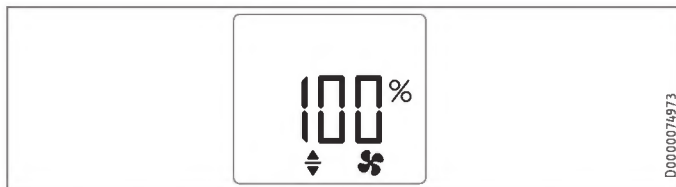
Indikácia	Popis
CodE	Prístup montážnika

Upozornenie
Niektoré položky menu sú chránené kódom a ich náhľad a nastavenie sú možné iba montážnikovi.

6. Nastavenia pri prítomnom regulátore teploty v miestnosti namontovanom na stene

Upozornenie
Keď regulujete odovzdávanie tepla (vybíjanie) cez regulátor teploty v miestnosti namontovaný na stene, máte k dispozícii na prístroji iba veľmi obmedzené možnosti nastavenia.

6.1 Štandardná indikácia



Štandardná indikácia sa zobrazuje trvalo. Keď sa nachádzate v menu a dlhšie ako 20 sekúnd neobsluhujete prístroj, ten sa automaticky prepne do štandardnej indikácie.

V štandardnej indikácii vidíte aktuálne nastavenie zoslabovača stupňa nabitia, ako aj symbol „Upraviteľné parametre“. Prostredníctvom tlačidiel „+“ a „-“ môžete pre dni, počas ktorých je prítomná nízka tepelná potreba, uskutočniť manuálne prispôsobenie nabíjacieho množstva v krokoch po 10 %.

6.2 Základné menu

Upozornenie
Základné menu môžete vyvolať iba vtedy, keď je váš prístroj vybavený núdzovým prídavným vykurovacím telesom (príslušenstvo).

Ak sa chcete dostať do základného menu, krátko stlačte tlačidlo „Menu“.

Indikácia	Popis
	Zapnutie a vypnutie núdzového prídavného vykurovacieho telesa (príslušenstvo) Aj pri regulátore teploty v miestnosti so spínačom núdzového prídavného vykurovacieho telesa namontovanom na stene musí byť núdzové prídavné vykurovacie teleso zapnuté v základnom menu.

Ak by ste chceli zmeniť nastavenie položky menu, stlačte tlačidlo „OK“.

Hneď ako sa objaví symbol „Upraviteľné parametre“, môžete tlačidlami „+“ a „-“ zmeniť nastavenie položky menu. Ak chcete uložiť nastavenie, stlačte tlačidlo „OK“.

Ak chcete opustiť základné menu, stlačte tlačidlo „Menu“. Zobrazí sa štandardná indikácia.

6.3 Menu Konfigurácia

Indikácia	Popis
I2	Skutočná hodnota
P5	Parameter
CodE	Prístup montážnika

Ak sa chcete dostať do menu Konfigurácia, držte stlačené tlačidlo „Menu“. Po cca 3 sekundách sa zobrazí skutočná hodnota I2.

Pomocou tlačidiel „+“ a „-“ môžete prepínať medzi skutočnou hodnotou a parametrom.

Ak chcete opustiť menu Konfigurácia, stlačte tlačidlo „Menu“. Zobrazí sa štandardná indikácia.

6.3.1 Skutočná hodnota

Indikácia	Popis	Jednotka
I2	Relatívna doba ohrevu (Pomocou parametra P5 môžete vynulovať počítadlo.)	[h]

Upozornenie
Počítadlo pre relatívnu dobu ohrevu (I2) počíta čas nabíjania v celých prevádzkových hodinách. Keď bol prístroj nabíjaný celú hodinu, a to aj po častiach, počítadlo narastá.

6.3.2 Parameter

Indikácia	Popis	Možnosti
P5	Resetovanie relatívnej doby ohrevu Aktiváciou parametra resetujete počítadlo pre relatívnu dobu ohrevu (I2).	on off

Ak by ste chceli zmeniť nastavenie parametra, stlačte tlačidlo „OK“.

Hneď ako sa objaví symbol „Upraviteľné parametre“, môžete tlačidlami „+“ a „-“ zmeniť nastavenie parametra. Ak chcete uložiť nastavenie, stlačte tlačidlo „OK“.

6.3.3 Prístup montážnika

Indikácia	Popis
CodE	Prístup montážnika

Upozornenie
Niektoré položky menu sú chránené kódom a ich náhľad a nastavenie sú možné iba montážnikovi.

7. Čistenie, ošetrovanie a údržba



Materiálne škody

- Do vetracích štrbín nestriekajte žiadny čistiaci sprej.
- Dbajte na to, aby do prístroja nevnikla vlhkosť.

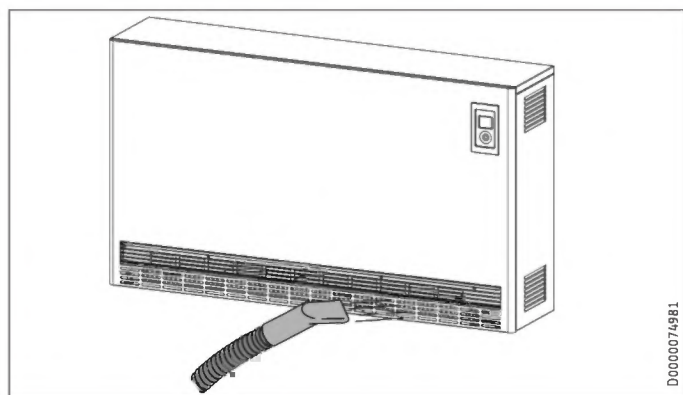
- Ak by sa na kryte prístroja objavili mierne zhnednutia, tieto utrite vlhkou handrou.
- Prístroj čistite vo vychladnutom stave bežnými ošetrovacími prostriedkami. Vyhnite sa ošetrovacím prostriedkom s obsahom abrazívnych látok a leptavým ošetrovacím prostriedkom.

7.1 Čistenie sita so zosilnenými miestami



Upozornenie

Pravidelne čistite sito so zosilnenými miestami, ktoré sa nachádza za vstupom vzduchu. Týmto zaručíte bezporuchové vybijanie prístroja. Pri upchanom site so zosilnenými miestami vypnite ventilátor.



- Vysávačom očistite sito so zosilnenými miestami, ktoré sa nachádza za vstupom vzduchu.

8. Odstraňovanie problémov

Problém	Príčina	Odstánenie
Prístroj sa nezohrieva.	Nebolo nastavené žiadne alebo príliš nízke nabitie. Je nastavená príliš nízka teplota na prístroji. Uvoľnenie ventilátora je vypnuté. Chýbajúci zdroj napätia.	Nastavte vyššie nabitie. Skontrolujte nastavenú teplotu v miestnosti. Prípadne ju doregulujte. Zapnite uvoľnenie ventilátora. Skontrolujte poistku a ochranný vypínač domovej inštalácie.
Miestnosť nie je dostatočne vyhriata, hoci je prístroj horúci.	Prehriatie. Tepelná bezpečnostná poistka obmedzí vykurovací výkon. Tepelná potreba miestnosti je vyššia ako výkon prístroja.	Odstráňte príčinu (nečistoty alebo prekážky na vstupe alebo výstupe vzduchu). Dodržte minimálne vzdialenosti! Odstráňte tepelné straty (Zatvorte okná a dvere. Minimalizujte dlhodobé vetranie.)
Prístroj má aj pri miernom počasí príliš vysoké odovzdávanie tepla.	Nastavenie na riadení nabíjania a/alebo regulátore nabíjania je nesprávne.	Prispôbte nastavenia.
Miestnosť je príliš vyhriata.	Teplota na prístroji je nastavená príliš vysoko.	Skontrolujte nastavenú teplotu v miestnosti. Prípadne ju doregulujte.
Prístroj sa nevyprázdňuje.	Sito so zosilnenými miestami je upchané.	Pozri kapitolu „Čistenie, ošetrovanie a údržba“.
Rozpoznávanie otvorených okien nereaguje.	Prístroj nerozpoznáva výrazný pokles teploty spôsobený vetraním. (Predpokladom pre rozpoznanie otvorených okien je predtým stabilná teplota v miestnosti.)	Po vykonaní nastavení na prístroji chvíľu počkajte, kým sa teplota v miestnosti úplne stabilizuje. Minimalizujte prekážky pre výmenu vzduchu medzi prístrojom a vzduchom v miestnosti. Zablokujte ventilátor na dobu trvania vetrania.
Funkcia „Adaptívne spustenie“ nepracuje podľa požiadaviek.	Rozpoznávanie otvorených okien nie je aktívované. Funkcia sa prejavuje iba v režime časovača. Teplota v miestnosti silno kolíše, resp. proces učenia prístroja nie je dokončený. Funkcia „Adaptívne spustenie“ nie je aktivovaná.	Zapnite rozpoznávanie otvorených okien v základnom menu. Použite režim časovača na optimalizovaný komfort vykurovania. Počkajte niekoľko dní, kým sa správanie stabilizuje. Zapnite funkciu „Adaptívne spustenie“ v základnom menu.
Indikácia ukazuje „E1“, „E2“ alebo „E3“.	Rozpoznala sa vnútorná chyba.	Informujte montážnika.



Upozornenie

Zmeny alebo odstránenia na riadení nabíjania sú pozorovateľné až po opätovnom nabíjaní.

Ak nemôžete príčinu odstrániť, zavolajte montážnika. Kvôli lepšej a rýchlejšej pomoci mu uveďte číslo z typového štítku (000000-0000-000000).

INŠTALÁCIA

9. Bezpečnosť

Inštaláciu, uvedenie do prevádzky ako aj údržbu a opravu zariadenia smie vykonávať iba odborný montážnik.

9.1 Všeobecné bezpečnostné pokyny

Bezchybnú funkciu a prevádzkovú bezpečnosť zaručujeme len vtedy, ak sa používa originálne príslušenstvo a originálne náhradné diely, ktoré sú pre prístroj určené.

9.2 Predpisy, normy a ustanovenia



VÝSTRAHA Zásah elektrickým prúdom
Všetky práce na elektrickom pripojení a elektrické inštalčné práce vykonávajte podľa predpisov.



VÝSTRAHA Zásah elektrickým prúdom
Pripojenie k elektrickej sieti je možné len v podobe trvalej prípojky.
Zariadenie sa musí dať odpojiť od siete všetkými pólmi s minimálnou odpojovacou vzdialenosťou 3 mm.



Materiálne škody
Dbajte na typový štítok. Uvedené napätie sa musí zhodovať so sieťovým napätím.
Dimenzujte prevádzkové prostriedky na menovitú spotrebu prístroja.



Materiálne škody
Upevnite prístroj na stene alebo podlahe tak, aby bola zaručená stabilita.

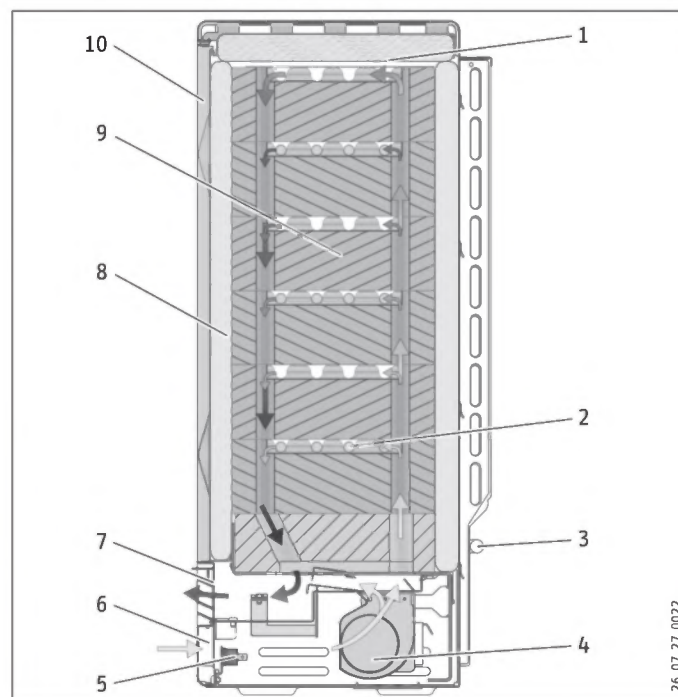


Materiálne škody
- Nemontujte prístroj bezprostredne pod stenovú zásuvku.
- Dbajte na to, aby sa pripojovací kábel nedotýkal častí prístroja.



Materiálne škody
Dbajte na všetky vnútroštátne a regionálne predpisy a ustanovenia.

10. Popis zariadenia



- 1 Kryt
- 2 Ohrievacie teleso
- 3 Snímač teploty v miestnosti
- 4 Ventilátor (M1)
- 5 Ochranný regulátor teploty (N5)
- 6 Vstup vzduchu
- 7 Výstup vzduchu
- 8 Izolácia
- 9 Akumulačné kamene
- 10 Predná stena a vnútorná predná stena

10.1 Spôsob činnosti

Akumulačné kamene sú zohrievané vykurovacími telesami, ktoré sa nachádzajú medzi radmi akumulčných kameňov. Pomocou regulátora nabíjania sa nastavuje nabíjanie. Začiatok a trvanie doby nabíjania určuje príslušný dodávateľ elektrickej energie (DEE).

Dva zabudované ochranné regulátory teploty, ako aj bezpečnostný obmedzovač teploty zabraňujú prehriatiu prístroja. Aby sa ochranný regulátor teploty samočinne znova nezapol, musí byť po odstránení príčiny poruchy znova zapnutá tepelná bezpečnostná poistka zatlačením tlačidla nachádzajúceho sa v strede na obmedzovači.

Uložené teplo sa odovzdáva pomocou ventilátora, čiastočne tiež cez povrch prístroja. Na tento účel sa vzduch v miestnosti nasáva ventilátorom cez otvory pre vstup vzduchu a fúka cez vzduchové kanály akumulčných kameňov, pričom sa zohrieva.

Pred výstupom cez mriežku výstupu vzduchu sa takto vyprodukovaný horúci vzduch mieša dvoma zmiešavacími klapkami vzduchu so studším vzduchom v miestnosti, aby vystupujúci vzduch neprekročil prípustnú maximálnu teplotu. Poloha zmiešavacej klapky vzduchu, a tým zmiešavací pomer vzduchu, sa reguluje prostredníctvom bimetalového regulátora.

INŠTALÁCIA

Prípravy

10.2 Rozsah dodávky

So zariadením sa dodáva:

- Akumulačné kamene

10.3 Príslušenstvo

- 2-bodový regulátor teploty v miestnosti (regulácia vybíjania)
- Prídavný ohrev
- Konštrukčná súprava DC Control Input (Riadiaci signál DC)

11. Prípravy



Materiálne škody

Treba zabezpečiť, aby sa medzi všetkými prípojkami strany sieťového napätia L, L1 a rôznymi riadiacimi signálmi SL, A1, A2, LF, SH, LE a LH zachovával rozdiel potenciálov max. 230 V.



Upozornenie

Na svorkách L a N svorkovnice X2 musí byť prítomné trvalé napätie.



Upozornenie

Pri pripojení prístroja na automatické riadenie nabíjania (napr. EAC 4) sa musí riadenie nabíjania pre elektronický regulátor nabíjania nastaviť bez korektúry napätia.

11.1 Miesto montáže



VÝSTRAHA Popálenie

- Zabezpečte, aby upevňovacia stena bola odolná teplote do minimálne 85 °C a podlaha do minimálne 80 °C.
- Dodržiavajte minimálne vzdialenosti k susediacim povrchom predmetov.



Upozornenie

Keď sa má prístroj inštalovať v miestnostiach, v ktorých sa vyskytuje zápach spalín, oleja alebo benzínu alebo v ktorých sa pracuje s rozpúšťadlami a chemikáliami, môžu vplyvom prevádzky prístroja vznikajú dlhotrvajúce zápachy alebo nečistoty na prístroji.



Materiálne škody

Prístroj musí byť inštalovaný zarovno so stenou.

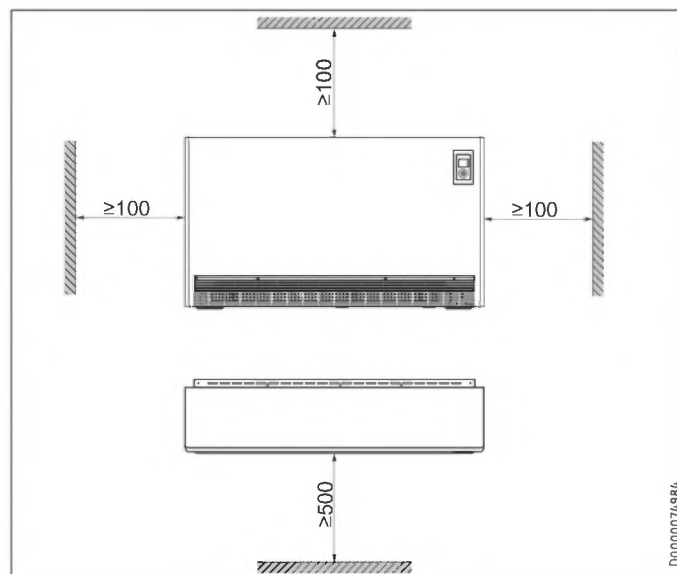
Miesto inštalácie prístroja musí byť rovné a dostatočne nosné. Údaje k hmotnosti prístroja nájdete v kapitole „Technické údaje / Tabuľka s údajmi“.

- V prípade pochybností sa obráťte na stavebného znalca.

Prístroje sa môžu inštalovať na každú bežnú podlahu, avšak v oblasti lyžín môžu pri podlahách s PVC, parketami a kobercami s dlhým, resp. vysokým vlasom pod vplyvom tlaku a tepelného vplyvu vznikajú zmeny. V týchto prípadoch sa musia používať podkladové dosky odolné voči teplu (obstarať zo strany zákazníka).

Stabilita prístroja sa musí zabezpečiť prostredníctvom upevnenia na stenu alebo podlahu (pozri kapitolu „Montáž / Varianty montáže“).

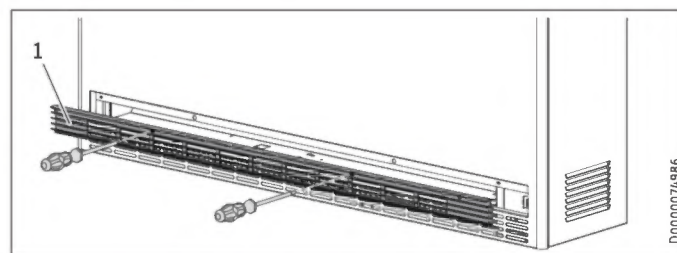
11.2 Minimálne vzdialenosti



- Zabezpečte, aby z prístroja bez zábran mohol vychádzať teplý vzduch.

12. Montáž

12.1 Otvorenie zariadenia

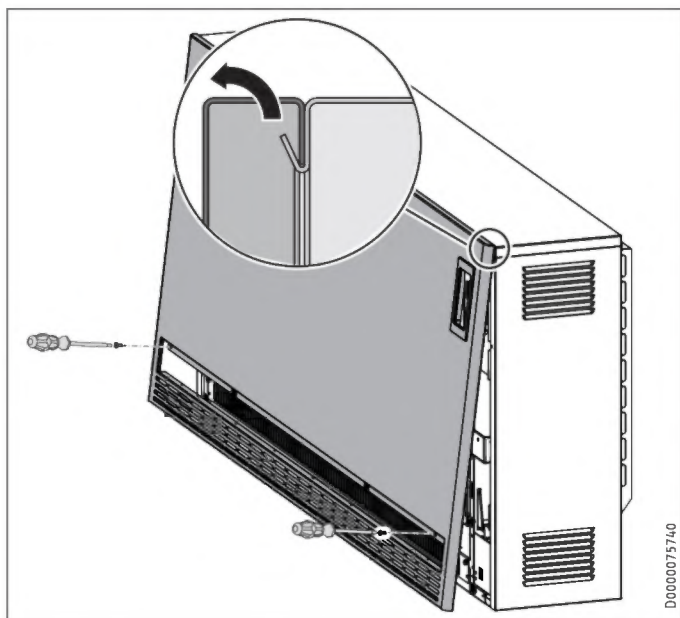


- 1 Mriežka výstupu vzduchu

- Uvoľnite oba štvrtobrátkové uzávery mriežky výstupu vzduchu a odnímite ju.

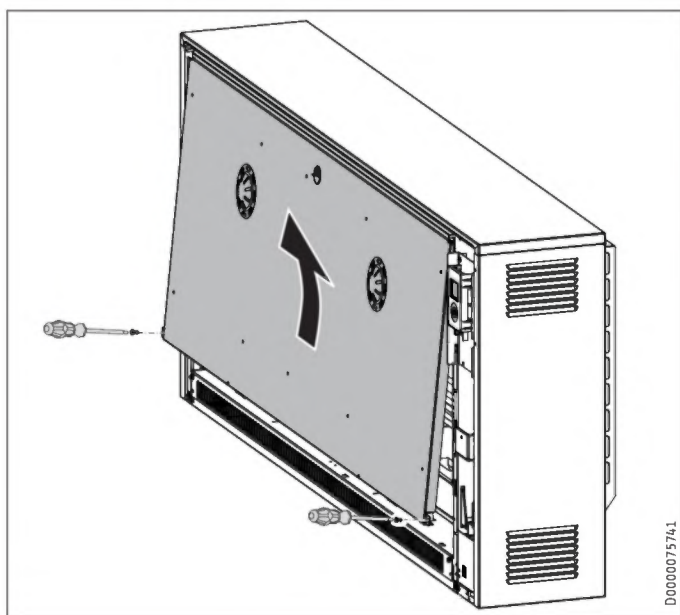
INŠTALÁCIA

Montáž



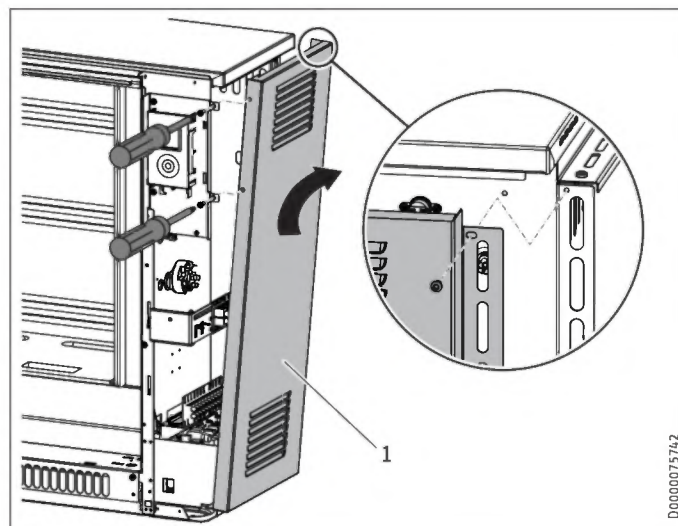
D0000075740

- Uvoľnite skrutky prednej steny.
- Potiahnite prednú stenu dopredu a nadvihnite ju.



D0000075741

- Uvoľnite skrutky vnútornej prednej steny na dolnom obrubovaní.
- Potiahnite vnútornú prednú stenu dopredu a nadvihnite ju.



D0000075742

- 1 Pravá bočná stena (s uvoľneným zoskrutkovaním)
- Uvoľnite 3 skrutky vpredu a vzadu na pravej bočnej stene.
 - Potiahnite bočnú stenu kúsok dopredu a hore ju odklopte nabok.
 - Zľahka nadvihnite bočnú stenu a odnímate ju.

12.2 Nastavenie regulácie nabíjania



Upozornenie

Zohľadnite nasledujúce údaje. Po montáži sa môžu tieto nastavenia príslušne podľa miesta a variantu montáže uskutočňovať za určitých okolností iba podmienene.

12.2.1 Zníženie inštalovaného príkonu

Prípojka prístroja je z výroby zapojená na maximálny výkon (100 %).

Prehodením, resp. odstránením mostíkov na pripojovacích svorkách môžete inštalovaný príkon zredukovať o 3 výkonové stupne (pozri kapitolu „Technické údaje / Zníženie inštalovaného príkonu“).

Dimenzovanie prierezov vodiča a istenie sa musí zrealizovať príslušne podľa maximálneho možného výkonu prístroja.



Upozornenie

Dodržte predpisy príslušného dodávateľa elektrickej energie (DEE).

12.2.2 Prispôsobenie výkonu príslušne podľa predĺženej menovitej doby nabíjania

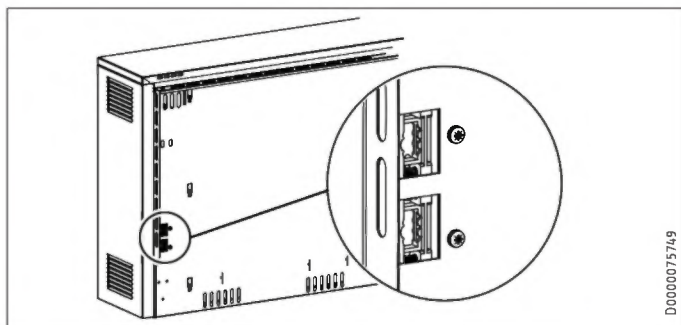
Prehodením, resp. odstránením mostíkov na pripojovacích svorkách sa inštalovaný príkon môže prispôsobiť menovitej dobe nabíjania špecifikovanej zo strany DEE. Z výroby sú akumulčné kachle dimenzované na menovitú dobu nabíjania 8 hodín.

- Dbajte k uvedenému na údaje v kapitole „Technické údaje / Prispôsobenie výkonu“.

12.2.3 Prípojka na riadiaci signál DC

Keď je v zariadení nainštalované riadenie nabíjania s riadiacim signálom DC (jednosmerné napätie 0,91 V – 1,43 V), potrebujete konštrukčnú súpravu DC Control Input (príslušenstvo). Riadiaci signál DC musí byť pripojený na svorkách A1/Z1 „DC + (kladný pól)“ a „A2/Z2“ DC - (záporný pól)“ na svorkovnici X3. Dbajte na polaritu.

12.3 Sieťové pripojenie / napájacie káble



D0000075749



VÝSTRAHA Zásah elektrickým prúdom

► Pred prácami na prístroji vypnite napájacie káble v skriňovom rozvádzači do beznapätového stavu.

- Navlečte sieťové prípojné vedenia, ako aj prípojné vedenia pre regulátor nabíjania a vyprázdnenia cez otvory v zadnej stene prístroja do prístroja a pripojte ich (pozri kapitolu „Technické údaje / Elektrická schéma zapojenia“).
- Orežte opláštenie na konci napájacích káblov v dĺžke cca 260 mm a tieto podľa potreby skráťte. Vedenia nesmú priliehať na vetracie štrbiny bočnej steny.

12.4 Elektrické pripojenie

12.4.1 Všeobecné



VÝSTRAHA Zásah elektrickým prúdom

Pri pripojení prístroja na automatické riadenie nabíjania sa aj pri vybraných poistkách môže na svorkách A1/Z1 a A2/Z2 vyskytovať napätie!

Elektrické pripojenie vykurovacieho telesa sa realizuje s 3/N/PE~400 V. S konštrukčnou sadou na jednofázové pripojenie je možné aj pripojenie s 1/N/PE~230 V.

Je možné pripojenie s NYM. Počet prívodov a žíl vedenia, ako aj prierezy vodičov sú závislé od menovitého príkonu prístroja a druhu sieťového pripojenia, ako aj od osobitných predpisov DEE.

Dbajte na elektrickú schému zapojenia a výkonové stupne (pozri kapitolu „Technické údaje“).

12.4.2 Pripojenie prístroja



VÝSTRAHA Zásah elektrickým prúdom

Dbajte bezpodmienečne na bezchybné pripojenie ochranného vodiča.



VÝSTRAHA Zásah elektrickým prúdom

Napájacie káble sa nesmú poškodzovať, odnímať ani vyťahovať z prístroja.

► Položte napájacie káble zodpovedajúcim spôsobom.



Upozornenie

Na svorkách L a N svorkovnice X2 musí byť prítomné trvalé napätie.

- Elektrické napájacie káble odľahčite od ťahu a pripojte ich podľa schémy zapojenia v prístroji (na vnútornej strane pravej bočnej steny) alebo podľa elektrickej schémy zapojenia v kapitole „Technické údaje“.

Keď je uholníkový plech na uchytenie sieťových pripojovacích svoriek nachádzajúci sa v priestore rozvádzača zle prístupný z dôvodu malého bočného odstupu, môžete ho po uvoľnení upevňovacej skrutky vytočiť dopredu.

12.4.3 Ovládanie bez stýkača vykurovania

Ak sa nemá nainštalovať stýkač vykurovania (čiastočne požiadavka DEE), môže sa využiť funkcia elektroniky akumuláčnych kachlí.

- Pripojte na tento účel buď signály DEE LF a N alebo signály SH a N príslušného riadenia nabíjania priamo na svorky LF/SH a N akumuláčnych kachlí.
- Nastavte v konfiguračnom menu parameter P15 na 1 (pozri kapitolu „Inštalácia / Nastavenia“).

Vykurovacie telesá v prístroji sa zapínajú až vtedy, keď je uskutočnené uvoľnenie LF zo strany DDE a elektronický regulátor nabíjania povoľuje nabíjanie.

12.4.4 Typový štítok prístroja



Upozornenie

Zadokumentujte inštalovaný príkon a menovitú dobu nabíjania.

- Označte na tento účel príslušné políčka na typovom štítku.

12.5 Varianty montáže

12.5.1 Upevnenie na stenu (pri dostatočne nosnej stene)

Na účely upevnenia na stenu treba v zadnej stene prístroja v oblasti priestoru rozvádzača vyvŕtať otvor.

- Priskrutkujte prístroj vhodnou skrutkou na stenu, aby ste ho zaistili proti prevráteniu.

12.5.2 Upevnenie na podlahe

Alternatívne môžete prístroj zoskrutkovať s podlahou prostredníctvom štyroch otvorov (Ø 9 mm) v nôžkach prístroja.

- Vymontujte mriežku výstupu vzduchu, prednú stenu a konštrukčný celok vedenia vzduchu (pozri kapitolu „Montáž / Otvorenie prístroja a očistenie prístroja“).
- Priskrutkujte prístroj vhodnými skrutkami na podlahe.

12.6 Nasadenie akumulčných kameňov



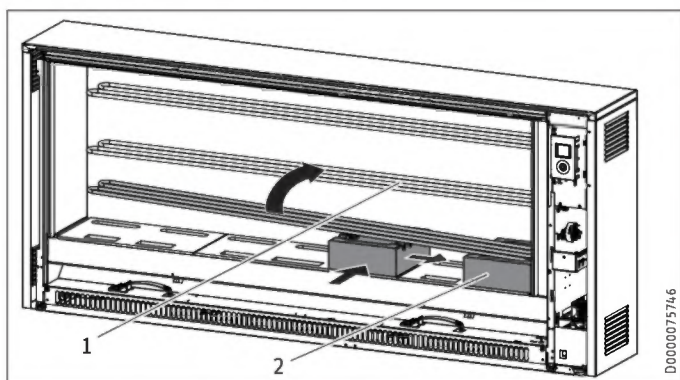
VÝSTRAHA Popálenie
Porušené tepelné izolácie môžu viesť k prehriatu krytu.

- ▶ Skontrolujte tepelnú izoláciu v prístroji na prítomnosť prepravných škôd.
- ▶ Vymeňte chybné tepelnoizolačné výlisky.

Prístroj musí byť úplne bez cudzích telies, ako sú zvyšky obalu.

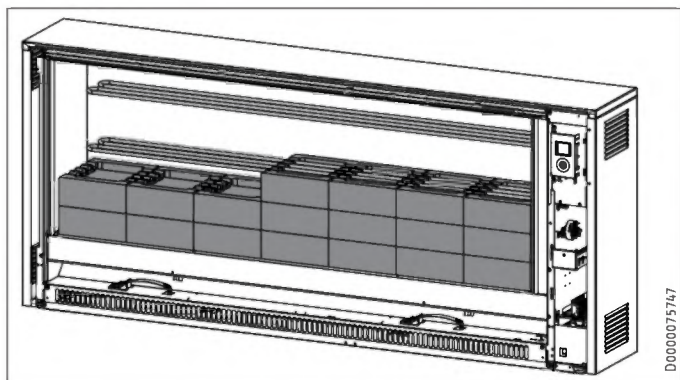
- ▶ Odstráňte krycí plech a kartónové vložky z vnútorného priestoru prístroja.

Akumulačné kamene sa dodávajú zabalené oddelene. Akumulačné kamene s ľahkými prepravnými škodami sa môžu používať. Funkcia prístroja sa týmto negatívne neovplyvňuje.

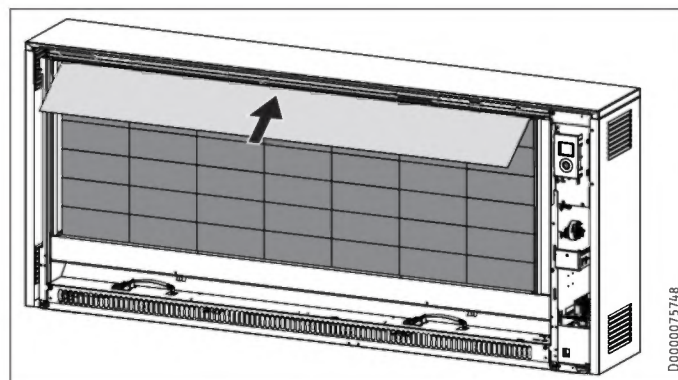


- 1 Ohrievacie teleso
- 2 Akumulačný kameň

- ▶ Na účely nasadenia akumulčných kameňov kúsok nadvihnite vykurovacie telesá.
- ▶ Dbajte pri nadvihovaní vykurovacieho telesa na to, aby prichodné otvory v bočnej tepelnej izolácii neboli rozšírené vykurovacím telesom.
- ▶ Vložte prvý akumulčný kameň otočený s priehlbínou pre vykurovacie teleso nahor v istom odstupe od pravej tepelnej izolácie.
- ▶ Prisuňte akumulčný kameň tak na pravú, ako aj zadnú tepelnú izoláciu. Pozdĺžne otvory tvoria vykurovacie kanály.



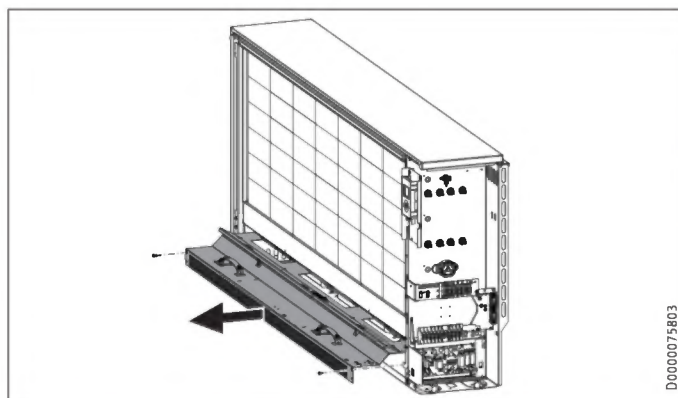
- ▶ Vložte ďalšie akumulčné kamene v zobrazenom poradí.



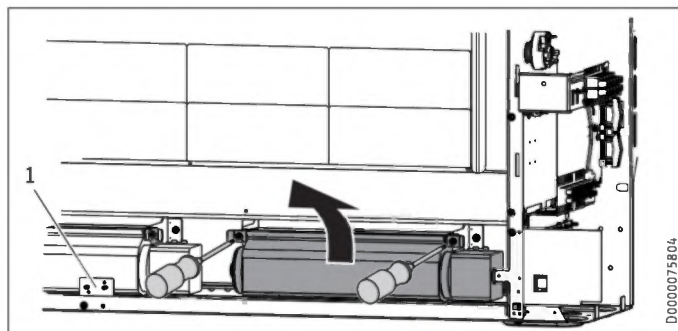
- ▶ Nasuňte kryt odobratý z vnútorného priestoru nad horné akumulčné kamene.

12.7 Očistenie prístroja

- ▶ Očistite prístroj po inštalácii a nasadení akumulčných kameňov. Postupujte pritom nasledovným spôsobom:



- ▶ Vymontujte konštrukčný celok vedenia vzduchu.



- 1 Ochranný regulátor teploty (N5)

- ▶ Nadvihnite ventilátor a vyberte ho. Za týmto účelom uvoľnite predné skrutky, ktoré sa nachádzajú na pridržiavacích uholníkoch.
- ▶ Dbajte pri tom na položenie kábla.

Pri niektorých prístrojoch musíte na uvedený účel odskrutkovať ochranný regulátor teploty (N5) vrátane pridržiaceho plechu.



Materiálne škody

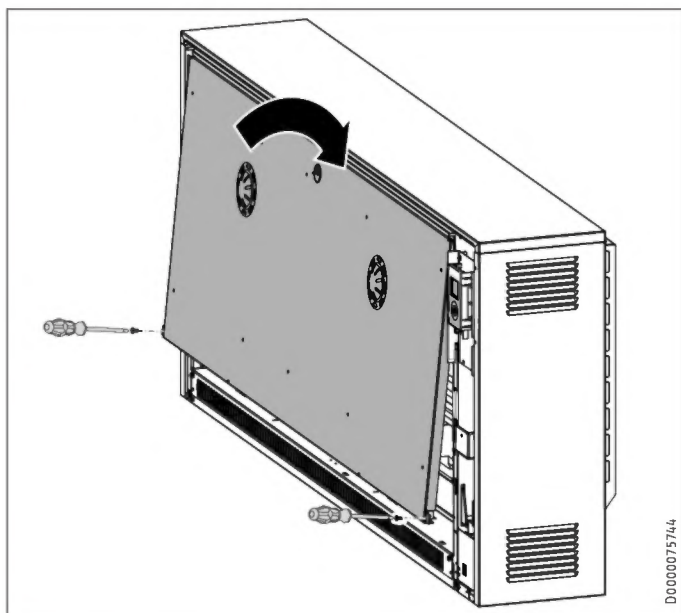
Pri odkladaní vymontovaných dielov dbajte na to, aby sa nepoškodili lanká.

INŠTALÁCIA

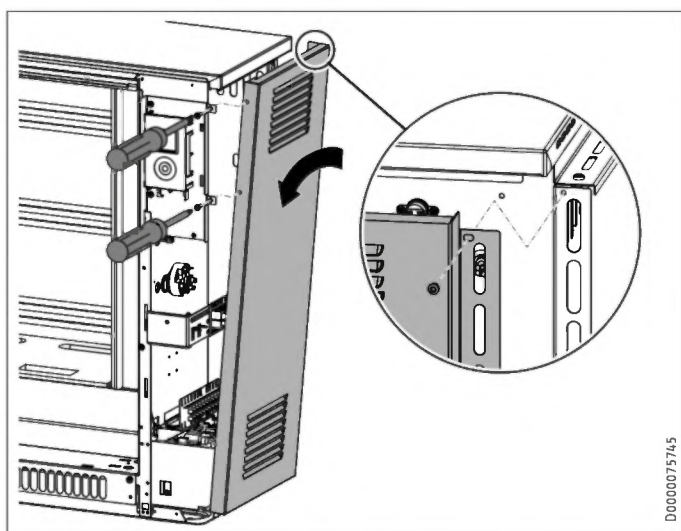
Nastavenia

- ▶ Očistite plech dna a ventilátor. Dbajte na to, aby sa nepoškodili lamely.
- ▶ Namontujte potom späť ventilátor, príp. ochranný regulátor teploty, ako aj konštrukčný celok vedenia vzduchu.
- ▶ Dbajte na správne polozenie kábla.

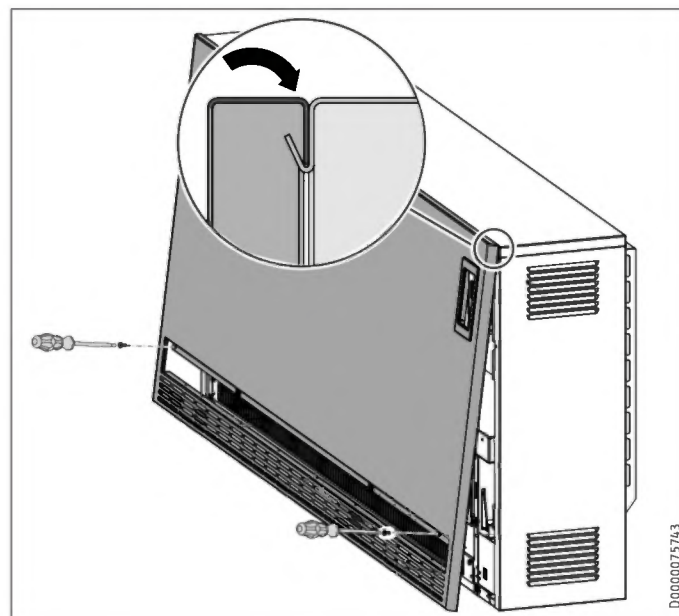
12.8 Zatvorenie prístroja



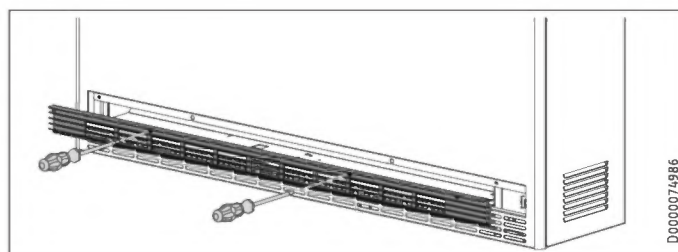
- ▶ Nasadte späť vnútornú prednú stenu.



- ▶ Nasadte pravú bočnú stenu dole a priklopte ju hore na prístroj.
- ▶ Zaveste bočnú stenu hore na veku a zatlačte ju dozadu. Dbajte na to, aby bočná stena priliehala na pridržnom plechu obslužnej jednotky.
- ▶ Pevne priskrutkujte bočnú stenu pomocou 3 skrutiek vrät ozubených podložiek.



- ▶ Odstráňte pred montážou prednej steny ochrannú fóliu z obslužnej jednotky.
- ▶ Nasadte späť prednú stenu.
- ▶ Pevne priskrutkujte prednú stenu pomocou skrutiek vrät ozubených podložiek.



- ▶ Pritiahnite mriežku výstupu vzduchu prostredníctvom oboch štvrtobrátkových uzáverov.

13. Nastavenia

13.1 Menu Konfigurácia

Ak sa chcete dostať do menu Konfigurácia, držte stlačené tlačidlo „Menu“. Po cca 3 sekundách sa zobrazí skutočná hodnota I1.

Indikácia	Popis
I1-I2	Skutočné hodnoty
Pro1-Pro3	Časové programy
P1-P5	Parameter
CodE	Prístup montážnika

Po zadaní štvormiestneho číselného kódu sa uvoľňujú dodatočné skutočné hodnoty a parametre, ktoré sú vyhradené montážnikovi.

Úroveň prístupu	Popis
A0	Skutočné hodnoty a parametre, ktoré sú uvoľnené pre používateľa prístroja, a tým sú dosiahnuteľné bez kódu.
A1	Skutočné hodnoty a parametre pre montážnika.

13.1.1 Zadať kód

Kód naprogramovaný z výroby je 1000.

- ▶ Vytvorte pomocou tlačidla „+“ alebo „-“ položku menu „CodE“.
- Striedavo s položkou menu sa zobrazuje úroveň prístupu A0.
- ▶ Stlačte tlačidlo „OK“.
- Zobrazuje sa zadanie kódu. Prvá číslica bliká.
- ▶ Zadajte pomocou tlačidla „+“ alebo „-“ kód 1000. Po každej zadanej číslici stlačte tlačidlo „OK“.

Po správnom zadaní kódu sú viditeľné skutočné hodnoty a parametre, ktoré boli predtým zablokované.

13.1.2 Skutočné hodnoty

Indikácia	Popis	Úroveň prístupu	Jednotka
I1	Skutočná hodnota teploty v miestnosti	A0	[°C] [°F]
I2	Relatívna doba ohrevu (Pomocou parametra P5 môžete vynulovať počítadlo.)	A0	[h]
I3	Požadovaný stupeň nabitia ďalšieho nabíjania	A1	[%]
I4	Skutočný stupeň nabitia	A1	[%]

13.1.3 Parameter

Indikácia	Popis	Úroveň prístupu	Možnosti
P1	Odchýlka teploty v miestnosti	A0	±3 °C ±5 °F
P2	Formát času	A0	12 h 24 h
P3	Jednotka zobrazenia teploty	A0	°C °F
P4	Vynulovanie časových programov	A0	on off
P5	Vynulovať relatívnu dobu ohrevu	A0	on off
P6	Riadiaci signál SL	A1	0 1
P7	Druh riadenia ventilátorov	A1	0 1
P8	Zníženie vypínacej teploty	A1	100 % 90 % 80 % 70 %
P12	Prídavný ohrev	A1	0 1
P14	Požadovaného stupňa nabitia zdroja	A1	1 2 3
P15	Povolenie nízkej tarify zdroja	A1	0 1
P17	Systém ED	A1	30 - 80 %
P18	Postup pri poruchách	A1	0 1

Ak chcete zmeniť hodnotu parametra, tlačidlom „+“ vyvolajte príslušný parameter. Stlačte tlačidlo „OK“.

Hneď ako sa objaví symbol „Upravitel'ne parametre“, môžete tlačidlami „+“ a „-“ zmeniť hodnotu parametra. Ak chcete uložiť nastavenú hodnotu, stlačte tlačidlo „OK“.

Keď stlačíte tlačidlo „Menu“ alebo dlhšie ako 10 minút neobsľuhujete prístroj, ten sa automaticky prepne do štandardnej indikácie. Zablokovanie parametrov je znova aktivované.

P6: Riadiaci signál SL

Možnosti	Popis
0	Vstup SL deaktivovaný (nastavenie z výroby): Riadenie ventilátorov sa uskutočňuje cez regulátor teploty v miestnosti integrovaný v prístroji.
1	Vstup SL aktivovaný: Riadenie ventilátorov sa uskutočňuje cez 2-bodový regulátor teploty v miestnosti namontovaný na stene.

P7: Druh riadenia ventilátorov

Možnosti	Popis
0	2-bodový regulátor: Ventilátor sa zapína a vypína regulátorom teploty miestnosti, ktorý je integrovaný v prístroji príslušne podľa potreby tepla.
1	Proporčný regulátor (nastavenie z výroby): Otáčky motorov ventilátorov plynule prispôsobuje regulátor teploty v miestnosti integrovaný v prístroji podľa potreby tepla.

P8: Zníženie vypínacej teploty

Prostredníctvom parametra P8 môžete v spojení s meniteľným inštalovaným príkonom voliť štyri rozličné stupne nabitia pre elektronický regulátor nabíjania (100 %, 90 %, 80 % alebo 70 %). Nastavenie z výroby je 100 % (žiadne zníženie).

Ak sa zvolí iné nastavenie, výsledkom je znížený stupeň nabitia (vypínacia teplota elektronického regulátora nabíjania klesne). Pozri kapitolu „Technické údaje / Zníženie inštalovaného príkonu pri zachovaní menovitej doby nabíjania 8 hodín“.

P12: Núdzové prídavné vykurovacie teleso (príslušenstvo)

Možnosti	Popis
0	Keď v prístroji nie je nainštalované žiadne núdzové prídavné vykurovacie teleso (nastavenie z výroby).
1	Núdzové prídavné vykurovacie teleso nainštalované v prístroji sa aktivuje.

P14: Požadovaného stupňa nabitia zdroja

Možnosti	Popis
1	Pri prístrojoch bez poveternostne kompenzovaného riadenia nabíjania. Nabíjacie množstvo sa reguluje prostredníctvom zoslabovača stupňa nabitia.
2	Vedenie riadenia nabíjania je pripojené na riadiaci signál AC (nastavenie z výroby).
3	Vedenie riadenia nabíjania je pripojené na riadiaci signál DC.

P15: Povolenie nízkej tarify zdroja

Možnosti	Popis
0	Permanentné uvoľnenie (nastavenie z výroby): Vykurovacie telesá v prístroji sa zapínajú, keď stýkač vykurovania a elektronický regulátor nabíjania uvoľňujú nabíjanie.
1	Hardvérový signál LF: Vykurovacie telesá v prístroji sa zapínajú až vtedy, keď je uskutočnené uvoľnenie LF zo strany DDE a elektronický regulátor nabíjania povoľuje nabíjanie.

P17: Systém ED

Vedenie riadenia nabíjania musí byť pripojené na riadiaci signál AC (signál striedavého napätia na svorkách A1 a A2).

Elektronický regulátor nabíjania prístroja sa môže prevádzkovať na riadeniach nabíjania systémov ED 80 %, 72 %, 68 %, 40 % a 37 %. Nastavenie z výroby je určené pre systémy ED 80 %.

Keď sa prístroj prevádzkuje na iných systémoch ED, tak sa tento parameter musí nastaviť na zodpovedajúcu percentuálnu hodnotu.

P18: Postup pri poruchách

Možnosti	Popis
0	Regulátor nabíjania v prístroji je nastavený na „negatívne správanie pri poruche“ (žiadne nabíjanie akumulačných kachlí pri chybnom riadení nabíjania). Toto nastavenie sa môže uskutočniť iba pri prevádzke na digitálnych riadeniach nabíjania. Pri AC riadeniach nabíjania sa dodatočne vyžaduje signál ED 80 %.
1	Regulátor nabíjania v prístroji je nastavený na „pozitívne správanie pri poruche (nastavenie z výroby). To znamená, že pri chybnom riadení nabíjania (napr. výpadku riadiaceho signálu) prístroj dostáva plné nabitie.

14. Uvedenie do prevádzky

14.1 Kontrola pred uvedením do prevádzky

Pred uvedením do prevádzky môžete vykonať kontrolu funkčnosti. Vyvolajte na tento účel režim uvedenia do prevádzky v menu Konfigurácia.

- ▶ Ak sa chcete dostať do menu Konfigurácia, držte stlačené tlačidlo „Menu“ na cca 3 sekundy.

Najskôr musíte uvoľniť prístupovú úroveň A1, ktorá je vyhradená montážnikovi.

- ▶ Vyvolajte pomocou tlačidla „+“ alebo „-“ položku menu „CodE“.
- ▶ Stlačte tlačidlo „OK“.
Zobrazuje sa zadanie kódu. Prvá číslica bliká.
- ▶ Zadajte pomocou tlačidla „+“ alebo „-“ kód 1000. Po každej zadanej číslici stlačte tlačidlo „OK“.
- ▶ Po správnom zadaní kódu vyvolajte pomocou tlačidla „+“ skutočnú hodnotu 14.
- ▶ Ak sa chcete dostať do režimu uvedenia do prevádzky, podržte tlačidlá „Menu“ a „+“ súčasne stlačené cca 3 sekundy.

V režime uvedenia do prevádzky sa uskutočňuje prvé nabíjanie. Nabíjacie množstvo zodpovedá nastaveniu na zoslabovači stupňa nabitia. Na zobrazení sa zobrazuje pokrok nabitia v percentách.



Upozornenie

- Keď je zoslabovač stupňa nabitia nastavený na 0 %, neuskutočňuje sa žiadne nabíjanie.
- Po dosiahnutí stupňa nabitia prístroj automaticky opúšťa režim uvedenia do prevádzky.

- ▶ Skontrolujte funkciu ventilátora zapnutím uvoľnenia ventilátora pomocou tlačidla „Ventilátor“.



Upozornenie

Ventilátor beží iba pri nabíjaní.

- ▶ Ak chcete opustiť režim uvedenia do prevádzky, podržte tlačidlá „Menu“ a „-“ súčasne stlačené cca 3 sekundy.

14.2 Prvé uvedenie do prevádzky

Po uskutočnení montáže môžete prístroj priamo uviesť do prevádzky.

- ▶ Nastavte nabíjanie prostredníctvom zoslabovača stupňa nabitia alebo riadenia nabíjania.

14.2.1 Nabíjanie

Pri prvom nabíjaní môže vzniknúť zápach.

- ▶ Postarajte sa o dostatočnú ventiláciu miestnosti. Prostredníctvom naklonenej polohy okna dosahujete napr. 1,5-násobnú výmenu vzduchu.

Keď prístroj nainštalujete v spálni, prvé nabíjanie by sa nemalo uskutočňovať počas spánku.

15. Prestavba prístroja

Na účely prestavbových, nadstavbových a montážnych prác je určený priložený návod príslušnej konštrukčnej súpravy.

16. Odovzdanie

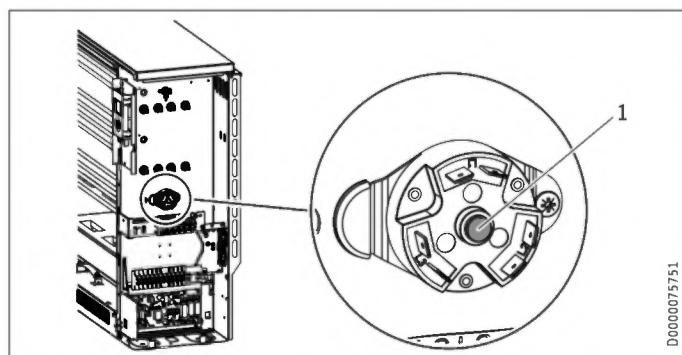
Vysvetlite používateľovi funkcie prístroja. Upozornite ho najmä na bezpečnostné pokyny. Odovzdajte používateľovi tento návod na obsluhu a inštaláciu.

17. Odstraňovanie porúch

17.1 Tabuľka porúch

Porucha	Príčina	Odstránenie
Prístroj sa nezohrieva.	Ovládanie stýkača vykurovacieho telesa nie je v poriadku.	Skontrolujte ovládanie stýkača vykurovacieho telesa.
	Chýbajúci zdroj napätia v akumulačných kachliach.	Skontrolujte poistku v hlavnom rozvode.
	Chýbajúci zdroj napätia na regulátore nabíjania.	Skontrolujte zdroj napätia. Pozri kapitolu „Elektrická prípojka“ a/alebo „Technické údaje“.
	Spustila sa tepelná bezpečnostná poistka (F1).	Opäť aktivujte obmedzovač teploty (pozri kapitolu „Uvoľnenie obmedzovača teploty“).
Prístroj má pri miernych vonkajších teplotách príliš vysoké nabíjanie (pri použití riadenia nabíjania).	Riadenie nabíjania je nesprávne nastavené.	Skontrolujte nastavenia riadenia nabíjania.
	Regulátor nabíjania funguje chybné.	Skontrolujte nastavenia parametrov P14, P15, P17 a P18 v konfiguračnom menu (pozri kapitolu „Inštalácia/Nastavenia“).
	Prenos riadiaceho signálu je prerušený.	Skontrolujte, či je v akumulačných kachliach prítomný riadiaci signál riadenia nabíjania.
Prístroj má pri miernych vonkajších teplotách príliš vysoké nabíjanie (pri manuálnom nastavení nabíjania).	Vykurovacia krivka je nesprávne nastavená.	Skontrolujte nastavenia na riadení nabíjania
	Snímač vonkajšej teploty je chybný.	Premerajte snímač vonkajšej teploty a prípadne ho vymeňte.
	Regulátor nabíjania vysiela nesprávny riadiaci signál.	Skontrolujte nastavenia parametrov P17 a P18 v konfiguračnom menu (pozri kapitolu „Inštalácia/Nastavenia“).
Prístroj sa nevyprázdňuje.	Nastavenia zoslabovača stupňa nabitia na akumulačných kachliach.	Skontrolujte nastavenie zoslabovača stupňa nabitia.
	Ventilátory sa neotáčajú.	Skontrolujte nastavenia parametra P6 v menu Konfigurácia (pozri kapitolu „Inštalácia/Nastavenia“). ... či je zapnuté uvoľnenie ventilátora. ... či je prítomné napätie ventilátora v akumulačných kachliach.
	Sito so zosilnenými miestami vo vstupe vzduchu je upchané.	Očistite sito so zosilnenými miestami. Pozri kapitolu „Čistenie, ošetrovanie a údržba“. Skontrolujte, či nie je prítomná prekážka v prívode vzduchu, napr. prostredníctvom koberec s vysokým vlasom. Skontrolujte, či nezareagoval ochranný regulátor teploty (N5) vo výstupe vzduchu.
Zobrazenie ukazuje chybový kód „E1“.	Snímač teploty v miestnosti je chybný.	Premerajte snímač teploty v miestnosti a prípadne ho vymeňte.
Zobrazenie ukazuje chybový kód „E2“.	Snímač teploty jadra je chybný.	Premerajte snímač teploty jadra a prípadne ho vymeňte.
Zobrazenie ukazuje chybový kód „E3“.	Riadiaci signál DC je pripojený so zamenenými pólmí.	Skontrolujte prípojku riadiaceho signálu DC.

17.1.1 Aktivovanie tepelnej bezpečnostnej poistky (F1)








1 Nulovacie tlačidlo bezpečnostného obmedzovača teploty

Tepelná bezpečnostná poistka sa po odstránení príčiny poruchy môže znova uvoľniť zatlačením nulovacieho tlačidla.

17.2 Symboly typového štítku



Symboly typového štítku (príklad SHF 7000)

-  Celková hmotnosť
-  Nabíjanie
-  Vybíjanie
-  Prídavný ohrev
-  Ventilátor

18. Údržba a čistenie

Kanál ventilátora za mriežkou výstupu vzduchu sa musí kontrolovať každé dva roky. Tu môže dochádzať k ľahkým nánosom nečistôt.



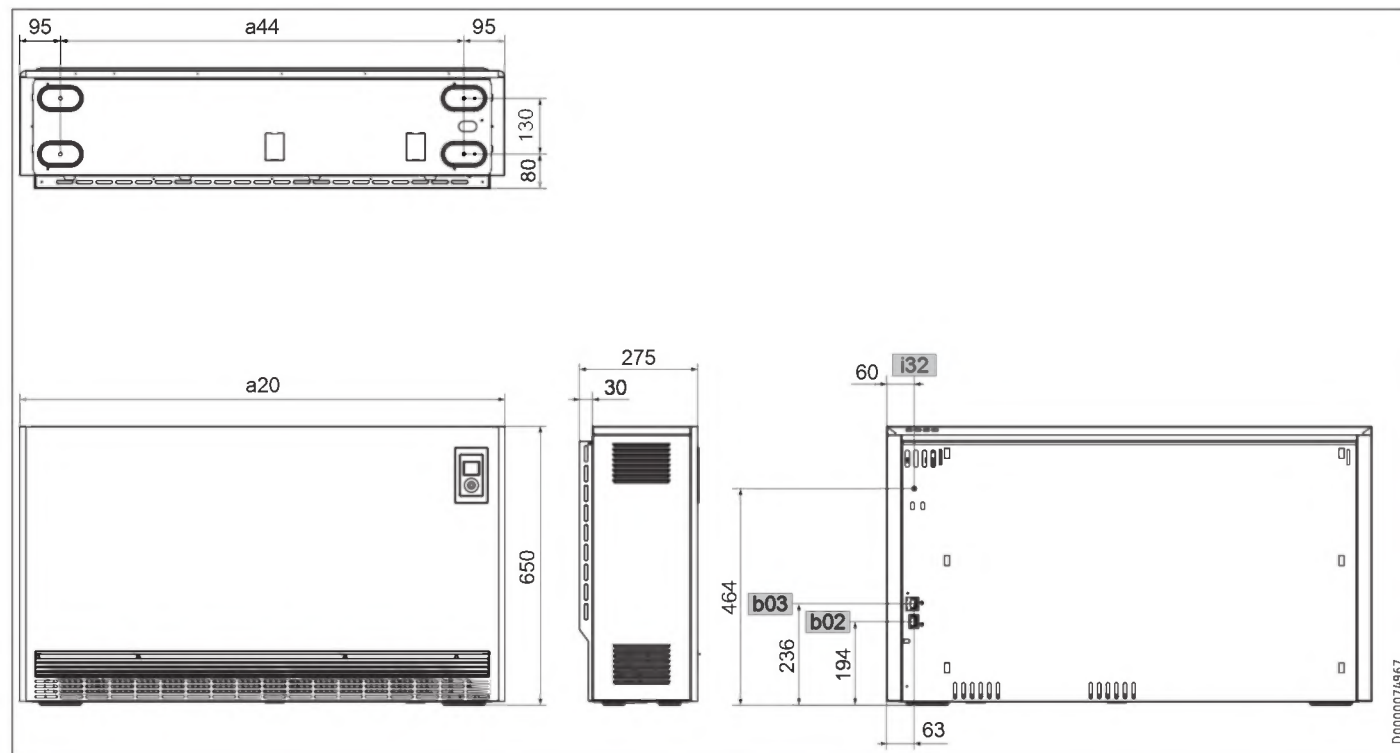
Upozornenie

Pri pravidelnej údržbe odporúčame nechať skontrolovať aj kontrolné a regulačné zariadenia.

- ▶ Bezpečnostné, kontrolné a regulačné zariadenia, ako aj celý systém riadenia nabíjania a vybíjania nechajte skontrolovať montážnikovi najneskôr 10 rokov po prvom uvedení do prevádzky.

19. Technické údaje

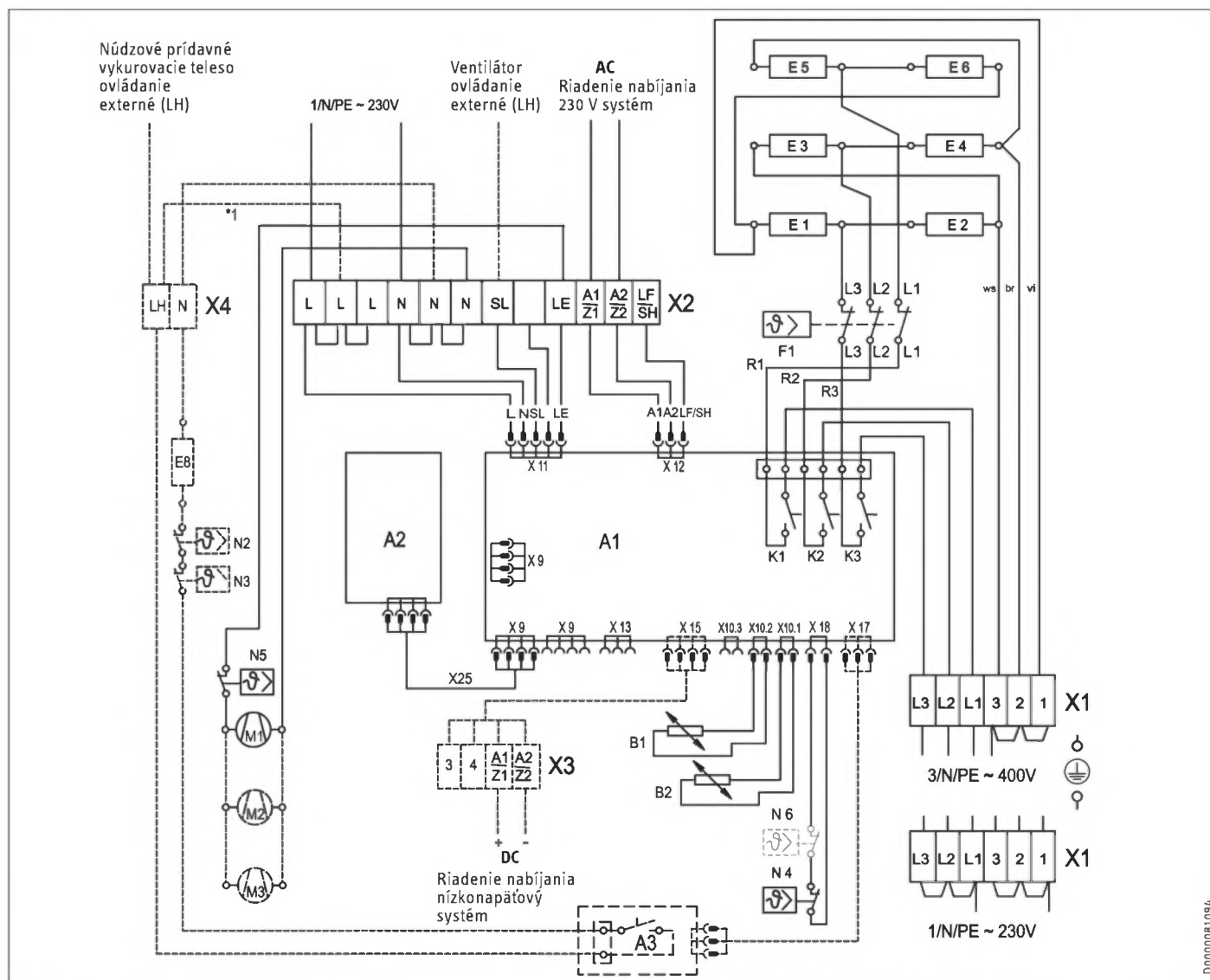
19.1 Rozmery a prípojky



			SHF 2000	SHF 3000	SHF 4000	SHF 5000	SHF 6000	SHF 7000
a20	Zariadenie	Šírka	605	780	955	1130	1305	1480
a44	Zariadenie	Odstup nastaviteľné nohy	415	590	765	940	1115	1290
b02	Priechodka elektr. vedení I							
b03	Priechodka elektr. vedení II							
i32	Zafixovanie							

19.2 Elektrická schéma zapojenia

! Materiálne škody
Trebá zabezpečiť, aby sa medzi všetkými prípojkami strany sieťového napätia L, L1 a rôznymi riadiacimi signálmi SL, A1, A2, LF, SH, LE a LH zachovával rozdiel potenciálov max. 230 V.



Akumulačná časť

A1	Elektronický regulátor nabíjania/vybíjania
A2	Elektronika ovládacieho panela
B1	Snímač v jadre - nabíjanie
B2	Snímač teploty v miestnosti - vybíjanie
F1	Tepelná bezpečnostná poistka
E1 - E6	Ohrievacie teleso
M1 - M3	Ventilátor akumuláčnych kachlí
N4	Obmedzovač teploty - nabíjanie
N5	Ochranný regulátor teploty
N6	Obmedzovač teploty - stupeň nabíjania iba pre 6 - 7 kW
X25	Spojovacie vedenie interné A1 - A2
X1	Sieťová pripojovacia svorka
X2	Pripojovacia svorka

Príslušenstvo

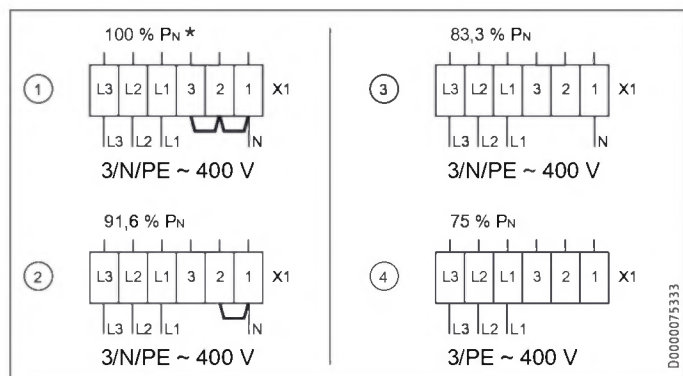
(Nepatrí do rozsahu dodávky. Krížikom označte príslušné zabudované príslušenstvo v štvorcových políčkach.)

- Prípojka DC**
- X3 Pripojovacia svorka (0,91 - 1,43 V)
- Núdzové prídavné vykurovacie teleso** (ovládanie interné) *1 / lanko LH - L
- Núdzové prídavné vykurovacie teleso** (ovládanie externé) A3 Konštrukčný celok relé núdzového prídavného vykurovacieho telesa
- E8 Núdzové prídavné vykurovacie teleso
- N2 Regulátor teploty - núdzové prídavné vykurovacie teleso
- N3 Regulátor teploty - núdzové prídavné vykurovacie teleso
- X4 Pripojovacia svorka

19.3 Zníženie inštalovaného príkonu

Varianty pripojenia (8h-vykurovacie teleso)

		①	②	③	④
		100 %	91,6 %	83,3 %	75 %
Typy					
SHF 2000	kW	2,00	1,83	1,67	1,50
SHF 3000	kW	3,00	2,75	2,50	2,25
SHF 4000	kW	4,00	3,66	3,33	3,00
SHF 5000	kW	5,00	4,58	4,16	3,75
SHF 6000	kW	6,00	5,50	5,00	4,50
SHF 7000	kW	7,00	6,42	5,83	5,25

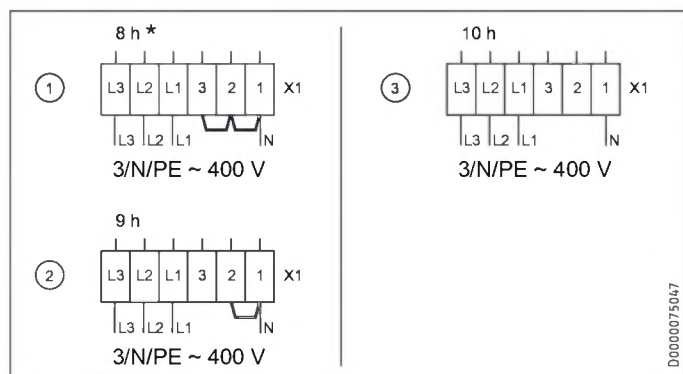


* Sériová kabeláž

19.4 Prispôsobenie výkonu (menovitá doba nabíjania)

Vyhotovene vykurovacieho telesa (8h-vykurovacie teleso)

Menovitá doba nabíjania	8h	9h	10h	
Varianty pripojenia	①	②	③	
Typy				
SHF 2000	kW	2,00	1,83	1,67
SHF 3000	kW	3,00	2,75	2,50
SHF 4000	kW	4,00	3,66	3,33
SHF 5000	kW	5,00	4,58	4,16
SHF 6000	kW	6,00	5,50	5,00
SHF 7000	kW	7,00	6,42	5,83

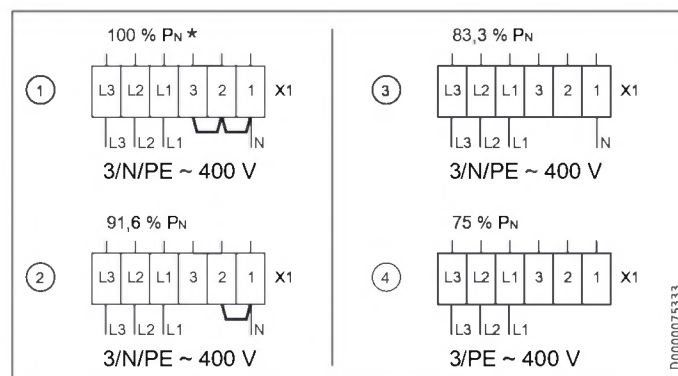


* Sériová kabeláž

19.5 Zníženie inštalovaného príkonu pri zachovaní menovitej doby nabíjania 8 hodín

Inštalovaný príkon (8h-vykurovacie teleso)

Varianty pripojenia	①	②	③	④
Prípojné vedenia	100 %	91,6 %	83,3 %	75 %
Stupne nabitia voliteľné cez parameter P8	100 %	90 %	80 %	70 %



* Sériová kabeláž

INŠTALÁCIA

Technické údaje

19.6 Údaje k spotrebe energie

Údaje výrobku zodpovedajú nariadeniam EÚ vychádzajúcim zo smernice stanovujúcej požiadavky na ekodizajn energeticky významných výrobkov (ErP).

Produktové informácie k elektrickým vykurovacím telesám do samostatných miestností podľa nariadenia (EU) 2015/1188

		SHF 2000	SHF 3000	SHF 4000	SHF 5000	SHF 6000	SHF 7000
		200175	200176	200177	200178	200179	200180
Výrobca		STIEBEL ELTRON	STIEBEL ELTRON	STIEBEL ELTRON	STIEBEL ELTRON	STIEBEL ELTRON	STIEBEL ELTRON
Vykurovací výkon							
Menovitý tepelný výkon P_{nom}	kW	1,0	1,5	2,0	2,5	3,0	3,5
Minimálny tepelný výkon (orientačná hodnota) P_{min}	kW	0,0	0,0	0,0	0,0	0,0	0,0
Maximálny nepretržitý tepelný výkon $P_{max,c}$	kW	1,3	2,3	3,0	3,5	4,3	4,9
Spotreba pomocného prúdu							
Pri menovitom tepelnom výkone $e_{l,max}$	kW	0,000	0,000	0,000	0,000	0,000	0,000
Pri minimálnom tepelnom výkone $e_{l,min}$	kW	0,000	0,000	0,000	0,000	0,000	0,000
V pohotovostnom stave $e_{l,s}$	kW	0,000	0,000	0,000	0,000	0,000	0,000
Druh regulácie prívodu tepla							
Manuálna regulácia prívodu tepla s integrovaným termostatom		-	-	-	-	-	-
Manuálna regulácia prívodu tepla so spätným hlásením teploty v miestnosti a/alebo vonkajšej teploty		-	-	-	-	-	-
Elektronická regulácia prívodu tepla so spätným hlásením teploty v miestnosti a/alebo vonkajšej teploty		x	x	x	x	x	x
Odvádzanie tepla s podporou ventilátora		x	x	x	x	x	x
Druh tepelného výkonu/kontroly teploty v miestnosti							
Jednostupňový tepelný výkon, žiadna kontrola teploty v miestnosti		-	-	-	-	-	-
Dva alebo viac manuálne nastaviteľných stupňov, žiadna kontrola teploty v miestnosti		-	-	-	-	-	-
Kontrola teploty v miestnosti s mechanickým termostatom		-	-	-	-	-	-
S elektronickou kontrolou teploty v miestnosti		-	-	-	-	-	-
Elektronická kontrola teploty v miestnosti a regulácia denného času		-	-	-	-	-	-
Elektronická kontrola teploty v miestnosti a regulácia dňa v týždni		x	x	x	x	x	x
Ostatné možnosti regulácie							
Kontrola teploty v miestnosti s rozpoznávaním prítomnosti		-	-	-	-	-	-
Kontrola teploty v miestnosti s rozpoznávaním otvorených okien		x	x	x	x	x	x
S možnosťou diaľkového ovládania		-	-	-	-	-	-
S adaptívnou reguláciou začiatku vykurovania		x	x	x	x	x	x
S obmedzením prevádzkovej doby		-	-	-	-	-	-
So snímačom čiernej žiarovky		-	-	-	-	-	-

INŠTALÁCIA

Technické údaje

19.7 Tabuľka s údajmi

		SHF 2000	SHF 3000	SHF 4000	SHF 5000	SHF 6000	SHF 7000
		200175	200176	200177	200178	200179	200180
Elektrické údaje							
Príkon	W	2000	3000	4000	5000	6000	7000
Menovité napätie	V	~400	~400	~400	~400	~400	~400
Fázy		3/N/PE	3/N/PE	3/N/PE	3/N/PE	3/N/PE	3/N/PE
Frekvencia	Hz	50/-	50/-	50/-	50/-	50/-	50/-
Menovité nabitie	kWh	16	24	32	40	48	56
Elektrický prídavný ohrev	kW	0,35	0,5	0,8	1,0	1,2	1,5
Energetické údaje							
Ročný koeficient využitia vykurovania miestnosti η_s	%	39,5	39,5	39,5	39,5	39,5	39,5
Rozmery							
Výška	mm	650	650	650	650	650	650
Šírka	mm	605	780	955	1130	1305	1480
Hĺbka	mm	275	275	275	275	275	275
Hmotnosti							
Hmotnosť	kg	32	40	48	56	64	72
Hmotnosť (s kameňmi)	kg	118	169	220	271	322	373
Vyhotovenia							
Farba		alpská biela	alpská biela	alpská biela	alpská biela	alpská biela	alpská biela
Hodnoty							
4-stupňová redukcia stupňa nabíjania		100/90/80/70	100/90/80/70	100/90/80/70	100/90/80/70	100/90/80/70	100/90/80/70
Schopnosť akumulácie tepla	%	48	53	55	56	58	59
Prevádzkový hluk	dB(A)	30	32	33	34	34	34
Obchodné atribúty							
Počet balení tehál		6	9	12	15	18	21

Záruka

Pre zariadenia nadobudnuté mimo Nemecka neplatia záručné podmienky našich nemeckých spoločností. V krajinách, v ktorých existuje jedna z našich dcérskych spoločností predávajúcej naše výrobky, sa skôr poskytuje záruka iba od tejto dcérskej spoločnosti. Takáto záruka je poskytnutá iba vtedy, keď dcérska spoločnosť vydala vlastné záručné podmienky. Nad rámec uvedeného sa záruka neposkytuje.

Na zariadenia, ktoré boli nadobudnuté v krajinách, v ktorých naše výrobky nepredáva žiadna z našich dcérskych spoločností, záruku neposkytujeme. Prípadné záruky prisľúbené dovozcom zostávajú týmto nedotknuté.

Životné prostredie a recyklácia

Pomôžte chrániť naše životné prostredie. Balenie prístroja je nutné zlikvidovať v súlade s vnútroštátnymi predpismi a ustanoveniami o likvidácii odpadov.

WSKAZÓWKI SPECJALNE

OBSŁUGA

1. Wskazówki ogólne	125
1.1 Wskazówki dotyczące bezpieczeństwa	126
1.2 Inne oznaczenia stosowane w niniejszej dokumentacji	126
1.3 Wskazówki na urządzeniu	126
1.4 Jednostki miar	126
2. Bezpieczeństwo	126
2.1 Użytkowanie zgodne z przeznaczeniem	126
2.2 Ogólne wskazówki dotyczące bezpieczeństwa	126
2.3 Znak kontroli	127
3. Opis urządzenia	127
4. Obsługa	127
4.1 Panel obsługowy	127
4.2 Magazynowanie energii cieplnej	128
4.3 Oddawanie ciepła	129
5. Nastawy	129
5.1 Wskazanie standardowe	129
5.2 Menu podstawowe	129
5.3 Menu konfiguracyjne	129
6. Nastawy w przypadku regulatora temperatury pomieszczenia zamontowanego na ścianie	131
6.1 Wskazanie standardowe	131
6.2 Menu podstawowe	131
6.3 Menu konfiguracyjne	132
7. Czyszczenie i konserwacja	132
7.1 Czyszczenie sitka	132
8. Usuwanie problemów	133

INSTALACJA

9. Bezpieczeństwo	133
9.1 Ogólne wskazówki dotyczące bezpieczeństwa	133
9.2 Przepisy, normy i wymogi	133
10. Opis urządzenia	134
10.1 Zasada działania	134
10.2 Zakres dostawy	134
10.3 Osprzęt	134
11. Przygotowanie	134
11.1 Miejsce montażu	134
11.2 Minimalne odległości	135
12. Montaż	135
12.1 Otwieranie urządzenia	135
12.2 Ustawianie regulacji ładowania	136
12.3 Przyłącze sieciowe / przewody przyłączeniowe	136
12.4 Podłączenie elektryczne	136
12.5 Sposoby montażu	137
12.6 Układanie wkładów akumulujących ciepło	137
12.7 Czyszczenie urządzenia	138
12.8 Zamknięcie urządzenia	138
13. Nastawy	139
13.1 Menu konfiguracyjne	139
14. Uruchomienie	141
14.1 Kontrola przed uruchomieniem	141
14.2 Pierwsze uruchomienie	141

15. Modyfikacja urządzenia	141
16. Przekazanie	141
17. Usuwanie usterek	142
17.1 Tabela usterek	142
17.2 Symbole na tabliczce znamionowej	143
18. Konserwacja i czyszczenie	143
19. Dane techniczne	144
19.1 Wymiary i przyłącza	144
19.2 Schemat połączeń elektrycznych	145
19.3 Ograniczenie mocy przyłączeniowej	146
19.4 Dopasowanie mocy (znamionowy czas ładowania)	146
19.5 Ograniczenie mocy przyłączeniowej przy zachowaniu znamionowego czasu ładowania 8 godzin	146
19.6 Dane dotyczące zużycia energii	147
19.7 Tabela danych	148

GWARANCJA

OCHRONA ŚRODOWISKA NATURALNEGO I RECYCLING

WSKAZÓWKI SPECJALNE

- Niniejszą instrukcję obsługi i instalacji należy starannie przechowywać, tak aby w razie potrzeby mieć do niej dostęp.
- Nie zezwalać dzieciom poniżej 3. roku życia na zbliżanie się do urządzenia, jeśli nie jest możliwy stały nadzór.
- Urządzenie może być włączane i wyłączane przez dzieci w wieku od 3 do 7 lat, jeśli odbywa się to pod nadzorem, lub dzieci zostały poinstruowane o zasadach bezpiecznego korzystania z urządzenia i zrozumiały zagrożenia wynikające z jego użytkowania. Warunkiem jest zamontowanie urządzenia zgodnie z opisem. Dzieci w wieku od 3 do 7 lat nie mogą regulować urządzenia.
- Dzieci w wieku powyżej 8 lat, osoby o obniżonej sprawności ruchowej, sensorycznej lub umysłowej, lub też osoby bez doświadczenia i odpowiedniej wiedzy mogą obsługiwać urządzenie pod nadzorem lub samodzielnie o ile zostały poinstruowane o zasadach bezpiecznego użytkowania urządzenia i rozumieją ewentualne zagrożenia.
- Urządzenie nie może być używane przez dzieci do zabawy. Czyszczenia oraz konserwacji ze strony użytkownika nie wolno powierzać dzieciom bez nadzoru.
- Elementy urządzenia mogą się mocno nagrzać i powodować poparzenia. W obecności dzieci lub osób wymagających opieki należy zachować szczególną ostrożność.
- Podczas pierwszego ładowania może wydziełać się zapach. Zadbaj o właściwą wentylację pomieszczenia.
- Zachować minimalne odległości od powierzchni sąsiadujących obiektów lub innych palnych materiałów (patrz rozdział „Instalacja / Minimalne odstęp”).
- Nie zakrywać urządzenia, aby nie doprowadzić do jego przegrzania.
- Nie odkładać żadnych przedmiotów na urządzeniu ani w jego bezpośredniej bliskości. Nie opierać żadnych przedmiotów o urządzenie.
- Nie montować urządzenia bezpośrednio pod ściennym gniazdkiem elektrycznym.
- Zwrócić uwagę na wartości ładowania znamionowego w rozdziale „Dane techniczne / Tabela danych”.
- Urządzenie zamontować w taki sposób, aby elementy przełączające i regulacyjne nie były dostępne dla osób przebywających w wannie lub w kabinie prysznicowej.
- Podłączenie do sieci elektrycznej dopuszczalne jest wyłącznie w formie przyłącza stałego. Urządzenie musi mieć możliwość odłączania od sieci elektrycznej za pomocą wielobiegunowego wyłącznika z rozwarciem styków wynoszącym min. 3 mm.
- Zamocować urządzenie w sposób opisany w rozdziale „Instalacja / Montaż”.

OBSŁUGA

1. Wskazówki ogólne

Rozdziały „Wskazówki specjalne” i „Obsługa” są przeznaczone dla użytkowników urządzenia i wyspecjalizowanych instalatorów.

Rozdział „Instalacja” przeznaczony jest dla wyspecjalizowanego instalatora.



Wskazówka

Przed przystąpieniem do użytkowania należy dokładnie zapoznać się z niniejszą instrukcją i zachować ją do późniejszego wykorzystania.

W przypadku przekazania produktu innemu użytkownikowi należy załączyć niniejszą instrukcję.

1.1 Wskazówki dotyczące bezpieczeństwa

1.1.1 Struktura wskazówek dotyczących bezpieczeństwa



HASŁO OSTRZEGAWCZE – rodzaj zagrożenia
W tym miejscu określone są potencjalne skutki nieprze-
strzegania wskazówki dotyczącej bezpieczeństwa.

► W tym miejscu są określone środki zapobiegające
zagrożeniu.

1.1.2 Symbole i rodzaje zagrożenia

Symbol	Rodzaj zagrożenia
	Obrażenia ciała
	Porażenie prądem elektrycznym
	Poparzenie (Poparzenie)

1.1.3 Hasła ostrzegawcze

HASŁO OSTRZEGAWCZE	Znaczenie
ZAGROŻENIE	Wskazówki, których nieprze- strzeżenie prowadzi do cięż- kich obrażeń ciała lub śmierci.
OSTRZEŻENIE	Wskazówki, których nieprze- strzeżenie może prowadzić do ciężkich obrażeń ciała lub śmierci.
OSTROŻNIE	Wskazówki, których nieprze- strzeżenie może prowadzić do średnich lub lekkich obrażeń ciała.

1.2 Inne oznaczenia stosowane w niniejszej dokumentacji



Wskazówka

Wskazówki ogólne są oznaczone symbolem umieszczonym obok.

► Należy dokładnie zapoznać się z treścią wskazówek.

Symbol	Znaczenie
	Szkody materialne (uszkodzenia urządzenia, szkody wtórne, szkody dla środowiska naturalnego)
	Utylizacja urządzenia

► Ten symbol informuje o konieczności wykonania jakiejś czynności. Wymagane czynności opisane są krok po kroku.

1.3 Wskazówki na urządzeniu

Symbol	Znaczenie
	Nie zakrywać urządzenia

1.4 Jednostki miar



Wskazówka

Jeśli nie określono innych jednostek, wszystkie wymiary podane są w milimetrach.

2. Bezpieczeństwo

2.1 Użytkowanie zgodne z przeznaczeniem

Urządzenie służy do ogrzewania pomieszczeń mieszkalnych.

Urządzenie przeznaczone jest do użytku w budownictwie mieszkaniowym. Może być bezpiecznie użytkowane przez nieprzeszkolone osoby. Urządzenie może być użytkowane również poza budownictwem mieszkaniowym, np. w budynkach gospodarczych i przemysłowych, pod warunkiem użytkowania zgodnego z przeznaczeniem.

Inne lub wykraczające poza obowiązujące ustalenia użytkowanie traktowane jest jako niezgodne z przeznaczeniem. Do użytkowania zgodnego z przeznaczeniem należy również przestrzeganie niniejszej instrukcji obsługi oraz instrukcji obsługi użytego osprzętu.

2.2 Ogólne wskazówki dotyczące bezpieczeństwa

Przestrzegać poniższych wskazówek dotyczących bezpieczeństwa i przepisów.

- Instalację elektryczną i montaż urządzenia mogą wykonywać wyłącznie wyspecjalizowani instalatorzy lub technicy naszego serwisu na podstawie niniejszej instrukcji.
- Podczas instalacji i pierwszego uruchomienia wyspecjalizowany instalator odpowiedzialny jest za przestrzeganie obowiązujących przepisów.
- Urządzenie należy użytkować wyłącznie w stanie całkowicie zmontowanym i z wszystkimi elementami zabezpieczającymi.



OSTRZEŻENIE - obrażenia ciała

- Nie zezwalać dzieciom poniżej 3. roku życia na zbliżanie się do urządzenia, jeśli nie jest możliwy stały nadzór.
- Urządzenie może być włączane i wyłączane przez dzieci w wieku od 3 do 7 lat, jeśli odbywa się to pod nadzorem, lub dzieci zostały poinstruowane o zasadach bezpiecznego korzystania z urządzenia i zrozumiały zagrożenia wynikające z jego użytkowania. Warunkiem jest zamontowanie urządzenia zgodnie z opisem. Dzieci w wieku od 3 do 7 lat nie mogą regulować urządzenia.
- Dzieci w wieku powyżej 8 lat, osoby o obniżonej sprawności ruchowej, sensorycznej lub umysłowej, lub też osoby bez doświadczenia i odpowiedniej wiedzy mogą obsługiwać urządzenie pod nadzorem lub samodzielnie o ile zostały poinstruowane o zasadach bezpiecznego użytkowania urządzenia i rozumieją ewentualne zagrożenia.
- Urządzenie nie może być używane przez dzieci do zabawy. Czyszczenia oraz konserwacji ze strony użytkownika nie wolno powierzać dzieciom bez nadzoru.



OSTRZEŻENIE - poparzenie

Nie korzystać z urządzenia ...

- jeśli nie są zapewnione minimalne odległości od powierzchni sąsiednich obiektów lub innych materiałów palnych.
- w pomieszczeniach, w których zachodzi ryzyko pożaru lub wybuchu wskutek obecności chemikaliów, pyłów, gazów lub oparów. Przed użyciem urządzenia należy odpowiednio przewietrzyć pomieszczenie.
- Nie montować w bezpośredniej bliskości rur lub pojemników, przewodzących lub zawierających materiały łatwopalne albo wybuchowe.
- jeśli w miejscu ustawienia urządzenia układane są podłogi oraz odbywa się szlifowanie, lakierowanie.
- jeśli uszkodzony jest jakiś element urządzenia lub stwierdzono nieprawidłowość w jego działaniu.



OSTRZEŻENIE - poparzenie

- Nie odkładać palnych, łatwopalnych lub termoizolacyjnych przedmiotów ani materiałów na urządzeniu lub w jego bezpośredniej bliskości. Nie opierać żadnych przedmiotów o urządzenie. Wskutek tego może dochodzić do akumulowania się ciepła, które powoduje nadmierny wzrost temperatury powierzchni obudowy i przedmiotów.
- Zwracać uwagę, aby wlot i wylot powietrza nie był zablokowany.
- Nie umieszczać żadnych przedmiotów między urządzeniem a ścianą.



OSTROŻNIE poparzenie

Powierzchnie obudowy urządzenia i wypływające powietrze mogą rozgrzewać się podczas pracy do wysokich temperatur (powyżej 80°C) i spowodować poparzenia. W obecności dzieci lub osób wymagających opieki należy zachować szczególną ostrożność.



OSTROŻNIE - przegrzanie

Nie zakrywać urządzenia, aby nie doprowadzić do jego przegrzania.

2.3 Znak kontroli

Patrz tabliczka znamionowa na urządzeniu. Tabliczka znamionowa znajduje się na lewej ścianie bocznej urządzenia.

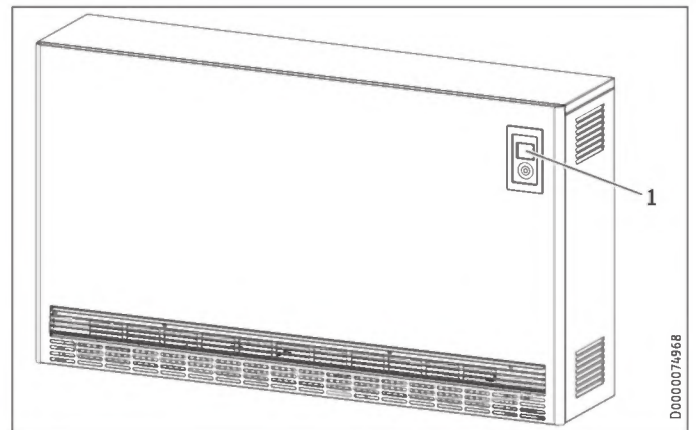
3. Opis urządzenia

Urządzenie służy do magazynowania wytworzonej elektrycznie energii cieplnej. Energia cieplna jest wytwarzana w czasie obowiązywania korzystnej cenowo niskiej taryfy.

Czas obowiązywania niskiej taryfy określa odpowiedni zakład energetyczny. Z reguły niska taryfa obowiązuje w godzinach nocnych.

Nagromadzone ciepło jest oddawane do otoczenia odpowiednio do nastawy temperatury w formie ciepłego powietrza tłoczonego przez dmuchawę oraz w niewielkiej części także poprzez powierzchnię urządzenia.

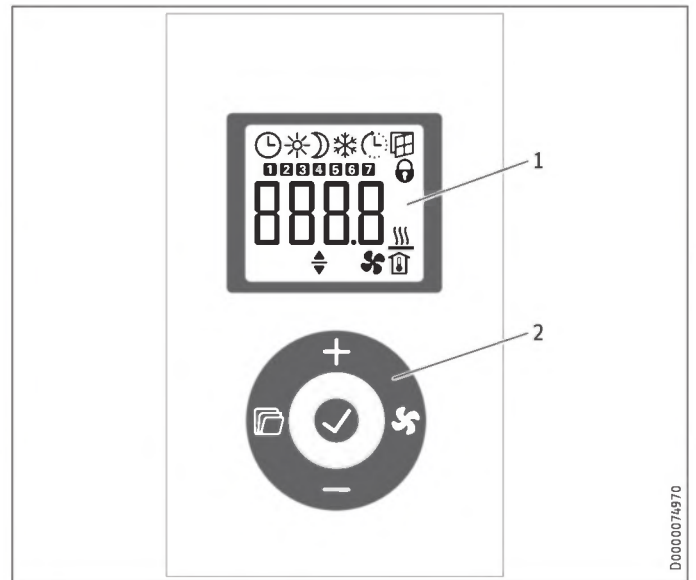
4. Obsługa



1 Panel obsługowy

4.1 Panel obsługowy

Do obsługi służy panel obsługowy znajdujący się z przodu urządzenia, w jego prawym górnym rogu.



1 Wyświetlacz

2 Panel obsługowy

4.1.1 Panel obsługowy

Przycisk	Nazwa	Opis
	Przycisk „Dmuchawa”	Włączanie i wyłączanie aktywacji dmuchawy
	Przycisk „OK”	Wybór; zatwierdzanie nastaw
	Przycisk „Menu”	Wyświetlanie i wychodzenie z menu
	Przycisk „+”	Wybór punktów menu; zmiana nastaw
	Przycisk „-”	Wybór punktów menu; zmiana nastaw

4.1.2 Wyświetlacz

Jeśli przez 20 sekund nie nastąpi żadna reakcja ze strony użytkownika, podświetlenie wyświetlacza wyłączy się. Naciśnięcie dowolnego przycisku spowoduje ponowne włączenie podświetlenia tła.

Symbole



Wskazówka

Jeśli oddawanie ciepła (rozładowanie) regulowane jest przez regulator temperatury pomieszczenia zamontowany na ścianie, nie wszystkie symbole będą wyświetlane.

Symbol	Opis
	Wskazanie godziny: Wskazanie aktualnej godziny lub zaprogramowanej godziny rozpoczęcia Tryb programatora czasowego: Urządzenie grzeje zgodnie z włączonym programem czasowym.
	Tryb komfortowy: Urządzenie utrzymuje nastawioną temperaturę komfortową. Wartość standardowa: 21,0 °C. Ta nastawa służy do utrzymywania komfortowej temperatury pomieszczenia podczas obecności osób.
	Tryb obniżony: Urządzenie utrzymuje nastawioną temperaturę obniżoną. Wartość standardowa: 18,0 °C. Z tej nastawy należy korzystać np. nocą lub podczas nieobecności osób przez kilka godzin.
	Start adaptacyjny: W trybie programatora czasowego czasy przełączania urządzenia grzewczego są dopasowywane w taki sposób, że nastawiona temperatura zadana pomieszczenia jest osiągnięta już o zaprogramowanej godzinie rozpoczęcia. Warunek: włączona jest funkcja „Start adaptacyjny” (patrz rozdział „Nastawy / Menu podstawowe”).
	Wykrywanie otwartego okna Aby uniknąć niepotrzebnego zużycia energii podczas wietrzenia, przy otwartym oknie urządzenie automatycznie obniża nastawioną temperaturę zadana pomieszczenia na jedną godzinę do 7,0°C. Symbol „Wykrywanie otwartego okna” miga. Wykrywanie otwartego okna po wietrzeniu można ręcznie zakończyć przyciskiem „+” lub „OK”. Urządzenie znów grzeje do nastawionej temperatury zadanej pomieszczenia. Warunek: włączone jest wykrywanie otwartego okna (patrz rozdział „Nastawy / Menu podstawowe”).
	Blokada obsługi: W celu zablokowania lub odblokowania panelu obsługowego przytrzymać równocześnie przycisk „+” i „-” przez 5 sekund.
	Aktywowanie ogrzewania dodatkowego (osprzęt): Jeśli ilość ciepła w piecu nie wystarcza już do ogrzania pomieszczenia, dodatkowo pracuje ogrzewanie dodatkowe.
	Wskazanie temperatury pomieszczenia
	Uruchomienie dmuchawy aktywne: Jeśli temperatura pomieszczenia spadnie poniżej nastawionej temperatury zadanej, dmuchawa włączy się i ciepłe powietrze będzie oddawane do pomieszczenia, aż do osiągnięcia temperatury nastawionej.
	Parametr edytowalny: Wyświetlony parametr można zmieniać przyciskiem „+” i „-”.
	Dni tygodnia: 1 = poniedziałek, 2 = wtorek ... 7 = niedziela

4.2 Magazynowanie energii cieplnej

Pokrętko regulacji ładowania umożliwia nastawienie stopnia akumulacji ciepła (ładowania urządzenia).

Wybór właściwego nastawienia zależy od tego, czy stosowane urządzenie posiada centralny sterownik ładowania zależny od warunków atmosferycznych.

Sterownik ładowania zależny od warunków atmosferycznych znajduje się w szafie sterowniczej.

4.2.1 Piec akumulacyjny ze sterownikiem ładowania zależnym od warunków atmosferycznych

- ▶ Za pomocą przycisku „Menu” wyświetlić menu podstawowe i nacisnąć przycisk „OK”.
- ▶ Gdy wyświetlony zostanie symbol „Parametr edytowalny”, przyciskiem „+” i „-” nastawić stopień ładowania na 100%.



Wskazówka

Jeśli oddawanie ciepła (rozładowanie) regulowane jest za pomocą regulatora temperatury pomieszczenia zamontowanego na ścianie, we wskazaniu głównym nastawić stopień ładowania przyciskiem „+” i „-”.

Sterownik ładowania zależny od warunków atmosferycznych steruje właściwym ładowaniem pieca akumulacyjnego.



Wskazówka

Należy przy tym przestrzegać instrukcji obsługi sterownika ładowania lub sterownika grupowego.

Za pomocą osłabiacza stopnia ładowania można ponadto nastawić ręcznie inny stopień ładowania dla poszczególnych urządzeń.

Jeśli stopień ładowania zostanie nastawiony na 0%, ładowanie nie będzie przeprowadzane.

4.2.2 Piec akumulacyjny bez sterownika ładowania zależnego od warunków atmosferycznych

Stopień ładowania nastawia się za pomocą funkcji stopnia ładowania.

- ▶ Za pomocą przycisku „Menu” wyświetlić menu podstawowe i nacisnąć przycisk „OK”.
- ▶ Gdy wyświetlony zostanie symbol „Parametr edytowalny”, przyciskiem „+” i „-” nastawić stopień ładowania.



Wskazówka

Jeśli oddawanie ciepła (rozładowanie) regulowane jest za pomocą regulatora temperatury pomieszczenia zamontowanego na ścianie, we wskazaniu głównym nastawić stopień ładowania przyciskiem „+” i „-”.

Obowiązują tutaj następujące wartości orientacyjne:

Wartość	Stopień ładowania
0 %	bez ładowania (latem)
30 %	ok. 1/3 pełnego ładowania w okresach przejściowych, takich jak wiosna lub jesień
70 %	ok. 2/3 pełnego ładowania w dni łagodnej zimy
100 %	pełne ładowanie w zimne dni zimowe

Po krótkim okresie przystosowawczym i zdobyciu odpowiedniego doświadczenia znalezienie odpowiedniego nastawienia urządzenia nie sprawia już trudności.

4.3 Oddawanie ciepła

Oddawanie ciepła (rozładowanie) jest regulowane przez regulator temperatury pomieszczenia wbudowany w urządzenie lub 2-punktowy regulator temperatury pomieszczenia zamontowany na ścianie (patrz rozdział „Osprzęt”).

Regulator temperatury pomieszczenia reguluje automatycznie proces oddawania ciepła poprzez dmuchawę, aby w pomieszczeniu utrzymać nastawioną temperaturę zadaną pomieszczenia. Aby dmuchawa mogła pracować, włączone musi być uruchomienie dmuchawy.



Wskazówka

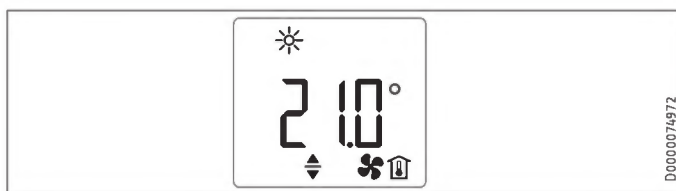
W przypadku kilkudniowej nieobecności w sezonie grzewczym sensowne jest nastawienie obniżonej temperatury pomieszczenia, np. 10°C. Pozwoli to na uniknięcie zbyt silnego wychłodzenia pomieszczenia (ochrona przed zamarzaniem).

4.3.1 Włączanie i wyłączanie aktywacji dmuchawy

▶ Aby włączyć i wyłączyć uruchomienie dmuchawy, nacisnąć przycisk „Dmuchawa”. Przy włączonym uruchomieniu dmuchawy we wskazaniu pokazywany jest „symbol dmuchawy”.

5. Nastawy

5.1 Wskazanie standardowe



Wskazanie standardowe jest wyświetlane na stałe. Jeśli wyświetlone jest menu i przez 20 sekund nie zostanie wykonana żadna czynność obsługowa, urządzenie automatycznie przejdzie do wskazania standardowego.

We wskazaniu standardowym wyświetlana jest aktualna temperatura zadana pomieszczenia oraz symbol „Parametr edytowalny”. Przyciskiem „+” i „-” można zmienić temperaturę zadaną pomieszczenia.

Jeśli nastawiona temperatura zadana pomieszczenia odpowiada jednej z nastawionych wartości temperatury komfortowej lub obniżenia, na pasku menu wyświetlany jest symbol odpowiedniego trybu pracy (temperatura komfortowa, tryb obniżony).

Temperaturę zadaną pomieszczenia można zmieniać również ręcznie, w trybie programatora czasowego. Zmieniona temperatura zadana pomieszczenia pozostanie zachowana do następnego za-programowanego czasu przełączenia.

5.2 Menu podstawowe

Aby przejść do menu podstawowego, nacisnąć krótko przycisk „Menu”. Teraz można wyświetlić następujące punkty menu:

Wyświetlacz	Opis
	Nastawianie stopnia ładowania. Dla dni, w które jest mniejsze zapotrzebowanie ciepła, można ręcznie dostosować stopień ładowania w krokach co 10%.
	Nastawianie dnia tygodnia i godziny
	Nastawianie temperatury komfortowej Nastawiona temperatura komfortowa musi być przynajmniej o 0,5°C wyższa od temperatury obniżonej.
	Nastawianie temperatury obniżonej Nastawiona temperatura obniżona musi być przynajmniej o 0,5 °C niższa od temperatury komfortowej.
	Włączanie i wyłączanie funkcji „Wykrywanie otwartego okna”
	Wybór programu czasowego (Pro1, Pro2, Pro3) lub jego wyłączenie (off)
	Włączanie i wyłączanie funkcji „Start adaptacyjny”
	Włączanie i wyłączanie ogrzewania dodatkowego (wyposażenie dodatkowe)

Aby zmienić nastawę punktu menu, wyświetlić odpowiedni punkt menu przyciskiem „+” i „-”. Nacisnąć przycisk „OK”.

Gdy wyświetlony zostanie symbol „Parametr edytowalny”, przyciskiem „+” i „-” można zmienić nastawę punktu menu. Aby zapisać nastawy, nacisnąć przycisk „OK”.

Aby wyjść z menu podstawowego, nacisnąć przycisk „Menu”. Wyświetlone zostanie wskazanie standardowe.

5.3 Menu konfiguracyjne

Wyświetlacz	Opis
I1-I2	Wartości rzeczywiste
Pro1-Pro3	Programy czasowe
P1-P5	Parametry
CodE	Dostęp dla wyspecjalizowanego instalatora

W menu konfiguracyjnym można wyświetlać wartości rzeczywiste, programować programy czasowe dla trybu programatora czasowego i nastawiać parametry.

Aby przejść do menu konfiguracyjnego, przytrzymać przycisk „Menu”. Po ok. 3 sekundach wyświetlana jest wartość rzeczywista I1.

Przyciskiem „+” i „-” można przechodzić między poszczególnymi wartościami rzeczywistymi, programami czasowymi i parametrami.

Aby wyjść z menu konfiguracyjnego, nacisnąć przycisk „Menu”. Wyświetlone zostanie wskazanie standardowe.

5.3.1 Wartości rzeczywiste

Można wyświetlić następujące wartości rzeczywiste:

Wyświetlacz	Opis	Jednostka
I1	Rzeczywista temperatura pomieszczenia	[°C] [°F]
I2	Względny czas grzania (Za pomocą parametru P5 można wyzerować licznik.)	[h]



Wskazówka

Licznik względnego czasu grzania (I2) zlicza czas ładowania w pełnych godzinach. Jeśli urządzenie było ładowane przez pełną godzinę, również w sposób przerywany, zwiększana jest wartość licznika.

5.3.2 Programy czasowe

W celu korzystania z urządzenia w trybie programatora czasowego dostępne są trzy programy czasowe. Programy czasowe Pro1 i Pro2 są fabrycznie skonfigurowane. Program czasowy Pro3 można nastawić zgodnie z indywidualnymi potrzebami.

Wyświetlacz	Opis
Pro1	Program czasowy „codziennie” - powtarzanie: od poniedziałku do niedzieli
Pro2	Program czasowy „dni robocze” - powtarzanie: od poniedziałku do piątku
Pro3	Program czasowy „zdefiniowany przez użytkownika” - do 14 faz komfortowych z możliwością dowolnej konfiguracji



Wskazówka

Chcąc korzystać z trybu programatora czasowego, w menu podstawowym należy wybrać żądany program czasowy (patrz rozdział „Nastawy / Menu podstawowe”).



Wskazówka

Przy nastawianiu programów czasowych należy zwrócić uwagę, aby dzień tygodnia i godzina były prawidłowo nastawione.



Wskazówka

Zasada obowiązująca dla wszystkich programów czasowych (Pro1, Pro2, Pro3):
Jeśli godzina zakończenia przekracza godzinę 23:59, godzina zakończenia zostanie automatycznie przesunięta na następny dzień tygodnia. Faza komfortowa jest utrzymywana przez północ i kończy się następnego dnia o nastawionej godzinie zakończenia.

Program czasowy Pro1 i Pro2

Program czasowy Pro1 i Pro2 pozwala na określenie godziny rozpoczęcia i zakończenia trybu komfortowego. W tym przedziale czasu urządzenie grzeje do nastawionej temperatury komfortowej. Poza tym okresem czasu urządzenie pracuje w trybie obniżonym. Z takiego układu wynika faza komfortowa i obniżona, która powtarza się codziennie (Pro1) bądź każdego dnia roboczego (Pro2).

Te fazy skonfigurowane są fabrycznie w następujący sposób:

- godz. 08:00 – godz. 22:00: Tryb komfortowy
- godz. 22:00 – godz. 08:00: Tryb obniżony



Wskazówka

Przy aktywowanym programie czasowym Pro2 urządzenie pracuje w weekend wyłącznie w trybie obniżonym.

Aby dopasować programy czasowe Pro1 i Pro2 do własnych potrzeb, należy postępować następująco:

- ▶ W menu konfiguracyjnym wybrać przyciskiem „+” i „-” żądany program czasowy.
- ▶ Nacisnąć przycisk „OK”. Wyświetlona zostanie godzina rozpoczęcia trybu komfortowego.
- ▶ Nastawić żądaną godzinę rozpoczęcia przyciskiem „+” i „-”.
- ▶ Nacisnąć przycisk „OK”. Wyświetlona zostanie godzina zakończenia trybu komfortowego.
- ▶ Nastawić żądaną godzinę zakończenia przyciskiem „+” i „-”.
- ▶ W celu zatwierdzenia nacisnąć przycisk „OK”.

Program czasowy Pro3

Z pomocą programu czasowego Pro3 można określić do 14 oddzielnych faz komfortowych, które powtarzają się co tydzień.

Aby skonfigurować fazę komfortową w programie czasowym Pro3, postępować następująco:

- ▶ W menu konfiguracyjnym wybrać przyciskiem „+” i „-” żądany program czasowy Pro3.
- ▶ Nacisnąć przycisk „OK”. Na ekranie widoczne jest wskazanie „3---”.
- ▶ Nacisnąć przycisk „OK”. Wyświetlony zostanie dzień tygodnia bądź grupa dni tygodnia.
- ▶ Nastawić przyciskiem „+” i „-” żądany dzień tygodnia bądź żądaną grupę dni tygodnia.
- ▶ Nacisnąć przycisk „OK”. Wyświetlona zostanie godzina rozpoczęcia trybu komfortowego.
- ▶ Nastawić żądaną godzinę rozpoczęcia przyciskiem „+” i „-”.
- ▶ Nacisnąć przycisk „OK”. Wyświetlona zostanie godzina zakończenia trybu komfortowego.
- ▶ Nastawić żądaną godzinę zakończenia przyciskiem „+” i „-”.
- ▶ Nacisnąć przycisk „OK”. Faza komfortowa „3-01” jest skonfigurowana.
- ▶ Aby skonfigurować kolejną fazę komfortową, wybrać w programie czasowym Pro3 wskazanie „3---” przyciskiem „+” i „-”. Postępować zgodnie z opisem.

**Wskazówka**

Zaprogramowane fazy komfortowe można zresetować, uaktywniając parametr P4.

- ▶ Uaktywnienie parametru P4 skutkuje przywróceniem nastawy fabrycznej wszystkich programów czasowych (Pro1, Pro2, Pro3).

5.3.3 Parametry

Można wyświetlić następujące parametry:

Wyświetlacz	Opis	Opcje
P1	Margines temperatury pomieszczenia	± 3 °C ± 5 °F
P2	Format godziny	12 h 24 h
P3	Jednostka wskazania temperatury	°C °F
P4	Reset programów czasowych (tryb programatora czasowego)	on off
P5	Reset względnego czasu grzania	on off

Aby zmienić wartość parametru, wybrać odpowiedni parametr przyciskiem „+” i „-”. Nacisnąć przycisk „OK”.

Gdy wyświetlony zostanie symbol „Parametr edytowalny”, przyciskiem „+” i „-” można zmienić wartość parametru. Aby zapisać nastawioną wartość, nacisnąć przycisk „OK”.

P1: Margines temperatury pomieszczenia

Nierównomierny rozkład temperatury w pomieszczeniu może prowadzić do różnicy między wyświetlaną temperaturą rzeczywistą I1, a temperaturą pomieszczenia zmierzoną przez użytkownika. Aby wyrównać tę różnicę, za pomocą parametru P1 można nastawić tolerancję temperatury pomieszczenia równy ± 3 °C.

Przykład: Urządzenie wskazuje I1 = 21,0 °C. Temperatura zmierzona przez użytkownika wynosi 20,0 °C. Występuje różnica 1,0 °C.

- ▶ Aby wyrównać różnicę, należy nastawić tolerancję P1 = -1,0.

P2: Format godziny

Parametr P2 pozwala określić, czy godzina wyświetlana będzie w formacie 12-godzinnym, czy też 24-godzinnym.

P3: Jednostka wskazania temperatury

Za pomocą parametru P3 można określić, czy temperatura będzie wyświetlana w stopniach Celsjusza [°C], czy też w stopniach Fahrenheita [°F].

P4: Reset programów czasowych

Aktywacja parametru P4 powoduje przywrócenie nastaw fabrycznych wszystkich programów czasowych.

P5: Reset względnego czasu grzania

Poprzez aktywację parametru P5 resetuje się licznik względnego czasu grzania (I2).

5.3.4 Dostęp dla wyspecjalizowanego instalatora

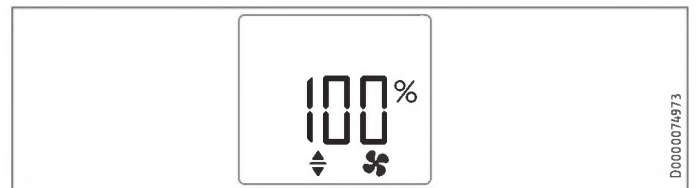
Wyświetlacz	Opis
CodE	Dostęp dla wyspecjalizowanego instalatora

**Wskazówka**

Niektóre punkty menu zabezpieczone są kodem i tylko wyspecjalizowany instalator może przeglądać je i nastawiać.

6. Nastawy w przypadku regulatora temperatury pomieszczenia zamontowanego na ścianie**Wskazówka**

Jeśli oddawanie ciepła (rozładowanie) jest regulowane przez regulator temperatury pomieszczenia zamontowany na ścianie, w urządzeniu dostępne są tylko bardzo ograniczone możliwości nastaw.

6.1 Wskazanie standardowe

Wskazanie standardowe jest wyświetlane na stałe. Jeśli wyświetlone jest menu i przez 20 sekund nie zostanie wykonana żadna czynność obsługowa, urządzenie automatycznie przejdzie do wskazania standardowego.

We wskazaniu standardowym wyświetlana jest aktualna nastawa stopnia ładowania oraz symbol „Parametr edytowalny”. Za pomocą przycisku „+” i „-” można ręcznie dostosować stopień ładowania w krokach co 10% dla dni, w których występuje mniejsze zapotrzebowanie ciepła.

6.2 Menu podstawowe**Wskazówka**

Menu podstawowe można wyświetlić tylko wtedy, gdy urządzenie jest wyposażone w ogrzewanie dodatkowe (osprzęt).

Aby przejść do menu podstawowego, nacisnąć krótko przycisk „Menu”.

Wyświetlacz	Opis
off	Włączanie i wyłączenie ogrzewania dodatkowego (osprzęt) Również w przypadku regulatora temperatury pomieszczenia zamontowanego na ścianie z przetłaczniakiem ogrzewania dodatkowego ogrzewanie dodatkowe musi być włączone w menu podstawowym.

Chcąc zmienić nastawę punktu menu, nacisnąć przycisk „OK”.

Gdy wyświetlony zostanie symbol „Parametr edytowalny”, przyciskiem „+” i „-” można zmienić nastawę punktu menu. Aby zatwierdzić nastawę, nacisnąć przycisk „OK”.

Aby wyjść z menu podstawowego, nacisnąć przycisk „Menu”. Wyświetlone zostanie wskazanie standardowe.

6.3 Menu konfiguracyjne

Wyświetlacz	Opis
I2	Wartość rzeczywista
P5	Parametry
CodE	Dostęp dla wyspecjalizowanego instalatora

Aby przejść do menu konfiguracyjnego, przytrzymać przycisk „Menu”. Po ok. 3 sekundach wyświetlana jest wartość rzeczywista I2.

Przyciskiem „+” i „-” można przechodzić między wartością rzeczywistą a parametrem.

Aby wyjść z menu konfiguracyjnego, nacisnąć przycisk „Menu”. Wyświetlone zostanie wskazanie standardowe.

6.3.1 Wartość rzeczywista

Wyświetlacz	Opis	Jednostka
I2	Względny czas grzania (Za pomocą parametru P5 można wyzerować licznik.)	[h]



Wskazówka

Licznik względnego czasu grzania (I2) zlicza czas ładowania w pełnych godzinach. Jeśli urządzenie było ładowane przez pełną godzinę, również w sposób przerywany, zwiększana jest wartość licznika.

6.3.2 Parametry

Wyświetlacz	Opis	Opcje
P5	Resetowanie względnego czasu grzania Poprzez aktywację parametru resetuje się licznik względnego czasu grzania (I2).	on off

Chcąc zmienić nastawę parametru, nacisnąć przycisk „OK”.

Gdy wyświetlony zostanie symbol „Parametr edytowalny”, przyciskiem „+” i „-” można zmienić nastawę parametru. Aby zatwierdzić nastawę, nacisnąć przycisk „OK”.

6.3.3 Dostęp dla wyspecjalizowanego instalatora

Wyświetlacz	Opis
CodE	Dostęp dla wyspecjalizowanego instalatora



Wskazówka

Niektóre punkty menu zabezpieczone są kodem i tylko wyspecjalizowany instalator może przeglądać je i nastawiać.

7. Czyszczenie i konserwacja



Szkody materialne

- Do otworu wentylacyjnego nie przyskać środków czyszczących w aerozolu.
- Uważać, aby do urządzenia nie przedostała się wilgoć.

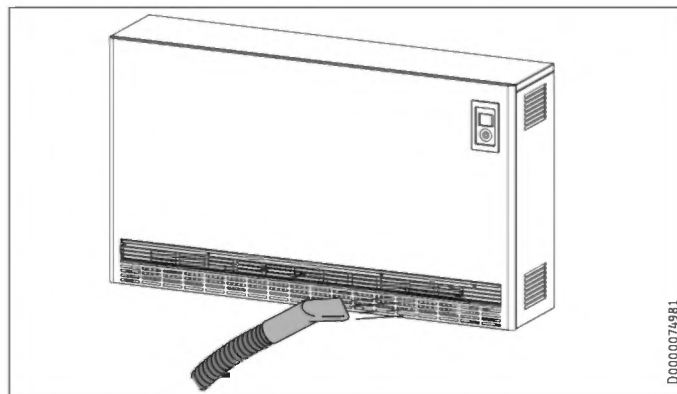
- Jeżeli na obudowie urządzenia wystąpią nieznaczne brązowe przebarwienia, należy je zetrzeć wilgotną ściereczką.
- Urządzenie należy czyścić, gdy jest schłodzone, przy użyciu standardowych środków czyszczących. Unikać żrących środków czyszczących o właściwościach szorujących.

7.1 Czyszczenie sitka



Wskazówka

W regularnych odstępach należy czyścić sitko zamontowane za wlotem powietrza. Zapewni to płynne oddawanie ciepła przez urządzenie. Gdy sitko jest zapchane, dmuchawy należy wyłączyć. Należy wyłączyć dmuchawy.



- Sitko zamontowane za wlotem powietrza czyścić odkurzaczem.

8. Usuwanie problemów

Problem	Przyczyna	Usuwanie
Urządzenie nie rozgrzewa się.	Nie nastawiono poziomu ładowania lub wybrano za niski poziom ładowania. W urządzeniu nastawiona jest za niska temperatura.	Nastawić wyższy stopień ładowania. Sprawdzić nastawioną temperaturę pomieszczenia. W razie potrzeby wyregulować.
	Uruchomienie dmuchawy jest wyłączone.	Włączyć uruchomienie dmuchawy.
	Brak zasilania energią elektryczną.	Sprawdź bezpiecznik i wyłącznik różnicowo-prądowy w instalacji domowej.
Pomieszczenie nie jest dostatecznie ogrzewane, mimo że urządzenie nagrzewa się.	Przeegrzanie. Ogranicznik temperatury bezpieczeństwa ogranicza moc grzewczą. Zapotrzebowanie pomieszczenia na ciepło przekracza moc urządzenia.	Usunąć przyczynę (brud lub przeszkody we wlocie lub wylocie powietrza). Zwrócić uwagę na minimalne odległości! Zlikwidować straty ciepła (Zamknąć okna i drzwi. Unikać ciągłego wietrzenia.)
Urządzenie oddaje zbyt dużo energii cieplnej również podczas niezbyt chłodnych dni.	Niewłaściwe nastawienie sterownika ładowania lub/i niewłaściwy regulator ładowania.	Zmodyfikuj nastawy.
W pomieszczeniu jest za ciepło.	W urządzeniu nastawiona jest za wysoka temperatura.	Sprawdzić nastawioną temperaturę pomieszczenia. W razie potrzeby wyregulować.
Urządzenie nie oddaje ciepła.	Sitko jest zapchane.	Patrz rozdział „Czyszczenie i konserwacja”.
Funkcja wykrywania otwartego okna nie reaguje.	Urządzenie nie wykrywa znacznego spadku temperatury wskutek wietrzenia. (Funkcja wykrywania otwartego okna zakłada wcześniejszą stabilną temperaturę pomieszczenia.)	Po wprowadzeniu nastaw w urządzeniu odczekać przez chwilę, aż temperatura pomieszczenia całkowicie się ustabilizuje. Unikać przeszkód w wymianie powietrza między urządzeniem a powietrzem w pomieszczeniu. Zablokować dmuchawę na czas wietrzenia.
	Wykrywanie otwartego okna nie jest uaktywnione.	Włączyć w menu podstawowym funkcję wykrywania otwartego okna.
Funkcja „Start adaptacyjny” nie działa zgodnie z oczekiwaniami.	Funkcja jest skuteczna tylko w trybie programatora czasowego. Temperatura pomieszczenia znacznie się waha bądź proces programowania urządzenia nie jest zakończony.	Korzystać z trybu programatora czasowego, aby uzyskać optymalny komfort grzewczy. Odczekać kilka dni, aż reakcja ustabilizuje się.
	Funkcja „Start adaptacyjny” nie jest uaktywniona.	Włączyć w menu podstawowym funkcję „Start adaptacyjny”.
Na ekranie widoczne jest wskazanie „E1”, „E2” lub „E3”.	Wykryto błąd wewnętrzny.	Powiadomić wyspecjalizowanego instalatora.



Wskazówka

Efekty zmiany nastaw lub usunięć w sterowniku ładowania są widoczne dopiero przy kolejnym procesie ładowania.

Jeśli nie można usunąć przyczyny usterki, należy wezwać wyspecjalizowanego instalatora. W celu usprawnienia i przyspieszenia pomocy należy podać numer urządzenia z tabliczki znamionowej (000000-0000-000000).

INSTALACJA

9. Bezpieczeństwo

Instalacja, uruchomienie, jak również konserwacja i naprawa urządzenia mogą być wykonane wyłącznie przez wyspecjalizowanego instalatora.

9.1 Ogólne wskazówki dotyczące bezpieczeństwa

Producent zapewnia prawidłowe działanie i bezpieczeństwo eksploatacji tylko w przypadku stosowania oryginalnego osprzętu, przeznaczonego do tego urządzenia, oraz oryginalnych części zamiennych.

9.2 Przepisy, normy i wymagania



OSTRZEŻENIE - porażenie prądem elektrycznym
Wszystkie elektryczne prace przyłączeniowe i instalacyjne należy wykonywać zgodnie z przepisami.



OSTRZEŻENIE - porażenie prądem elektrycznym
Podłączenie do sieci elektrycznej dopuszczalne jest wyłącznie w formie przyłącza stałego. Urządzenie musi mieć możliwość odłączania od sieci elektrycznej za pomocą wielobiegunowego wyłącznika z rozwarciem styków wynoszącym min. 3 mm.



Szkody materialne
Zwrócić uwagę na treść tabliczki znamionowej. Podane napięcie musi być zgodne z napięciem sieciowym. Wyposażenie należy dostosować do poboru znamionowego urządzenia.



Szkody materialne
Urządzenie należy przymocować stabilnie na ścianie lub podłodze.

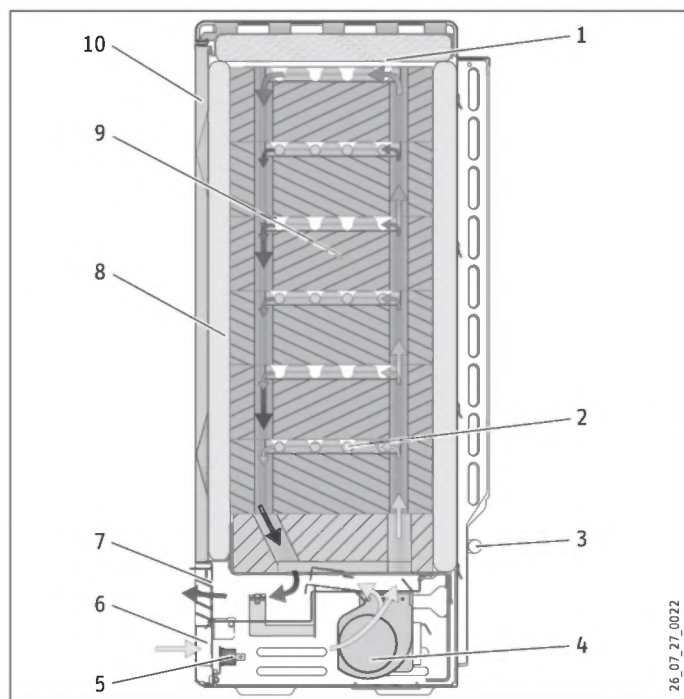


Szkody materialne
- Nie montować urządzenia bezpośrednio pod gniazdem elektrycznym.
- Zwrócić uwagę na to, aby przewód przyłączeniowy nie stykał się z żadnymi elementami urządzenia.



Szkody materialne
Należy przestrzegać krajowych i lokalnych przepisów oraz wymogów.

10. Opis urządzenia



- 1 Osłona blaszana
- 2 Grzałka
- 3 Czujnik temperatury pomieszczenia
- 4 Dmuchawa (M1)
- 5 Regulator temperatury (N5)
- 6 Wlot powietrza
- 7 Wylot powietrza
- 8 Izolacja
- 9 Wkłady akumulujące ciepło
- 10 Ściana przednia i wewnętrzna ściana przednia

10.1 Zasada działania

Wkłady akumulujące ciepło są ogrzewane za pomocą umieszczonych pomiędzy nimi grzałek. Proces ładowania można regulować pokrętkiem regulacji. Godzinę rozpoczęcia oraz czas trwania ładowania określa właściwy zakład energetyczny.

Dwa wbudowane ochronne regulatory temperatury i ogranicznik temperatury bezpieczeństwa zabezpieczają urządzenie przed przegrzaniem. Po usunięciu usterki ochronne regulatory temperatury włączają się samoczynnie, natomiast ogranicznik temperatury bezpieczeństwa należy włączyć ręcznie, naciskając przycisk umieszczony pośrodku ogranicznika.

Nagromadzona energia cieplna jest oddawana do pomieszczenia za pomocą dmuchawy, a częściowo także przez powierzchnię urządzenia. W tym celu dmuchawa zasysa powietrze przez otwór wlotu powietrza, przetłacza je przez kanały powietrzne wkładów akumulujących ciepło, podgrzewając je przy tym.

Przed wylotem na zewnątrz przez kratkę wylotową podgrzane powietrze jest mieszane przy użyciu dwóch klap powietrza z chłodniejszym powietrzem z pomieszczenia, aby temperatura wypływającego powietrza nie przekroczyła maksymalnej wartości. Nastawianiem klapy powietrza, a tym samym proporcją mieszania powietrza steruje regulator bimetaliczny.

10.2 Zakres dostawy

Z urządzeniem dostarczane są:

- Wkłady akumulujące ciepło

10.3 Osprzęt

- 2-punktowy regulator temperatury pokojowej (regulator rozładowania)
- Ogrzewanie dodatkowe
- Zestaw montażowy DC Control Input (sygnał sterujący DC)

11. Przygotowanie



Szkody materialne

Należy upewnić się, że między wszystkimi przyłączami strony napięcia sieciowego L, L1 i poszczególnymi sygnałami sterującymi SL, A1, A2, LF, SH, LE i LH zachowana jest różnica potencjałów wynosząca maks. 230 V.



Wskazówka

Do zacisków L i N listwy zaciskowej X2 doprowadzone musi być napięcie ciągłe.



Wskazówka

W przypadku podłączania pieca akumulacyjnego do automatycznego sterownika ładowania (np. EAC 4) sterownik ładowania do elektronicznych regulatorów ładowania musi być nastawiony bez korekty napięcia.

11.1 Miejsce montażu



OSTRZEŻENIE - poparzenie

- Ściana, przy której urządzenie ma być zamontowane, musi posiadać odporność termiczną wynoszącą min. 85 °C, a posadzka 80 °C.
- Zachować minimalne odległości od sąsiednich powierzchni obiektów.



Wskazówka

Jeśli piec akumulacyjny zostanie ustawiony w pomieszczeniach, w których występują spaliny, opary oleju lub benzyny itd. lub w których podczas prac wykorzystywane są rozpuszczalniki i środki chemiczne, wskutek eksploatacji urządzenia przez dłuższy czas może utrzymywać się nieprzyjemny zapach, jak również może dojść do zanieczyszczenia urządzenia.



Szkody materialne

Piec akumulacyjny musi być ustawiony w jednej płaszczyźnie ze ścianą.

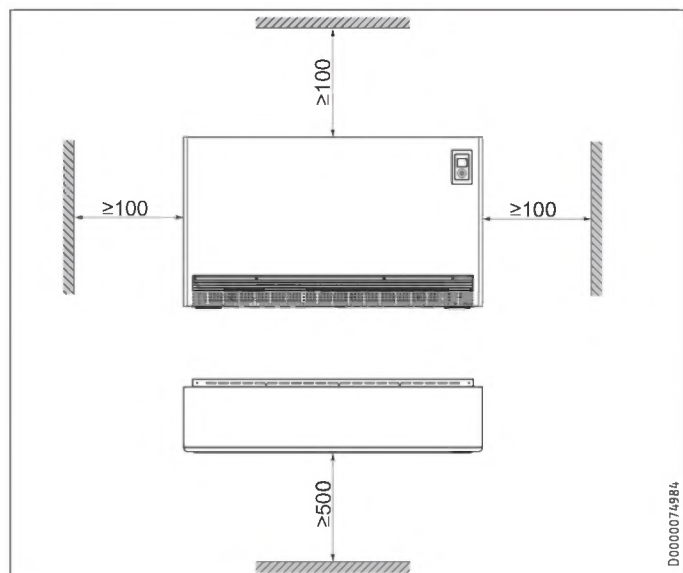
Powierzchnia ustawienia pieca musi być równa i dostatecznie nośna. Informacje na temat masy urządzenia podane są w rozdziale „Dane techniczne / Tabela danych”.

- W razie wątpliwości skontaktować się z rzeczoznawcą budowlanym.

Urządzenia mogą zostać ustawione na każdej standardowej podłodze, jednak w okolicy pólz na podłogach z PCW, parkiecie i wykładzinach dywanowych z długim bądź wysokim włosiem pod wpływem nacisku i ciepła mogą pojawiać się zmiany. W takich przypadkach należy zastosować podkłady z płyt odpornych na ciepło (do nabycia we własnym zakresie).

Aby zapewnić stabilność urządzenia, należy je przymocować do ściany lub posadzki (patrz rozdział „Montaż / Sposoby montażu”).

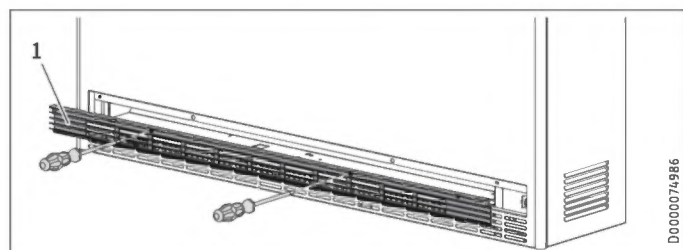
11.2 Minimalne odległości



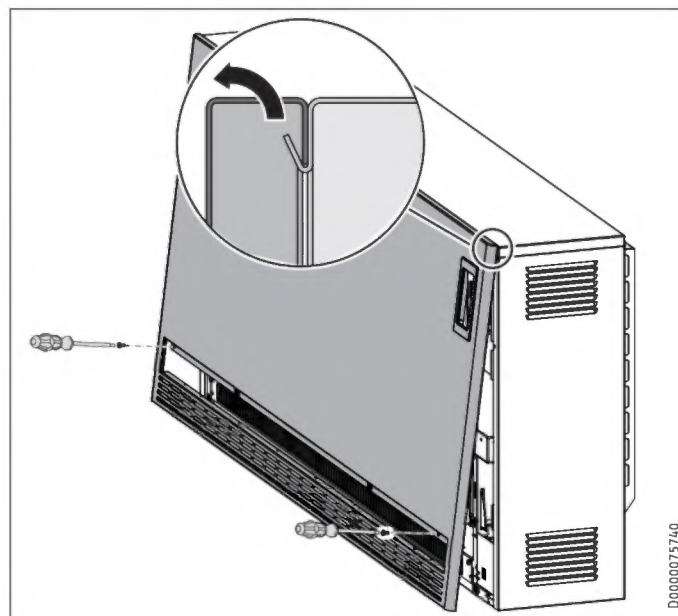
- ▶ Należy zapewnić płynną wymianę energii cieplnej między urządzeniem a otoczeniem.

12. Montaż

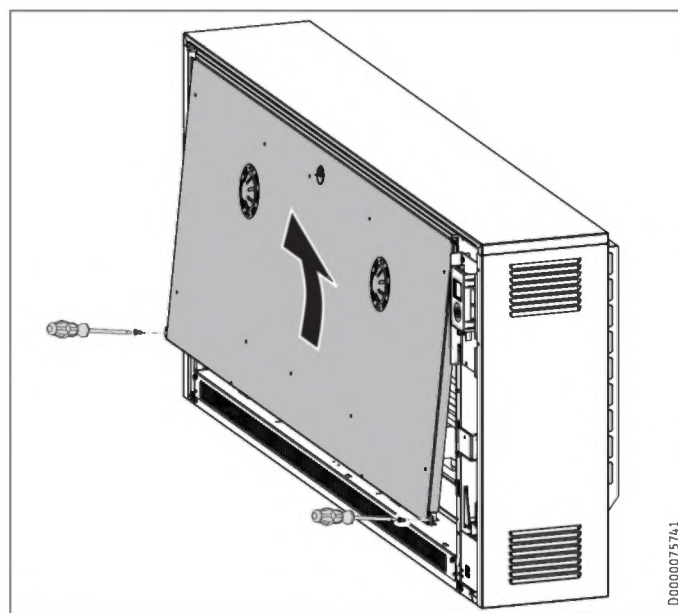
12.1 Otwieranie urządzenia



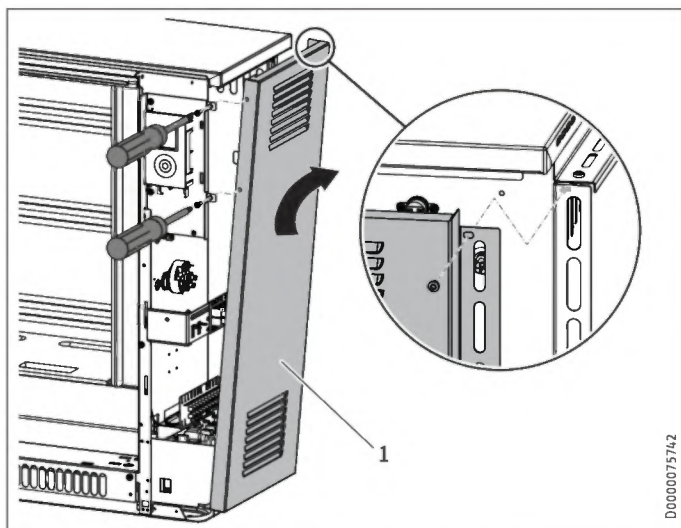
- 1 Kratka wylotu powietrza
- ▶ Poluzować oba zamknięcia obrotowe 1/4 kratki wylotu powietrza i zdjąć kratkę.



- ▶ Odkręcić śruby ściany przedniej.
- ▶ Pociągnąć ścianę przednią do przodu i zdjąć ją.



- ▶ Odkręć wkręty mocujące wewnętrzną przednią ściankę znajdującą się w dolnym zagięciu.
- ▶ Pociągnąć wewnętrzną ścianę przednią do przodu i zdjąć ją.



- 1 Prawa boczna ścianka (po odkręceniu wkrętów)
- ▶ Poluzować 3 śruby z przodu i z tyłu przy prawej ścianie bocznej.
 - ▶ Pociągnąć ścianę boczną nieco do przodu i przechylić ją u góry na bok.
 - ▶ Unieść lekko ścianę boczną i zdjąć ją.

12.2 Ustawianie regulacji ładowania



Wskazówka

Należy przestrzegać poniższych wskazówek. W zależności od miejsca i sposobu montażu wykonanie ustawień po montażu może się okazać utrudnione.

12.2.1 Ograniczenie mocy przyłączeniowej

Fabrycznie przyłącze urządzenia jest okablowane na podłączenie mocy maksymalnej (100%).

Poprzez zmianę położenia lub usunięcie mostków na zaciskach przyłączeniowych moc przyłączeniową można zmniejszyć o trzy stopnie mocy (patrz rozdział „Dane techniczne / Ograniczenie mocy przyłączeniowej”).

Przy doborze średnicy przewodów i zabezpieczeń należy uwzględnić maksymalną moc urządzenia.



Wskazówka

Przestrzegać przepisów właściwego zakładu energetycznego.

12.2.2 Dopasowanie mocy przy wydłużonym znamionowym czasie ładowania

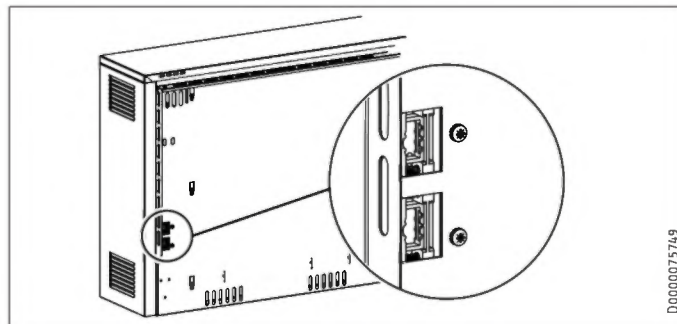
Poprzez przełożenie lub usunięcie mostków z zacisków przyłączeniowych można dopasować moc przyłączeniową do określonego przez zakład energetyczny znamionowego czasu ładowania. Fabrycznie piec akumulacyjny jest nastawiony na znamionowy czas ładowania równy 8 godzinom.

- ▶ Należy przy tym przestrzegać wskazówek zawartych w rozdziale „Dane techniczne - Dopasowanie mocy”.

12.2.3 Podłączenie do stałonapięciowego sygnału sterującego

Jeśli w instalacji zamontowany jest sterownik ładowania z sygnałem sterującym (napięcie stałe 0,91 V – 1,43 V), niezbędny jest zestaw montażowy DC Control Input (osprzęt). Sygnał sterujący DC musi zostać doprowadzony do zacisków A1/Z1 „DC + (biegun dodatni)” i A2/Z2 „DC - (biegun ujemny)” na listwie zaciskowej X3. Zwrócić uwagę na biegunowość.

12.3 Przyłącze sieciowe / przewody przyłączeniowe



OSTRZEŻENIE - porażenie prądem elektrycznym

▶ Przed wykonywaniem jakichkolwiek czynności w urządzeniu należy odłączyć od napięcia przewody przyłączeniowe w skrzynce rozdzielczej.

- ▶ Przeprowadzić sieciowe i pozostałe przewody przyłączeniowe regulatora ładowania i rozładowania przez otwory znajdujące się w ścianie tylnej urządzenia, po czym podłączyć je (patrz rozdział „Dane techniczne / Schemat połączeń”).
- ▶ Zastosować przewody przyłączeniowe o długości ok. 260 mm, a w razie potrzeby je odpowiednio skrócić. Przewody nie mogą przylegać do otworów wentylacyjnych w ścianie bocznej.

12.4 Podłączenie elektryczne

12.4.1 Informacje ogólne



OSTRZEŻENIE - porażenie prądem elektrycznym

W przypadku podłączenia pieca akumulacyjnego do automatycznego sterownika ładowania na zaciskach „A1/Z1” i „A2/Z2” może występować napięcie, także przy wyjętych bezpiecznikach.

Grzałki należy podłączyć do sieci elektrycznej o napięciu 400 V (3/N/PE). Za pomocą zestawu montażowego do podłączenia jednofazowego (wyposażenie dodatkowe) możliwe jest również podłączenie do sieci o napięciu 230 V (1/N/PE).

Można również wykonać przyłącze przewodem NYM. Ilość przewodów zasilających i żył oraz ich przekroje zależą od mocy przyłączeniowej urządzenia, rodzaju przyłącza i stosownych przepisów zakładu energetycznego.

Zwrócić uwagę na schemat połączeń elektrycznych i stopnie mocy (patrz rozdział „Dane techniczne”).

12.4.2 Podłączenie urządzenia



OSTRZEŻENIE - porażenie prądem elektrycznym
Należy zapewnić właściwe przyłączenie przewodu ochronnego.



OSTRZEŻENIE - porażenie prądem elektrycznym
Przewody przyłączeniowe nie mogą zostać uszkodzone, odłączone lub wyjęte z urządzenia.
▶ Przewody przyłączeniowe należy odpowiednio ułożyć.



Wskazówka
Do zacisków L i N listwy zaciskowej X2 doprowadzone musi być napięcie ciągłe.

- ▶ Zastosować zabezpieczenie przed wyrwaniem przewodów przyłączeniowych i podłączyć je do urządzenia zgodnie ze schematem połączeń elektrycznych (znajdującym się po wewnętrznej stronie prawej ściany bocznej) lub ze schematem połączeń elektrycznych zawartym w rozdziale „Dane techniczne”.

W przypadku niewystarczającego dostępu do kątownika blaszanego służącego jako wspornik sieciowych zacisków przyłączeniowych wskutek zbyt małego odstępu bocznego można go przechylić do przodu po uprzednim odkręceniu śruby mocującej.

12.4.3 Praca bez stycznika ogrzewania

Jeśli nie jest planowany montaż stycznika ogrzewania (wymagany przez niektóre zakłady energetyczne), można wykorzystać funkcję elektroniki pieca akumulacyjnego.

- ▶ W tym celu sygnały zakładu energetycznego LF i N lub sygnały SH i N danego urządzenia sterowniczego ładowania podłączyć bezpośrednio do zacisków LF/SH i N pieca akumulacyjnego.
- ▶ W menu konfiguracyjnym nastawić parametr P15 na 1 (patrz rozdział „Instalacja / Nastawy”).

Załączenie grzałek w ogrzewaczu akumulacyjnym następuje po załączeniu mocy przez zakład energetyczny lub po sygnale rozpoczęcia nagrzewania z elektronicznego regulatora ładowania.

12.4.4 Tabliczka znamionowa urządzenia



Wskazówka
Udokumentować moc przyłączeniową i znamionowy czas ładowania.

- ▶ W tym celu zaznaczyć odpowiednie pola na tabliczce znamionowej.

12.5 Sposoby montażu

12.5.1 Zamocowanie na ścianie

(przy dostatecznie nośnej ścianie)

Umocowanie pieca przy ścianie umożliwia otwór znajdujący się w tylnej ścianie urządzenia w pobliżu szafki sterowniczej.

- ▶ Przykręć urządzenie do ściany przy użyciu odpowiedniego wkrętu, aby je zabezpieczyć przed przewróceniem.

12.5.2 Zamocowanie na posadzce

Alternatywnie urządzenie można przykręcić do posadzki przez cztery otwory (Ø 9 mm) w stopkach urządzenia.

- ▶ Wymontować kratkę wylotu powietrza, ścianę przednią i zespół prowadzący powietrze (patrz rozdział „Montaż / Otwieranie urządzenia i czyszczenie urządzenia”).
- ▶ Odpowiednimi wkrętami przymocować urządzenie do posadzki.

12.6 Układanie wkładów akumulujących ciepło



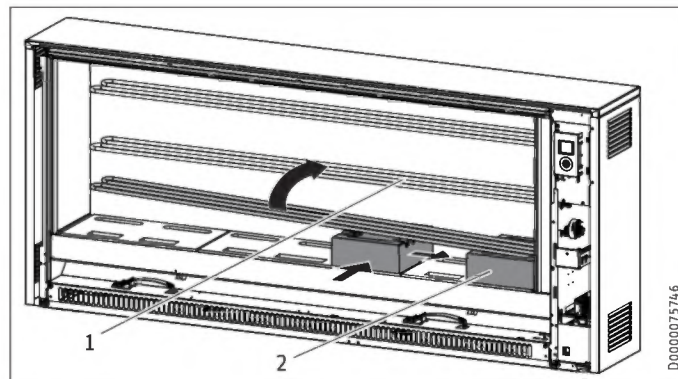
OSTRZEŻENIE - poparzenie
Uszkodzona warstwa izolacji cieplnej może być przyczyną nadmiernego nagrzewania się obudowy urządzenia.

- ▶ Sprawdzić izolację cieplną pod kątem występowania uszkodzeń transportowych.
- ▶ Uszkodzone elementy izolacji cieplnej wymienić na nowe.

W urządzeniu nie mogą znajdować się żadne ciała obce, jak np. fragmenty materiałów opakowaniowych.

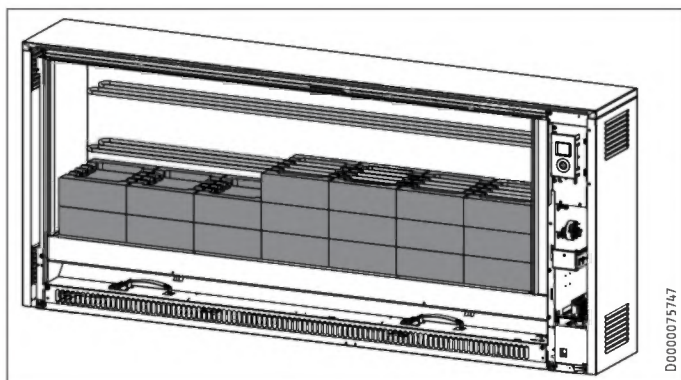
- ▶ Zdjąć osłonę blaszaną, po czym z wnętrza urządzenia wyjąć tekturowe wkładki.

Wkłady akumulujące ciepło są dostarczane w osobnym opakowaniu. Wkłady akumulujące ciepło, które wykazują niewielkie uszkodzenia transportowe, mogą być używane. Nie ma to negatywnego wpływu na pracę urządzenia.



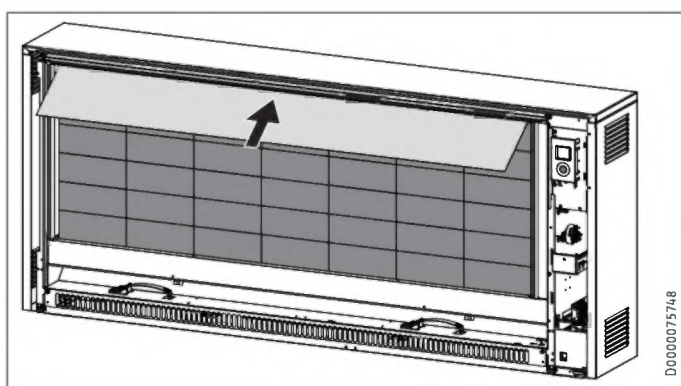
- 1 Grzałka
- 2 Wkład akumulujący ciepło

- ▶ Aby włożyć wkłady akumulujące ciepło, podnieś nieznacznie grzałkę.
- ▶ Przy podnoszeniu grzałek uważać, aby nie powiększyły one otworów przepustowych w bocznej warstwie izolacji cieplnej.
- ▶ Włożyć do urządzenia pierwszy wkład akumulujący ciepło z wgłębieniem na grzałkę skierowanym do góry, pamiętając, by zachować pewien odstęp od prawej warstwy izolacji cieplnej.
- ▶ Dosunąć kamień do prawej, tylnej warstwy izolacji cieplnej. Wzdłużne otwory stanowią kanały grzewcze.



D0000075747

- ▶ Włożyć następne wkłady akumulujące ciepło w kolejności przedstawionej na ilustracji.

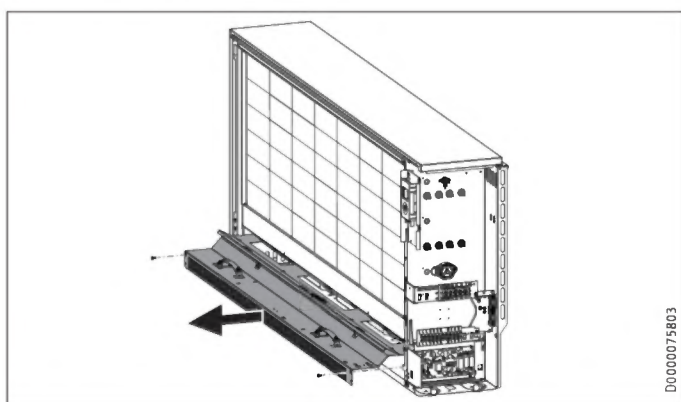


D0000075748

- ▶ Wyjętą uprzednio z urządzenia osłonę blaszaną założyć na górną warstwę wkładów akumulujących ciepło.

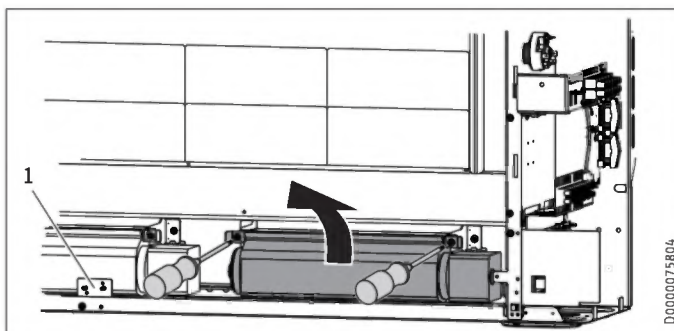
12.7 Czyszczenie urządzenia

- ▶ Po ustawieniu urządzenia i włożeniu do niego wkładów akumulujących ciepło wyczyścić urządzenie. W tym celu wykonać następujące czynności:



D0000075803

- ▶ Zdemontować zespół prowadzenia powietrza.



D0000075804

1 Regulator temperatury (N5)

- ▶ Podnieś dmuchawę i wyjąć ją z urządzenia. W tym celu odkręć wkręty umieszczone z przodu kątowników wspornikowych.
- ▶ Uważać przy tym na przewody.

W tym celu w niektórych urządzeniach należy odkręcić ochronny regulator temperatury (N5) i wspornik blaszany.

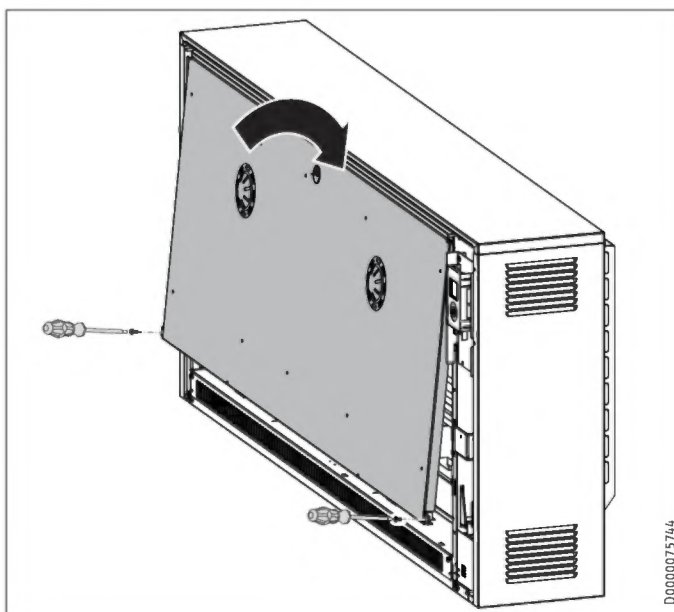


Szkody materialne

Przy odkładaniu wymontowanych części na bok należy uważać, aby nie uszkodzić przewodów plecionych.

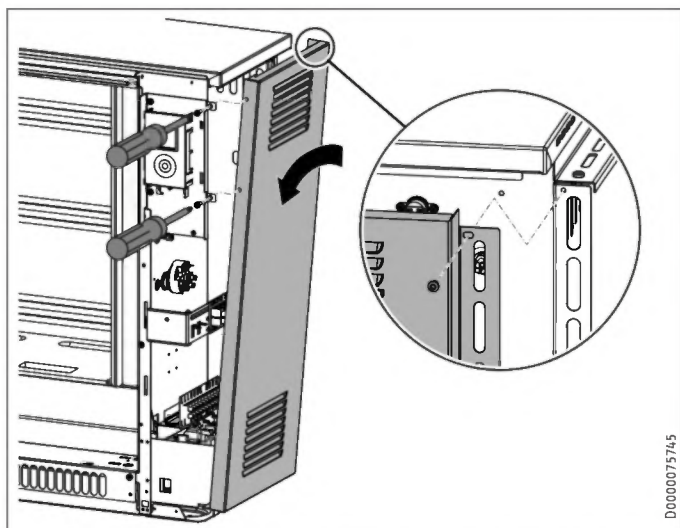
- ▶ Wyczyścić blaszane dno i dmuchawę. Uważać, aby nie uszkodzić lameli.
- ▶ Następnie z powrotem zamontować dmuchawę, ew. ochronny regulator temperatury oraz zespół prowadzący powietrze.
- ▶ Uważać, aby prawidłowo ułożyć przewody.

12.8 Zamknięcie urządzenia

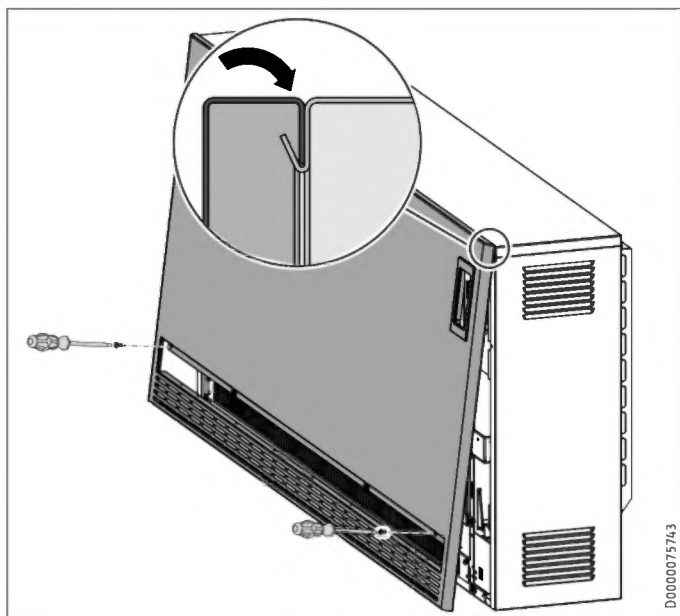


D0000075744

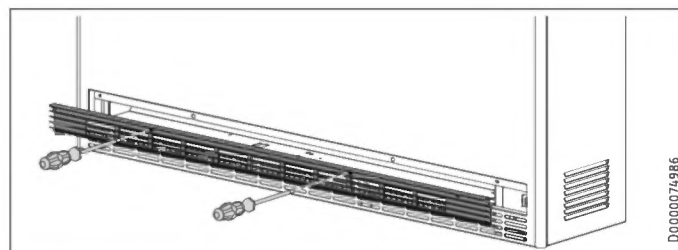
- ▶ Założyć z powrotem wewnętrzną ściankę przednią.



- ▶ Założyć prawą ścianę boczną na dole i przechylić ją u góry do urządzenia.
- ▶ Zaczepić ścianę boczną u góry na pokrywie i nacisnąć ją do tyłu.
Zwrócić uwagę, aby ściana boczna przylegała do blachy mocującej panelu obsługowego.
- ▶ Przykręcić ścianę boczną 3 śrubami z podkładkami zębatymi.



- ▶ Przed zamontowaniem ściany przedniej usunąć folię ochronną z panelu obsługowego.
- ▶ Założyć z powrotem ściankę przednią.
- ▶ Przykręcić ścianę przednią śrubami z tarczami zębatymi.



- ▶ Przykręcić kratkę wylotu powietrza obydwoma zamknięciami obrotowymi 1/4.

13. Nastawy

13.1 Menu konfiguracyjne

Aby przejść do menu konfiguracyjnego, przytrzymać przycisk „Menu”. Po ok. 3 sekundach wyświetlana jest wartość rzeczywista I1.

Wyświetlacz	Opis
I1-I2	Wartości rzeczywiste
Pro1-Pro3	Programy czasowe
P1-P5	Parametry
CodE	Dostęp dla wyspecjalizowanego instalatora

Po wprowadzeniu czterocyfrowego kodu odblokowane zostaną dodatkowe wartości rzeczywiste i parametry, które zarezerwowane są dla wyspecjalizowanego instalatora.

Poziom dostępu	Opis
A0	Wartości rzeczywiste i parametry, które są odblokowane dla użytkownika urządzenia, dostępne są bez kodu.
A1	Wartości rzeczywiste i parametry dla instalatora.

13.1.1 Podaj kod

Fabrycznie zaprogramowanym kodem jest 1000.

- ▶ Za pomocą przycisku „+” lub „-” wyświetlić punkt menu „CodE”.
- Na przemian z punktem menu wyświetlany jest poziom dostępu A0.
- ▶ Nacisnąć przycisk „OK”.
- Wyświetlane jest pole wprowadzania kodu. Miga pierwsza cyfra.
- ▶ Przyciskiem „+” lub „-” wprowadzić kod 1000. Po każdej wprowadzonej cyfrze nacisnąć przycisk „OK”.

Po wprowadzeniu prawidłowego kodu widoczne będą wartości rzeczywiste i parametry, które wcześniej były zablokowane.

13.1.2 Wartości rzeczywiste

Wyświetlacz	Opis	Poziom dostępu	Jednostka
I1	Rzeczywista temperatura pomieszczenia	A0	[°C] [°F]
I2	Względny czas grzania (Za pomocą parametru P5 można wyzerować licznik.)	A0	[h]
I3	Zadany stopień następnego ładowania	A1	[%]
I4	Rzeczywisty stopień ładowania	A1	[%]

13.1.3 Parametry

Wyświetlacz	Opis	Poziom dostępu	Opcje
P1	Margines temperatury pomieszczenia	A0	±3 °C ±5 °F
P2	Format godziny	A0	12 h 24 h
P3	Jednostka wskazania temperatury	A0	°C °F
P4	Reset programów czasowych	A0	on off
P5	Reset względnego czasu grzania	A0	on off
P6	Sygnał sterujący SL	A1	0 1
P7	Rodzaj sterowania wentylatora	A1	0 1
P8	Obniżenie temperatury wyłączenia	A1	100 % 90 % 80 % 70 %
P12	Ogrzewanie dodatkowe	A1	0 1
P14	Źródło zadanego stopnia ładowania	A1	1 2 3
P15	Źródło aktywowania niskiej taryfy	A1	0 1
P17	System ED	A1	30 - 80 %
P18	Reakcja na usterkę	A1	0 1

Aby zmienić wartość parametru, wybrać odpowiedni parametr przyciskiem „+”. Nacisnąć przycisk „OK”.

Gdy wyświetlony zostanie symbol „Parametr edytowalny”, przyciskiem „+” i „-” można zmienić wartość parametru. Aby zapisać nastawioną wartość, nacisnąć przycisk „OK”.

Jeśli naciśnięty zostanie przycisk „Menu” lub przez 10 sekund nie zostanie wykonana żadna czynność obsługowa, urządzenie automatycznie przejdzie do wskazania standardowego. Blokada parametrów jest znów aktywna.

P6: Sygnał sterujący SL

Opcje	Opis
0	Wejście SL wyłączone (nastawa fabryczna): Sterowanie wentylatorem odbywa się za pośrednictwem regulatora temperatury pomieszczenia wbudowanego w urządzenie.
1	Wejście SL aktywne: Sterowanie dmuchawą odbywa się za pośrednictwem 2-punktowego regulatora temperatury pomieszczenia zamontowanego na ścianie.

P7: Rodzaj sterowania wentylatora

Opcje	Opis
0	Regulator 2-punktowy: Dmuchawa jest włączana i wyłączana przez regulator temperatury pomieszczenia wbudowany w urządzenie w zależności od zapotrzebowania ciepła.
1	Regulator proporcjonalny (nastawa fabryczna): Prędkość obrotowa silników dmuchawy jest płynnie dostosowywana przez regulator temperatury pomieszczenia wbudowany w urządzenie.

P8: Redukcja temperatury wyłączenia

Za pomocą parametru P8 w połączeniu z mocą przyłączeniową, którą można zmienić, istnieje możliwość wybrania czterech różnych stopni ładowania dla elektronicznego regulatora ładowania (100%, 90%, 80% lub 70%). Nastawą fabryczną jest 100% (bez redukcji).

Jeśli wybrana zostanie inna nastawa, efektem będzie zredukowany stopień ładowania (temperatura wyłączenia elektronicznego regulatora ładowania zostanie obniżona). Patrz rozdział „Dane techniczne / Ograniczenie mocy przyłączeniowej przy zachowaniu znamionowego czasu ładowania 8 godzin”.

P12: Ogrzewanie dodatkowe (osprzęt):

Opcje	Opis
0	Jeśli w urządzeniu nie jest zainstalowane ogrzewanie dodatkowe (nastawa fabryczna).
1	Ogrzewanie dodatkowe zainstalowane w urządzeniu zostanie aktywowane.

P14: Źródło zadanego stopnia ładowania

Opcje	Opis
1	W urządzeniach bez sterownika ładowania zależnego od warunków atmosferycznych. Stopień ładowania reguluje się za pomocą osłabiaacza stopnia ładowania.
2	Przewód sterujący ładowania jest podłączony do sygnału sterującego AC (nastawa fabryczna).
3	Przewód sterujący ładowania jest podłączony do sygnału sterującego DC.

P15: Źródło aktywowania niskiej taryfy

Opcje	Opis
0	Aktywacja na stałe (nastawa fabryczna): Grzałki w urządzeniu są włączane, gdy stycznik ogrzewania i elektroniczny regulator ładowania aktywują ładowanie.
1	Sygnał sprzętowy LF: Załączenie grzałek w ogrzewaczu akumulacyjnym następuje po załączeniu mocy przez zakład energetyczny lub po sygnale rozpoczęcia nagrzewania z elektronicznego regulatora ładowania.

P17: System ED

Przewód sterujący ładowania musi być podłączony do sygnału sterującego AC (sygnał napięcia przemiennego na zaciskach A1 i A2).

Elektroniczny regulator ładowania urządzenia może być użytkowany przy sterownikach ładowania systemów ED 80%, 72%, 68%, 40% i 37%. Nastawa fabryczna jest przewidziana dla systemów ED 80%.

Jeśli urządzenie będzie eksploatowane przy innych systemach ED, ten parametr musi zostać nastawiony na odpowiednią wartość procentową.

P18: Reakcja na usterkę

Opcje	Opis
0	Regulator ładowania w urządzeniu jest nastawiony na „negatywną reakcję na usterkę” (bez ładowania pieca akumulacyjnego w przypadku awarii sterownika ładowania). Tej nastawy można dokonać jedynie w przypadku eksploatacji przy cyfrowych sterownikach ładowania. W przypadku sterowników ładowania AC dodatkowo wymagany jest sygnał ED 80%.
1	Regulator ładowania w urządzeniu jest nastawiony na „pozytywną reakcję na usterkę” (nastawa fabryczna). Oznacza to, że w przypadku usterki sterownika ładowania (np. w przypadku braku sygnału sterującego) urządzenie zostanie naładowane do pełna.

14. Uruchomienie

14.1 Kontrola przed uruchomieniem

Przed uruchomieniem można przeprowadzić kontrolę funkcji. W tym celu wyświetlić tryb uruchamiania w menu konfiguracyjnym.

- ▶ Aby przejść do menu konfiguracyjnego, przytrzymać przycisk „Menu” przez ok. 3 sekundy.

Najpierw należy odblokować poziom dostępu A1, który jest zarezerwowany dla wyspecjalizowanego instalatora.

- ▶ Za pomocą przycisku „+” lub „-” wyświetlić punkt menu „CodE”.
- ▶ Nacisnąć przycisk „OK”. Wyświetlane jest pole wprowadzania kodu. Miga pierwsza cyfra.
- ▶ Przyciskiem „+” lub „-” wprowadzić kod 1000. Po każdej wprowadzonej cyfrze nacisnąć przycisk „OK”.
- ▶ Po wprowadzeniu prawidłowego kodu za pomocą przycisku „+” wyświetlić wartość rzeczywistą 14.
- ▶ Aby przejść do trybu uruchamiania, przytrzymać równocześnie przycisk „Menu” i „+” przez ok. 3 sekundy.

W trybie uruchamiania odbywa się pierwsze ładowanie. Stopień ładowania odpowiada jego nastawie. Na ekranie wyświetlany jest postęp ładowania w procentach.



Wskazówka

- Jeśli stopień ładowania jest nastawiony na 0%, ładowanie nie będzie przeprowadzane.
- Po osiągnięciu stopnia ładowania urządzenie automatycznie wychodzi z trybu uruchamiania.

- ▶ Sprawdzić funkcję dmuchawy poprzez włączenie uruchomienia dmuchawy przyciskiem „Wentylator”.



Wskazówka

Dmuchawa pracuje tylko podczas ładowania.

- ▶ Aby wyjść z trybu uruchamiania, przytrzymać równocześnie przycisk „Menu” i „-” przez ok. 3 sekundy.

14.2 Pierwsze uruchomienie

Urządzenie można uruchomić bezpośrednio po zakończeniu montażu.

- ▶ Nastawić ładowanie za pośrednictwem stopnia ładowania lub sterownika ładowania.

14.2.1 Ładowanie

Podczas pierwszego ładowania mogą pojawić się pewne zapachy.

- ▶ Zadbaj o właściwą wentylację pomieszczenia. Otworzenie okna w położeniu uchylonym zapewni 1,5-krotną wymianę powietrza.

Przy ustawieniu urządzenia w sypialni nie należy wykonywać pierwszego ładowania podczas snu.

15. Modyfikacja urządzenia

Przy modyfikacjach i montażu podzespołów należy przestrzegać informacji podanych w stosownej instrukcji obsługi.

16. Przekazanie

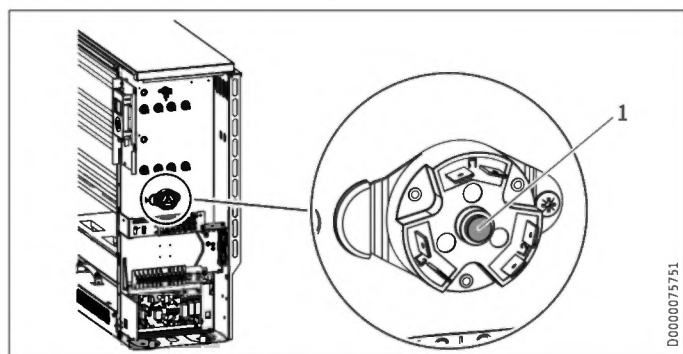
Objasnić użytkownikowi sposób działania urządzenia. Zwrócić jego uwagę szczególnie na wskazówki dotyczące bezpieczeństwa. Przekazać niniejszą instrukcję obsługi i instalacji użytkownikowi urządzenia.

17. Usuwanie usterek

17.1 Tabela usterek

Usterka	Przyczyna	Usuwanie
Urządzenie nie rozgrzewa się.	Stycznik grzałki nie załącza się prawidłowo.	Sprawdź wystawienie stycznika grzałki.
	Brak zasilania ogrzewacza akumulacyjnego.	Sprawdź bezpiecznik w skrzynce rozdzielczej.
	Brak zasilania regulatora ładowania.	Sprawdź zasilanie. Patrz rozdział „Podłączenie elektryczne” lub/i „Dane techniczne”.
	Zadziałał ogranicznik temperatury bezpieczeństwa (F1).	Włączyć z powrotem ogranicznik temperatury (patrz rozdział „Włączanie ogranicznika temperatury bezpieczeństwa”).
Urządzenie ładuje się zbyt mocno przy umiarkowanej temperaturze zewnętrznej (przy stosowaniu sterownika ładowania).	Sterownik ładowania nie jest właściwie nastawiony.	Sprawdzić nastawę sterownika ładowania.
	Regulator ładowania nie działa prawidłowo.	Sprawdzić nastawy parametrów P14, P15, P17 i P18 w menu konfiguracyjnym (patrz rozdział „Instalacja / Nastawy”).
	Przerwany przepływ sygnału sterującego.	Sprawdzić, czy do pieca akumulacyjnego doprowadzony jest sygnał sterujący sterownika ładowania.
Urządzenie ładuje się zbyt mocno przy umiarkowanej temperaturze zewnętrznej (przy ręcznej regulacji ładowania).	Niewłaściwa nastawa krzywej grzewczej.	Sprawdzić nastawy w sterowniku ładowania.
	Czujnik temperatury zewnętrznej jest uszkodzony.	Sprawdzić czujnik temperatury zewnętrznej i w razie potrzeby wymienić na nowy.
	Regulator ładowania podaje niewłaściwy sygnał sterujący.	Sprawdzić nastawy parametrów P17 i P18 w menu konfiguracyjnym (patrz rozdział „Instalacja / Nastawy”).
Urządzenie nie oddaje ciepła.	Nastawy stopnia ładowania przy piecu akumulacyjnym.	Skontrolować nastawę stopnia ładowania.
	Dmuchawy nie obracają się.	Skontrolować nastawy parametru P6 w menu konfiguracyjnym (patrz rozdział „Instalacja / Nastawy”). ... czy włączone jest uruchomienie dmuchawy. ... czy do pieca akumulacyjnego doprowadzone jest napięcie dmuchawy.
	Sitko we wlocie powietrza jest zapchane.	Wyczyścić sitko. Patrz rozdział „Czyszczenie i konserwacja”. Sprawdzić, czy przepływ powietrza nie jest blokowany przez np. dywan. Sprawdzić, czy załączył się regulator temperatury (N5) na wylocie powietrza.
Na wskazaniu pojawił się kod błędu „E1”.	Czujnik temperatury pomieszczenia jest uszkodzony.	Sprawdzić czujnik temperatury pomieszczenia i w razie potrzeby wymienić na nowy.
Na wskazaniu pojawił się kod błędu „E2”.	Czujnik temperatury rdzenia jest uszkodzony.	Sprawdzić czujnik temperatury rdzeniowej i w razie potrzeby wymienić na nowy.
Na wskazaniu pojawił się kod błędu „E3”.	Sygnał sterujący DC jest podłączony z niewłaściwą polaryzacją.	Sprawdzić przyłącze sygnału sterującego DC.

17.1.1 Włączanie ogranicznika temperatury bezpieczeństwa (F1)



1 Przycisk resetowania w ograniczniku temperatury bezpieczeństwa

Ogranicznik temperatury bezpieczeństwa można z powrotem włączyć poprzez wciśnięcie przycisku resetowania, po usunięciu przyczyny błędu.

17.2 Symbole na tabliczce znamionowej



Symbole na tabliczce znamionowej (przykład: SHF 7000)

-  Waga łączna
-  Ładowanie
-  Rozładowanie
-  Ogrzewanie dodatkowe
-  Dmuchawa

18. Konserwacja i czyszczenie

Kanał nadmuchowy znajdujący się za kratką wylotu powietrza należy sprawdzać co dwa lata. Mogą się w nim gromadzić zanieczyszczenia.



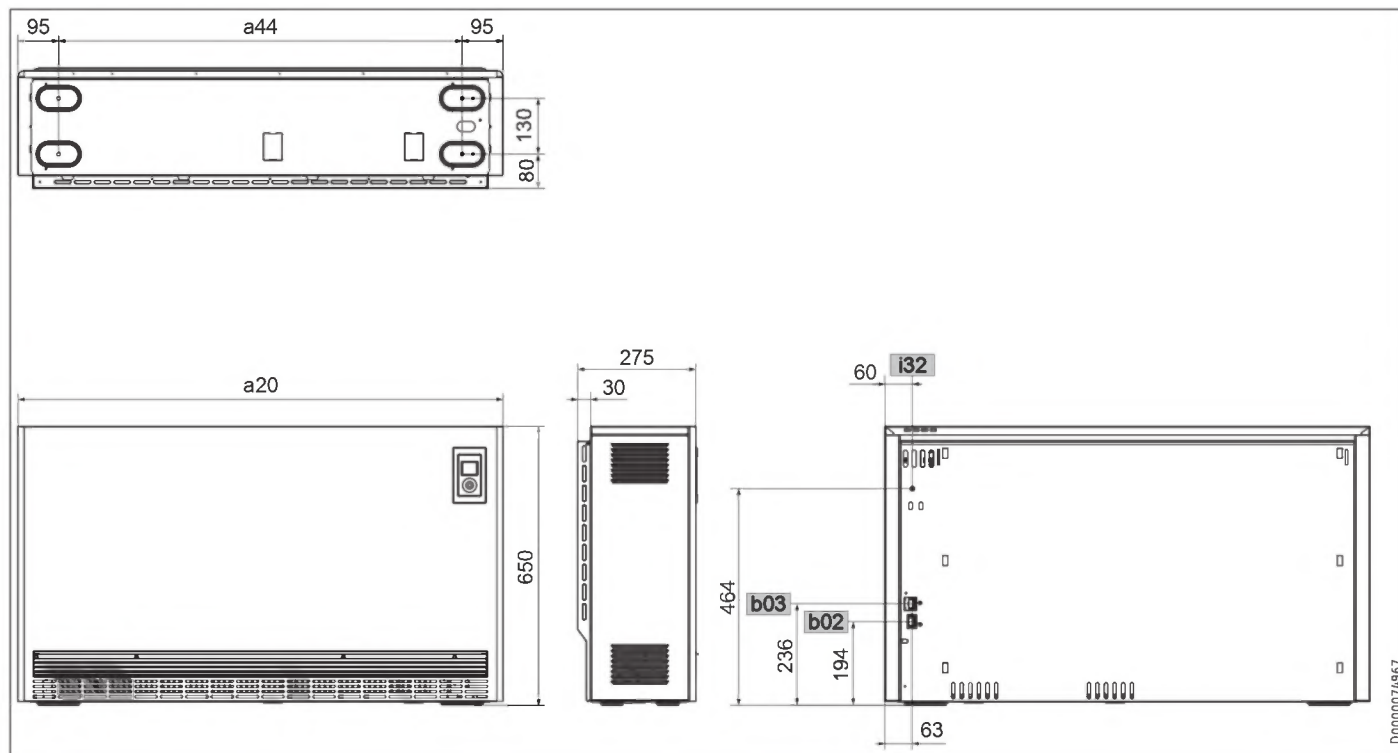
Wskazówka

Podczas regularnych konserwacji zalecamy również zlecenie kontroli przyrządów kontrolnych i regulacyjnych.

- ▶ Zlecić wyspecjalizowanemu instalatorowi kontrolę zabezpieczeń, przyrządów kontrolnych i regulacyjnych oraz cały układ ładowania i rozładowywania najpóźniej po upływie 10 lat od pierwszego uruchomienia.

19. Dane techniczne

19.1 Wymiary i przyłącza



			SHF 2000	SHF 3000	SHF 4000	SHF 5000	SHF 6000	SHF 7000	
a20	Urządzenie	Szerokość	mm	605	780	955	1130	1305	1480
a44	Urządzenie	Rozstaw nóżek regulowanych	mm	415	590	765	940	1115	1290
b02	Przepust na przewody elektr. I								
b03	Przepust na przewody elektr. II								
i32	Zamocowanie								

INSTALACJA

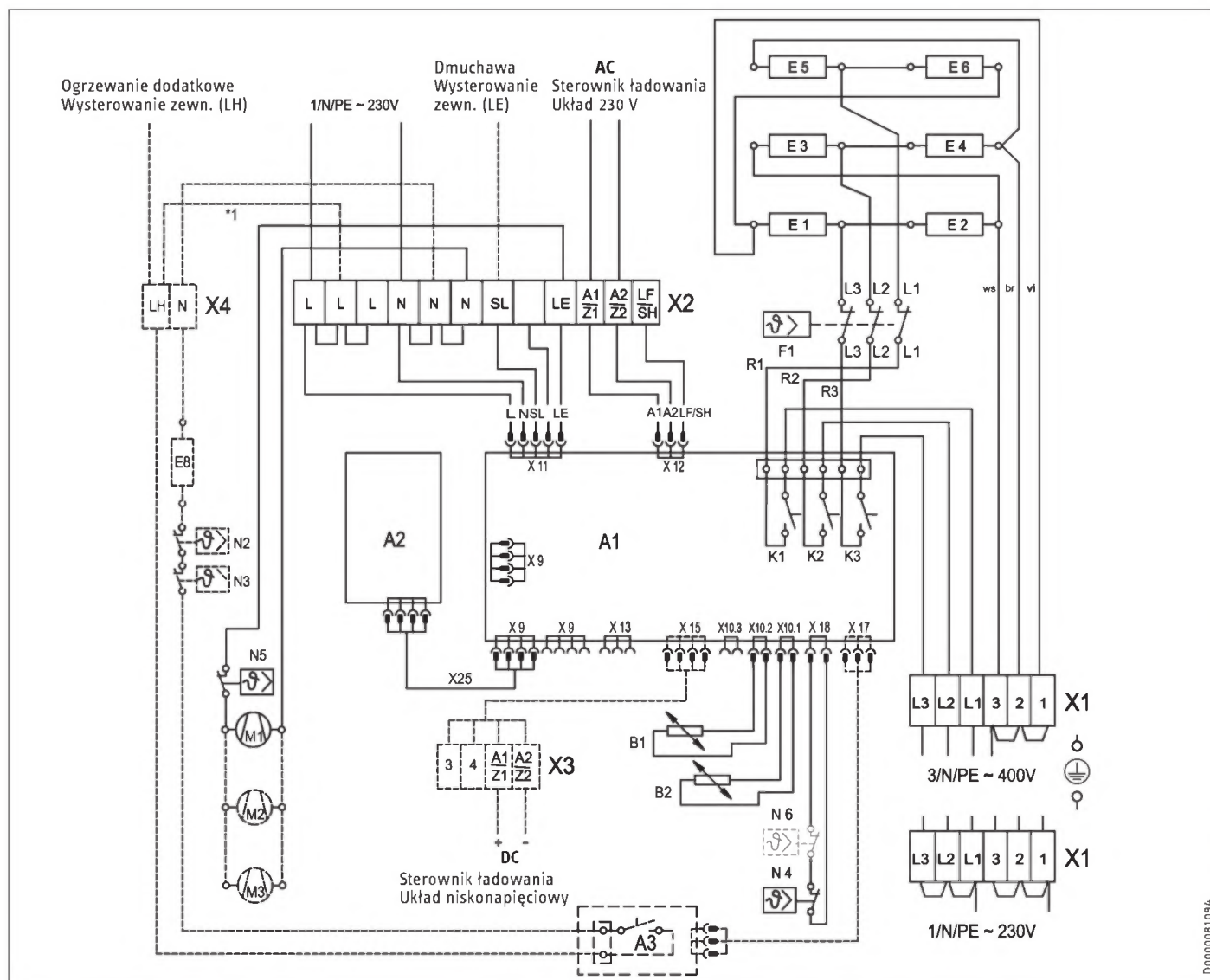
Dane techniczne

19.2 Schemat połączeń elektrycznych



Szkody materialne

Należy upewnić się, że między wszystkimi przyłączami strony napięcia sieciowego L, L1 i poszczególnymi sygnałami sterującymi SL, A1, A2, LF, SH, LE i LH zachowana jest różnica potencjałów wynosząca maks. 230 V.



Część akumulacyjna

- A1 Elektroniczny regulator ładowania/rozładowania
- A2 Elektroniczny moduł obsługowy
- B1 Czujnik rdzeniowy - ładowanie
- B2 Czujnik temperatury pomieszczenia - rozładowywanie
- F1 Ogranicznik temperatury bezpieczeństwa
- E1 - E6 Grzałka
- M1 - M3 Dmuchawa pieca akumulacyjnego
- N4 Ogranicznik temperatury - ładowanie
- N5 Ochronny regulator temperatury
- N6 Ogranicznik temperatury - stopień ładowania tylko dla 6 - 7 kW
- X25 Przewód łączący wewn. A1 - A2
- X1 Zacisk sieciowy
- X2 Zacisk przyłączeniowy

Osprzęt

(Nie jest zawarty w zakresie dostawy. Zakreślić zamontowany osprzęt, zaznaczając odpowiednie pola krzyżykiem.)

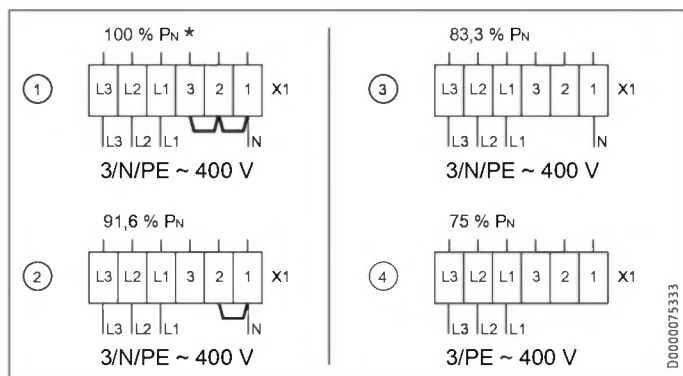
- Przyłącze DC**
- X3 Zacisk przyłączeniowy (0,91 - 1,43 V)
- Ogrzewanie dodatkowe (wysterowanie wewn.)**
*1 / skrętka LH - L
- Ogrzewanie dodatkowe (wysterowanie zewn.)**
- A3 Podzespół z przekaźnikiem ogrzewania dodatkowego
- E8 Grzałka dodatkowa
- N2 Regulator temperatury ogrzewania dodatkowego
- N3 Regulator temperatury ogrzewania dodatkowego
- X4 Zacisk przyłączeniowy

INSTALACJA

Dane techniczne

19.3 Ograniczenie mocy przyłączeniowej

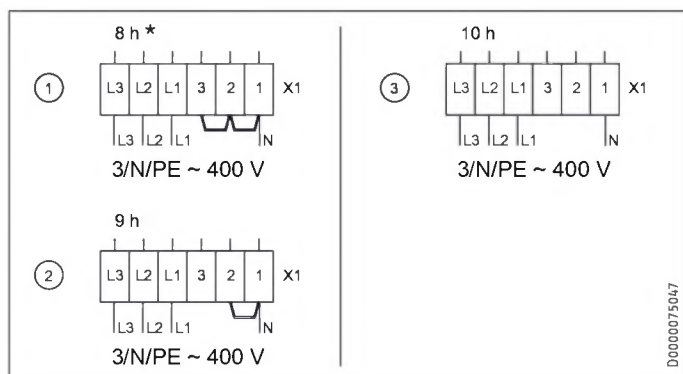
Wariant podłączenia (grzałka 8-godzinna)		①	②	③	④
		100 %	91,6 %	83,3 %	75 %
Typ					
SHF 2000	kW	2,00	1,83	1,67	1,50
SHF 3000	kW	3,00	2,75	2,50	2,25
SHF 4000	kW	4,00	3,66	3,33	3,00
SHF 5000	kW	5,00	4,58	4,16	3,75
SHF 6000	kW	6,00	5,50	5,00	4,50
SHF 7000	kW	7,00	6,42	5,83	5,25



* okablowanie seryjne

19.4 Dopasowanie mocy (znamionowy czas ładowania)

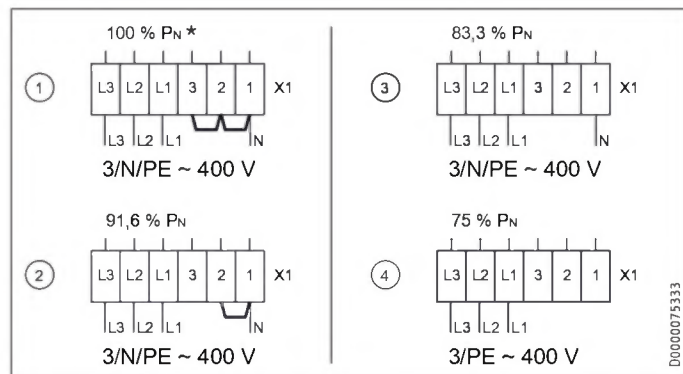
Wersja grzałki (grzałka 8-godzinna)		8 godz.	9 godz.	10 godz.
Znamionowy czas ładowania		8 godz.	9 godz.	10 godz.
Wariant podłączenia		①	②	③
Typ				
SHF 2000	kW	2,00	1,83	1,67
SHF 3000	kW	3,00	2,75	2,50
SHF 4000	kW	4,00	3,66	3,33
SHF 5000	kW	5,00	4,58	4,16
SHF 6000	kW	6,00	5,50	5,00
SHF 7000	kW	7,00	6,42	5,83



* okablowanie seryjne

19.5 Ograniczenie mocy przyłączeniowej przy zachowaniu znamionowego czasu ładowania 8 godzin

Moce przyłączeniowe (grzałki 8 h)		①	②	③	④
Wariant podłączenia		100 %	91,6 %	83,3 %	75 %
Moc przyłączeniowa		100 %	91,6 %	83,3 %	75 %
Stopnie ładowania do wyboru przez parametr P8		100 %	90 %	80 %	70 %



* okablowanie seryjne

INSTALACJA

Dane techniczne

19.6 Dane dotyczące zużycia energii

Dane produktu odpowiadają rozporządzeniom UE dotyczącym dyrektywy do ekologicznego kształtowania produktów istotnych dla zużycia energii.

Informacje produktowe dotyczące elektrycznych miejscowych ogrzewaczy pomieszczeń zgodnie z rozporządzeniem (UE) 2015/1188

		SHF 2000	SHF 3000	SHF 4000	SHF 5000	SHF 6000	SHF 7000
		200175	200176	200177	200178	200179	200180
Producent		STIEBEL ELTRON	STIEBEL ELTRON	STIEBEL ELTRON	STIEBEL ELTRON	STIEBEL ELTRON	STIEBEL ELTRON
Moc grzewcza							
Znamionowa moc grzewcza P_{nom}	kW	1,0	1,5	2,0	2,5	3,0	3,5
Minimalna moc grzewcza (wartość orientacyjna) P_{min}	kW	0,0	0,0	0,0	0,0	0,0	0,0
Maksymalna ciągła moc grzewcza $P_{max,c}$	kW	1,3	2,3	3,0	3,5	4,3	4,9
Zużycie prądu pomocniczego							
Przy znamionowej mocy grzewczej $e_{l,max}$	kW	0,000	0,000	0,000	0,000	0,000	0,000
Przy minimalnej mocy grzewczej $e_{l,min}$	kW	0,000	0,000	0,000	0,000	0,000	0,000
W stanie gotowości e_{lsB}	kW	0,000	0,000	0,000	0,000	0,000	0,000
Sposób regulacji doprowadzania ciepła							
Regulacja ręczna doprowadzania ciepła z wbudowanym termostatem		-	-	-	-	-	-
Regulacja ręczna doprowadzania ciepła w połączeniu z informacją zwrotną odnośnie temperatury pomieszczenia i/lub temperatury zewnętrznej		-	-	-	-	-	-
Regulacja elektroniczna doprowadzania ciepła w połączeniu z informacją zwrotną odnośnie temperatury pomieszczenia i/lub temperatury zewnętrznej		x	x	x	x	x	x
odpływ ciepła ze wsparciem dmuchawy		x	x	x	x	x	x
Rodzaj mocy grzewczej/kontrola temperatury pomieszczenia							
Jednostopniowa moc grzewcza, bez kontroli temperatury pomieszczenia		-	-	-	-	-	-
Dwa lub więcej ręcznie nastawianych stopni, bez kontroli temperatury pomieszczenia		-	-	-	-	-	-
Kontrola temperatury pomieszczenia za pomocą termostatu mechanicznego		-	-	-	-	-	-
Z elektroniczną kontrolą temperatury pomieszczenia		-	-	-	-	-	-
Elektroniczna kontrola temperatury pomieszczenia i regulacja wg pory dnia		-	-	-	-	-	-
Elektroniczna kontrola temperatury pomieszczenia i regulacja wg dnia tygodnia		x	x	x	x	x	x
Pozostałe opcje regulacji							
Kontrola temperatury pomieszczenia z wykrywaniem obecności		-	-	-	-	-	-
Kontrola temperatury pomieszczenia z wykrywaniem otwartego okna		x	x	x	x	x	x
Z opcjami zdalnego sterowania		-	-	-	-	-	-
Z regulacją adaptacyjną początku grzania		x	x	x	x	x	x
Z ograniczeniem czasu pracy		-	-	-	-	-	-
Z czujnikiem		-	-	-	-	-	-

INSTALACJA

Dane techniczne

19.7 Tabela danych

		SHF 2000	SHF 3000	SHF 4000	SHF 5000	SHF 6000	SHF 7000
		200175	200176	200177	200178	200179	200180
Dane elektryczne							
Moc przyłączeniowa	W	2000	3000	4000	5000	6000	7000
Napięcie znamionowe	V	~400	~400	~400	~400	~400	~400
Fazy		3/N/PE	3/N/PE	3/N/PE	3/N/PE	3/N/PE	3/N/PE
Częstotliwość	Hz	50/-	50/-	50/-	50/-	50/-	50/-
Ładowanie znamionowe	kWh	16	24	32	40	48	56
Elektryczne ogrzewanie dodatkowe	kW	0,35	0,5	0,8	1,0	1,2	1,5
Dane energetyczne							
Roczny współczynnik wykorzystania ogrzewania pomieszczeń η_s	%	39,5	39,5	39,5	39,5	39,5	39,5
Wymiary							
Wysokość	mm	650	650	650	650	650	650
Szerokość	mm	605	780	955	1130	1305	1480
Głębokość	mm	275	275	275	275	275	275
Masy							
Masa	kg	32	40	48	56	64	72
Masa (z wkładami akumulującymi ciepło)	kg	118	169	220	271	322	373
Wykonania							
Kolor		Biały alpejski	Biały alpejski	Biały alpejski	Biały alpejski	Biały alpejski	Biały alpejski
Parametry							
Redukcja ładowania 4-stopniowa		100 / 90 / 80 / 70	100 / 90 / 80 / 70	100 / 90 / 80 / 70	100 / 90 / 80 / 70	100 / 90 / 80 / 70	100 / 90 / 80 / 70
Zdolność gromadzenia ciepła	%	48	53	55	56	58	59
Poziom hałasu	dB(A)	30	32	33	34	34	34
Kwestie handlowe							
Ilość pakietów wkładów akumulujących ciepło		6	9	12	15	18	21

Gwarancja

Urządzeń zakupionych poza granicami Niemiec nie obejmują warunki gwarancji naszych niemieckich spółek. Ponadto w krajach, w których jedna z naszych spółek córek jest dystrybutorem naszych produktów, gwarancji może udzielić wyłącznie ta spółka. Taka gwarancja obowiązuje tylko wówczas, gdy spółka-córka sformułowała własne warunki gwarancji. W innych przypadkach gwarancja nie jest udzielana.

Nie udzielamy gwarancji na urządzenia zakupione w krajach, w których żadna z naszych spółek córek nie jest dystrybutorem naszych produktów. Ewentualne gwarancje udzielone przez importera zachowują ważność.

Ochrona środowiska i recycling

Pomóż chronić środowisko naturalne. Materiały po wykorzystaniu należy utylizować zgodnie z krajowymi przepisami.

KÜLÖNLEGES TUDNIVALÓK

KEZELÉS

1. Általános tudnivalók	150
1.1 Biztonsági tudnivalók	150
1.2 A dokumentumban használt egyéb jelölések	151
1.3 A készüléken található tudnivalók	151
1.4 Mértékegységek	151
2. Biztonság	151
2.1 Rendeltetésszerű használat	151
2.2 Általános biztonsági tudnivalók	151
2.3 Tanúsítvány	152
3. A készülék leírása	152
4. Kezelés	152
4.1 Kezelőegység	152
4.2 Hőtárolás	153
4.3 Hőleadás	154
5. Beállítások	154
5.1 Alapkijelző	154
5.2 Alapmenü	154
5.3 Konfigurációs menü	154
6. Beállítások meglévő falra szerelt helyiség hőmérséklet-szabályzó esetén	156
6.1 Alapkijelző	156
6.2 Alapmenü	156
6.3 Konfigurációs menü	156
7. Tisztítás, ápolás és karbantartás	157
7.1 A szűrőbetét tisztítása	157
8. Hibaelhárítás	157

TELEPÍTÉS

9. Biztonság	158
9.1 Általános biztonsági tudnivalók	158
9.2 Előírások, szabványok és rendelkezések	158
10. A készülék leírása	159
10.1 Működési elv	159
10.2 Szállítási terjedelem	159
10.3 Rendelhető tartozékok	159
11. Előkészületek	159
11.1 Telepítés helye	159
11.2 Minimális távolságok	160
12. Szerelés	160
12.1 A készülék felnyitása	160
12.2 A feltöltés-szabályozás beállítása	160
12.3 Hálózati csatlakozó / csatlakozóvezetékek	161
12.4 Elektromos csatlakoztatás	161
12.5 Szerelési változatok	162
12.6 A hőtároló kövek behelyezése	162
12.7 A készülék tisztítása	162
12.8 A készülék lezárása	163
13. Beállítások	164
13.1 Konfigurációs menü	164
14. Üzembe helyezés	165
14.1 Üzembe helyezés előtti ellenőrzés	165
14.2 Első üzembe helyezés	165

15. A készülék átalakítása	165
16. A készülék átadása	165
17. Hibaelhárítás	166
17.1 Üzemzavar-elhárítási táblázat	166
17.2 A típustábla szimbólumai	167
18. Karbantartás és tisztítás	167
19. Műszaki adatok	168
19.1 Méretek és csatlakozók	168
19.2 Elektromos kapcsolási rajz	169
19.3 A csatlakozási teljesítmény csökkentése	170
19.4 Teljesítménykorrekció (a feltöltés névleges időtartama)	170
19.5 A csatlakozási teljesítmény csökkentése a feltöltés 8 órás névleges időtartamának megtartásával	170
19.6 Energiafogyasztási adatok	171
19.7 Adattábla	172

GARANCIA

KÖRNYEZETVÉDELEM ÉS ÚJRAHASZNOSÍTÁS

KÜLÖNLEGES TUDNIVALÓK

- Őrizze meg a kezelési és telepítési útmutatót, hogy szükség esetén bármikor belenézhesen.
- A készülék távol tartandó 3 évnél fiatalabb gyermekektől, ha állandó felügyeletük nem biztosított.
- Ezt a készüléket 3 – 7 éves gyermekek csak megfelelő felügyelet mellett, illetve a készülék biztonságos használatával kapcsolatos alapvető utasítások és a kapcsolódó veszélyek ismeretében kapcsolhatják be vagy ki. Ehhez a készüléket az előírásoknak megfelelően kell felszerelni. 3 ... 7 éves gyermekek nem szabályozhatják a készüléket.
- Ezt a készüléket 8 éves kort betöltött gyermekek, valamint testileg, érzékszervileg vagy szellemileg korlátozott, nem hozzáértő és a terméket nem ismerő személyek csak megfelelő felügyelet mellett, illetve a készülék biztonságos használatával kapcsolatos alapvető utasítások és a kapcsolódó veszélyek ismeretében használhatják.
- Gyermekek nem játszhatnak a készülékkel. Gyermekek tisztítást és felhasználói karbantartást felügyelet nélkül nem végezhetnek.
- A készülék alkatrészei nagyon felforrósodhatnak és égési sérülést okozhatnak. Gyermekek és védelemre szoruló személyek jelenléte esetén különleges óvatossággal kell eljárni.
- Az első feltöltéskor szagosodás jelentkezhet. Gondoskodjon a helyiség megfelelő szellőzéséről.
- Tartsa be a szomszédos tárgyak felületeihez vagy egyéb éghető anyagokhoz viszonyított minimális távolságokat (lásd a „Telepítés / Minimális távolságok“ c. fejezetet).
- A túlmelegedés elkerülése érdekében ne takarja le a készüléket!

- A készülékre vagy annak közvetlen közelébe semmilyen tárgyat ne helyezzen! A készülékre semmilyen tárgyat ne helyezzen!
- Ne helyezze a készüléket közvetlenül fali csatlakozóaljzat alá.
- Vegye figyelembe a „Műszaki adatok / Adattábla“ c. fejezetben feltüntetett névleges töltési értékeket.
- A készüléket úgy szerelje fel, hogy a kapcsoló- és szabályozó berendezéseket a fürdőkád-ban vagy a zuhany alatt tartózkodó személy ne tudja megérinteni.
- A készüléket csak fixen csatlakoztatva szabad a hálózatra kapcsolni. A készüléket egy minden pólusnál legalább 3 mm-es leválasztó szakasszal le kell tudni választani a hálózatról.
- A készüléket a „Telepítés/Szerelés“ c. fejezetben leírtak szerint erősítse fel.

KEZELÉS

1. Általános tudnivalók

A „Különleges tudnivalók“, valamint a „Kezelés“ c. fejezet a felhasználóknak és a szakszerelőknek szól.

A „Telepítés“ c. fejezet a szakszerelőknek szól.



Tudnivaló

Használat előtt figyelmesen olvassa el és őrizze meg ezt az útmutatót..

Ha a készüléket továbbadja, akkor az útmutatót is adja át a következő felhasználónak.

1.1 Biztonsági tudnivalók

1.1.1 A biztonsági tudnivalók felépítése



JELZŐSZÓ A veszély jellege




Itt a biztonsági tudnivalók figyelmen kívül hagyásából adódó lehetséges következmények találhatóak.

► Itt a veszély elhárításához szükséges intézkedések találhatóak.

KEZELÉS

Biztonság

1.1.2 Szimbólumok, a veszély jellege

Szimbólum	A veszély jellege
	Sérülés
	Áramütés
	Égési sérülés (Égési sérülés, forrázás)

1.1.3 Jelzőszavak

JELZŐSZÓ	Jelentése
VESZÉLY	Olyan tudnivalók, amelyek figyelmen kívül hagyása sérüléshez vagy halálhoz vezet.
FIGYELMEZTETÉS	Olyan tudnivalók, amelyek be nem tartása súlyos vagy halálos sérüléseket okozhat.
VIGYÁZAT	Olyan tudnivalók, amelyek figyelmen kívül hagyása közepesen súlyos vagy könnyű sérülésekhez vezethet.



1.2 A dokumentumban használt egyéb jelölések



Tudnivaló

Az általános tudnivalókat a mellettük lévő szimbólumok jelölik.

► Gondosan olvassa el ezt a fejezetet.

Szimbólum	Jelentése
	Anyagi kár (a készülék sérülése, közvetett kár, környezeti kár)
	A készülék ártalmatlanítása

► Ez a szimbólum teendőkre utal. A szükséges műveleteket lépésről lépésre ismertetjük.

1.3 A készüléken található tudnivalók

Szimbólum	Jelentése
	A készüléket tilos lefedni.

1.4 Mértékegységek



Tudnivaló

Egyéb előírás híján a méretek mm-ben értendők.

2. Biztonság

2.1 Rendeltetésszerű használat

Ez a készülék lakóterek felmelegítésére szolgál.

A készülék háztartási környezetben történő használatra készült. A készülék betanítás nélkül is biztonságosan használható. A készülék nem háztartási környezetben – pl. kisiparban – is használható, amennyiben a felhasználás módja azonos.

Más jellegű vagy ettől eltérő felhasználás nem minősül rendeltetésszerűnek. A rendeltetésszerű használathoz tartozik a jelen útmutató, valamint a használt tartozékok útmutatóinak figyelembe vétele is.

2.2 Általános biztonsági tudnivalók

Vegye figyelembe a következő biztonsági tudnivalókat és előírásokat.

- A villanszerelési munkákat és a készülék telepítését csak szakszerelők vagy ügyfélszolgálati technikusaink végezhetik az ebben az útmutatóban foglaltak szerint.
- Szerelés közben és az első üzembe helyezés alkalmával a szakszerelő felelős az érvényes előírások betartásáért.
- A készüléket csak teljesen felszerelve és annak összes biztonsági berendezésével együtt üzemeltesse.



FIGYELMEZTETÉS Sérülés

- A készülék távol tartandó 3 évnél fiatalabb gyermekektől, ha állandó felügyeletük nem biztosított.
- Ezt a készüléket 3 – 7 éves gyermekek csak megfelelő felügyelet mellett, illetve a készülék biztonságos használatával kapcsolatos alapvető utasítások és a kapcsolódó veszélyek ismeretében kapcsolhatják be vagy ki. Ehhez a készüléket az előírásoknak megfelelően kell felszerelni. 3 ... 7 éves gyermekek nem szabályozhatják a készüléket.
- Ezt a készüléket 8 éves kort betöltött gyermekek, valamint testileg, érzékszervileg vagy szellemileg korlátozott, nem hozzáértő és a terméket nem ismerő személyek csak megfelelő felügyelet mellett, illetve a készülék biztonságos használatával kapcsolatos alapvető utasítások és a kapcsolódó veszélyek ismeretében használhatják.
- Gyermekek nem játszhatnak a készülékkel. Gyermekek tisztítást és felhasználói karbantartást felügyelet nélkül nem végezhetnek.

A készülék leírása



FIGYELMEZTETÉS Égési sérülés
Ne működtesse a készüléket...

- ha a szomszédos tárgyak felületeihez vagy egyéb éghető anyagokhoz viszonyított távolságok nem érik el a megadott minimális értékeket.
- olyan helyiségekben, amelyekben vegyszerek, por, gázok vagy gőzök jelenléte miatt tűz- vagy robbanásveszély áll fenn. Feltöltés előtt alaposan szellőztesse ki a helyiséget.
- éghető vagy robbanásveszélyes anyagot továbbító vagy tartalmazó vezetékek és tartályok közvetlen közelében.
- ha a felállítás helyiségében olyan munkálatokat végeznek, mint csőfektetés, köszörülés vagy tömítés.
- ha a készülék valamely alkatrésze megsérült, illetve meghibásodott.



FIGYELMEZTETÉS Égési sérülés

- Ne tegyen éghető, gyúlékony vagy hőszigetelő hatású tárgyakat, illetve anyagokat a készülékre vagy annak közvetlen közelébe. A készülékre semmilyen tárgyat ne helyezzen! Ellenkező esetben a hő felgyülemelésével a készülékház felülete és a tárgyak rendkívül felmelegedhetnek.
- Vigyázzon, nehogy eltömődjön a levegő be- és kivezető nyílása.
- Ne dugjon tárgyakat a készülék és a fal közé.



VIGYÁZAT Égési sérülés

A készülék házának felülete és a kilépő levegő üzem közben igencsak felforrósodhat (80 °C-nál magasabb hőmérsékletre), ami égési sérülést okozhat. Gyermekes és védelemre szoruló személyek jelenléte esetén különleges óvatossággal kell eljárni.



VIGYÁZAT Túlmelegedés

A túlmelegedés elkerülése érdekében ne takarja le a készüléket!

2.3 Tanúsítvány

Lásd a készülék típusabláját. A típusábla a készülék bal oldali oldalfalán található.

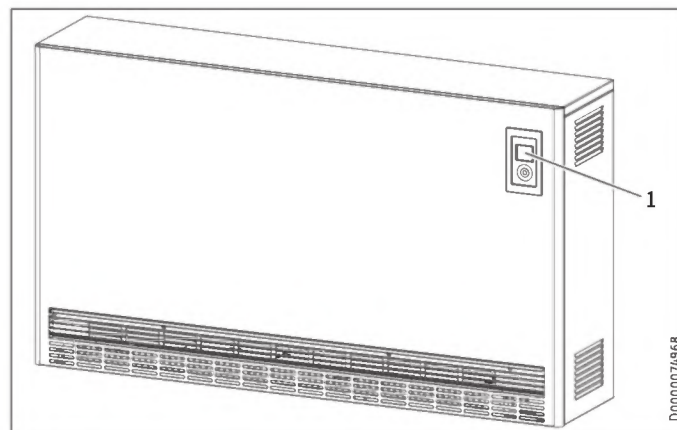
3. A készülék leírása

Ez a készülék elektromos úton létrehozott hő tárolását biztosítja. A hő elektromos úton való előállítás a kedvező alacsony tarifájú áramszolgáltatás engedélyezett időszakában történik.

Az engedélyezett időszakok a mindenkori áramszolgáltatótól függenek. Az engedélyezett időszakok túlnyomórészt az éjszakai órákra esnek.

A helyiség kívánt hőmérsékletének megfelelően a tárolt hő leadása meleg levegő formájában, ventilátor segítségével történik, illetve annak egy csekély részét a készülék felülete adja le.

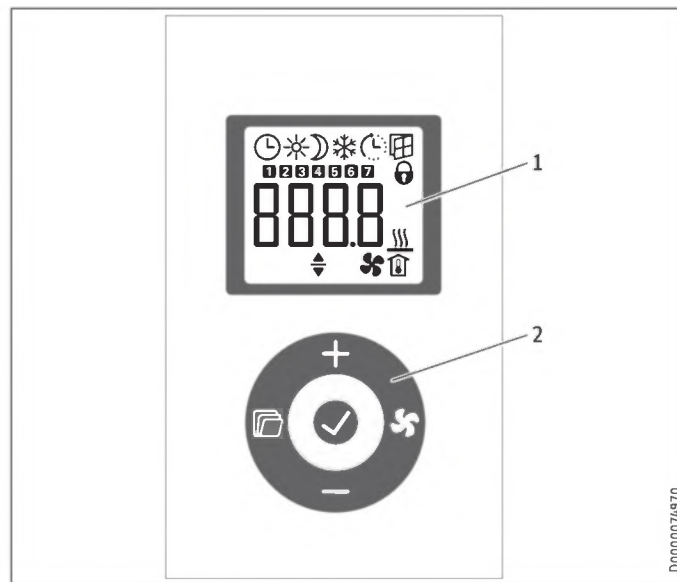
4. Kezelés



1 Kezelőegység

4.1 Kezelőegység

A kezelés a kezelőegység segítségével történik, amely az előlap jobb felső részén található.



1 Kijelző

2 Kezelőfelület

4.1.1 Kezelőfelület

Nyomógomb	Megnevezés	Leírás
	„Ventilátor” nyomógomb	Ventilátor engedélyezésének be- és kikapcsolása
	„OK” nyomógomb	Kiválasztás; a beállítások nyugtázása
	„Menü” nyomógomb	A menü behívása és kilépés a menüből
	„+” nyomógomb	Menüpontok behívása; beállítások módosítása
	„-” nyomógomb	Menüpontok behívása; beállítások módosítása

4.1.2 Kijelző

Ha a kezelő 20 mp-en keresztül semmilyen műveletet nem végez, akkor a háttérvilágítás kikapcsolódik. Tetszőleges nyomógomb lenyomásával a háttérvilágítás visszakapcsolható.

Szimbólumok



Tudnivaló

Ha a hőleadást (ürítés) falra szerelt helyiséghőmérséklet-szabályzó szabályozza, akkor a kijelzőn nem minden szimbólum lesz látható.

Szimbólum	Leírás
	Időkijelző: Az aktuális pontos idő vagy a beprogramozott indítási időpont kijelzése Programozott üzemmód: A készülék az aktivált időprogramnak megfelelően fűt.
	Kényelmi üzemmód: A készülék tartja a beállított kényelmi hőmérsékletet. Szabványos érték: 21,0 °C. Ezt a beállítást komfortos helyiség-hőmérsékletekhez használhatja jelenlét esetén.
	Csökkentett üzemmód: A készülék tartja a beállított csökkentett hőmérsékletet. Szabványos érték: 18,0 °C. Ezt a beállítást például éjszaka vagy néhány órás távollét esetén használhatja.
	Adaptív indítás: Időzítő üzemmódban a fűtőkészülék bekapcsolási idejeit a vezérlés úgy állítja be, hogy már a beprogramozott indítási időpontban biztosított legyen a helyiség mindenkor beállított hőmérséklet-alapjelének megfelelő értéke. Előfeltétel: Az „Adaptív indítás” funkció be van kapcsolva (lásd a „Beállítások/Alapmenü” című fejezetet).
	Nyitott ablak észlelése: A szellőztetés közbeni energiapazarlás elkerülése érdekében a készülék a helyiség beállított hőmérséklet-alapjelét egyórányi időtartamra automatikusan 7,0 °C-ra csökkenti. A „Nyitott ablak észlelése” szimbólum villog. A szellőztetés után az ablaknyitás-felismerés a „+” vagy „OK” nyomógomb megnyomásával manuálisan is kikapcsolható. A készülék ismét felfűti a helyiséget a beállított alapjelnek megfelelő hőmérsékletre. Előfeltétel: Az „Ablaknyitás-érzékelés” funkció be van kapcsolva (lásd a „Beállítások/Alapmenü” című fejezetet).
	Kezelés letiltása: A kezelőfelület letiltásához, illetve a letiltás feloldásához 5 mp-en keresztül egyidejűleg lenyomva kell tartani a „+” és a „-” gombot.
	Kiegészítő fűtés (tartozék) engedélyezése: Ha egy helyiség felfűtéséhez a tároló hőmennyisége nem elegendő, akkor a kiegészítő fűtés is besegít a fűtésbe.
	A helyiséghőmérséklet kijelzése
	Ventilátor engedélyezése bekapcsolva: Ha a helyiség-hőmérséklet a helyiség beállított hőmérséklet-alapjele alá süllyed, akkor a ventilátor bekapcsolódik, és addig fújja a felmelegített levegőt a helyiségbe, amíg a helyiség hőmérséklete el nem éri a beállított értéket.
	Szerkeszthető paraméter: A kijelzett paraméter a „+” és a „-” gombbal módosítható.
	A hét napjai: 1 = hétfő, 2 = kedd...7 = vasárnap

4.2 Hőtárolás

A feltöltés-szabályozás segítségével lehet meghatározni a hőtárolás (feltöltés) mértékét.

A feltöltés-szabályozás beállítása attól függ, hogy központi időjárás-vezérelt feltöltés-vezérléssel rendelkező vagy a nélküli készüléket használnak-e.

Az időjárás-vezérelt feltöltés-vezérlés a kapcsolószekrényben található.

4.2.1 Időjárás-vezérelt feltöltés-vezérléssel rendelkező készülékek

- ▶ A „Menü” nyomógombbal hívja elő az alapmenüt, majd nyomja le az „OK” nyomógombot.
- ▶ Amint megjelenik a „Szerkeszthető paraméter” szimbólum, a „+” és a „-” gombbal állítsa a feltöltöttség-csökkentő értékét 100%-ra.



Tudnivaló

Ha a hőleadást (ürítés) falra szerelt helyiséghőmérséklet-szabályzó szabályozza, akkor a „+” és a „-” gombbal állítsa be a feltöltöttség-csökkentőt a normál kijelzőn.

Az időjárás-vezérelt feltöltés-vezérlés gondoskodik a szabályos feltöltésről.



Tudnivaló

Erre vonatkozóan vegye figyelembe a feltöltés-vezérlés vagy a többkészülékes vezérlés útmutatóját.

Az egyes készülékek eltérő szabályozása céljából a feltöltöttség-csökkentő segítségével a feltöltési mennyiség manuálisan szabályozható.

Ha a feltöltöttség-csökkentőt 0%-ra állítja, akkor nem történik feltöltés.

4.2.2 Időjárás-vezérelt feltöltés-vezérlés nélküli készülékek

A feltöltési mennyiség a feltöltöttség-csökkentőn keresztül állítható be.

- ▶ A „Menü” nyomógombbal hívja elő az alapmenüt, majd nyomja le az „OK” nyomógombot.
- ▶ Amint megjelenik a „Szerkeszthető paraméter” szimbólum, a „+” és a „-” gombbal állítsa be a feltöltöttség-csökkentő értékét.



Tudnivaló

Ha a hőleadást (ürítés) falra szerelt helyiséghőmérséklet-szabályzó szabályozza, akkor a „+” és a „-” gombbal állítsa be a feltöltöttség-csökkentőt a normál kijelzőn.

KEZELÉS

Beállítások

A következő irányadó értékek érvényesek:

Érték	Feltöltési mennyiség
0 %	nincs feltöltés (nyáron)
30 %	átmeneti időszakokban (pl. tavasz vagy ősz) a teljes feltöltés kb. 1/3 része
70 %	enyhe téli napokon a teljes feltöltés kb. 2/3 része
100 %	hideg téli napokon teljes feltöltés

Rövid hozzászokási időszakot követően kellő tapasztalatot szerezhetünk a készülék mindenkor megfelelő beállításához.

4.3 Hőleadás

A hőleadást (ürítést) a készülékbe integrált vagy falra szerelt két-pontos helyiség-hőmérséklet-szabályzó (lásd a „További tartozékok” c. fejezetet) szabályozza.

A helyiség-hőmérséklet-szabályzó automatikusan szabályozza a ventilátor általi hőleadást, ami biztosítja a helyiség-hőmérséklet beállított alapjelének fenntartását. A ventilátor működéséhez a ventilátor engedélyezésnek bekapcsolva kell lennie.



Tudnivaló

A fűtési időszakban, többnapos távollét esetén célszerű csökkentett helyiség-hőmérsékletet (például 10 °C) beállítani. Ezzel a beállítással megakadályozható a helyiség túlzott lehűlése (fagyvédelem).

4.3.1 Ventilátor engedélyezésének be- és kikapcsolása

- ▶ A ventilátorengedélyezés be- és kikapcsolásához nyomja meg a „Ventilátor” nyomógombot. Ha a ventilátorengedélyezés be van kapcsolva, akkor a kijelzőn megjelenik a „Ventilátor” szimbólum.

5. Beállítások

5.1 Alapkijelző



Az alkijelző állandóan látható. Ha a menüben tartózkodva a kezelő 20 mp-nél hosszabb ideig semmilyen műveletet nem végez, akkor a készülék automatikusan átkapcsol az alkijelzőre.

Az alkijelzőn a helyiség aktuális hőmérséklet-alapjele, valamint a „Szerkeszthető paraméter” szimbólum látható. A „+” vagy a „-” gombbal módosítható a helyiség hőmérséklet-alapjele.

Ha a helyiség beállított hőmérséklet-alapjele megegyezik a kényelmi vagy csökkentett hőmérséklet egyik beállított értékével, akkor a menüsorban megjelenik a megfelelő üzemmód (kényelmi üzemmód, csökkentet üzemmód) szimbóluma.

A helyiség hőmérséklet-alapjele programozott üzemmódban is módosítható manuálisan. A helyiség módosított hőmérséklet-alapjele érvényben marad a következő beprogramozott kapcsolási időpontig.

5.2 Alapmenü

Az alapmenübe a „Menü” gomb rövid lenyomásával léphetünk. A következő menüpontokat lehet behívni:

Kijelző	Leírás
	A feltöltöttség-csökkentő beállítása A kisebb hőszükségletű napokon 10%-os lépésekben kézilleg beállítható a feltöltési mennyiség.
	A hét napja és a pontos idő beállítása
	A kényelmi hőmérséklet beállítása A kényelmi hőmérsékletet a csökkentett hőmérsékletnél legalább 0,5 °C-kal magasabbra kell állítani.
	A csökkentett hőmérséklet beállítása A csökkentett hőmérsékletet a komforthőmérsékletnél legalább 0,5 °C-kal alacsonyabbra kell állítani.
	A „Nyitott ablak észlelése” funkció be- és kikapcsolása
	Az időprogram (Pro1, Pro2, Pro3) kiválasztása vagy kikapcsolása (off)
	Az „Adaptív indítás” funkció be- és kikapcsolása
	Kiegészítő fűtés (tartozék) be- és kikapcsolása

Ha módosítani szeretné egy menüpont beállítását, akkor hívja be a megfelelő menüpontot a „+” és a „-” gombbal. Nyomja le az „OK” nyomógombot.

Amint megjelenik a „Szerkeszthető paraméter” szimbólum, módosítani lehet a menüpont beállítását a „+” és a „-” gombbal. A beállítások mentéséhez nyomja le az „OK” gombot.

Az alapmenüből való kilépéshez nyomja le a „Menü” gombot. Megjelenik a normál kijelző.

5.3 Konfigurációs menü

Kijelző	Leírás
I1-I2	Tényleges értékek
Pro1-Pro3	Időprogramok
P1-P5	Paraméterek
CodE	Hozzáférés szakember számára

A konfigurációs menüben behívhatók a tényleges értékek, programozhatók az időprogramok a programozott üzemmódhoz és beállíthatók a paraméterek.

A konfigurációs menübe a „Menü” gomb lenyomva tartásával léphetünk. Kb. 3 mp elteltével megjelenik az I1 tényleges érték.

KEZELÉS

Beállítások

A „+” és a „-” gombokkal átkapcsolhatunk az egyes tényleges értékek, időprogramok és paraméterek között.

A konfigurációs menüből való kilépéshez nyomja le a „Menü” gombot. Megjelenik a normál kijelző.

5.3.1 Tényleges értékek

A következő tényleges értékeket lehet behívni:

Kijelző	Leírás	Egység
I1	A helyiség-hőmérséklet tényleges értéke	[°C] [°F]
I2	A fűtés relatív időtartama (a P5 paraméter segítségével le lehet nullázni a számlálót).	[óra]



Tudnivaló

A fűtés relatív időtartamának (I2) számlálója teljes üzemmórában kifejezve számlálja az időtartamot. Ha a készülék egy teljes órán keresztül (nem feltétlen egyhuzamban) fel van töltve, akkor a számláló ugrik egyet.

5.3.2 Időprogramok

Programozott üzemmódban a készülék három időprogrammal használható. A Pro1 és a Pro2 időprogramokat gyárilag előzetesen konfigurálták. A Pro3 időprogramot az egyéni igényeknek megfelelően lehet beállítani.

Kijelző	Leírás
Pro1	„Naponta” időprogram - Ismétlődés: Hétfőtől vasárnapig
Pro2	„Munkanapokon” időprogram - Ismétlődés: Hétfőtől péntekig
Pro3	„Felhasználó által definiált” időprogram - 14 kényelmi időszakig bezárólag tetszőlegesen konfigurálható.



Tudnivaló

A programozott üzemmód használatához az alapmenüben ki kell választani a kívánt időprogramot (lásd a „Beállítások/Alapmenü” című fejezetet).



Tudnivaló

Az időprogramok beállításakor ügyeljen a hét napja és a pontos idő szabályos beállítására.



Tudnivaló

Valamennyi időprogramra (Pro1, Pro2, Pro3) nézve érvényes a következő szabály:
Ha a befejezési időpont 23:59-nél későbbre esik, akkor az automatikusan a hét következő napjára kerül beállításra. A kényelmi időszak éjfélén át tart; az a hét következő napján, a beállított befejezési időpontban fejeződik be.

Pro1 és Pro2 időprogramok

A Pro1 és Pro2 időprogramokkal a kényelmi üzemmód kezdési és befejezési időpontját lehet meghatározni. Ebben az időszakaszban a készülék felfűt a beállított kényelmi hőmérsékletre. Ezen meghatározott időszakon kívül a készülék csökkentett üzemmódban működik. Ebből adódik egy kényelmi és egy csökkentett hőmérsékletű fázis, amelyek naponta (Pro1), illetve minden munkanapon (Pro2) ismétlődnek.

Gyárilag ezeket az időszakokat a következőképpen konfigurálták:

- 8:00 óra - 22:00 óra: Kényelmi üzemmód
- 22:00 óra - 08:00 óra: Csökkentett üzemmód



Tudnivaló

Ha aktiválták a Pro2 időprogramot, akkor a készülék hétvégén kizárólag csökkentett üzemmódban működik.

A Pro1 és a Pro2 időprogramot a következőképpen lehet az egyéni igényekhez igazítani:

- A konfigurációs menüben a „+” és a „-” gombokkal hívja be a kívánt időprogramot.
- Nyomja le az „OK” nyomógombot.
A kijelzőn látható a kényelmi üzemmód kezdési időpontja.
- A „+” és a „-” gombbal állítsa be a kívánt kezdési időpontot.
- Nyomja le az „OK” nyomógombot.
Megjelenik a kényelmi üzemmód befejezési időpontja.
- A „+” és a „-” gombbal állítsa be a kívánt befejezési időpontot.
- A beállított értékek mentéséhez nyomja le az „OK” gombot.

Pro3 időprogram

A Pro3 időprogrammal max. 14 külön kényelmi időszakot lehet meghatározni, amelyek hetenként ismétlődnek.

A Pro3 időprogramban a következőképpen lehet kényelmi időszakot konfigurálni:

- A konfigurációs menüben a „+” és a „-” gombbal hívja be a Pro3 időprogramot.
- Nyomja le az „OK” nyomógombot.
A kijelzőn „3---” látható.
- Nyomja le az „OK” nyomógombot.
Megjelenik a hét egy napja, illetve a hét napjainak csoportja.
- A „+” és a „-” gombokkal állítsa be a hét kívánt napját, illetve a hét napjainak megfelelő csoportját.
- Nyomja le az „OK” nyomógombot.
A kijelzőn látható a kényelmi üzemmód kezdési időpontja.
- A „+” és a „-” gombbal állítsa be a kívánt kezdési időpontot.
- Nyomja le az „OK” nyomógombot.
Megjelenik a kényelmi üzemmód befejezési időpontja.
- A „+” és a „-” gombbal állítsa be a kívánt befejezési időpontot.
- Nyomja le az „OK” nyomógombot.
A „3-01” kényelmi időszak konfigurálása befejeződött.
- További kényelmi időszak konfigurálásához a „+” és a „-” gombbal válassza a Pro3 időprogramot; a kijelzőn „3---” látható. Járjon el a fentiek szerint.



Tudnivaló

A beállított kényelmi időszakok gyári értékekre való visszaállításához válassza a P4 paramétert.

- Vegye figyelembe, hogy a P4 paraméter kiválasztásával az összes időprogram (Pro1, Pro2, Pro3) visszaáll a gyári program szerinti alaphelyzetbe.

5.3.3 Paraméterek

A következő paramétereket lehet behívni:

Kijelző	Leírás	Opciók
P1	Helyiség hőmérséklet-eltolás	± 3 °C ± 5 °F
P2	Időformátum	12 24 óra
P3	A hőmérséklet-kijelző mértékegysége	°C °F
P4	Időprogramok (programozott üzemmód) visszaállítása.	be ki
P5	A fűtés relatív időtartamának visszaállítása	be ki

Ha módosítani kívánja egy paraméter értékét, akkor hívja be azt a „+” és a „-” gombbal. Nyomja le az „OK” nyomógombot.

Amint megjelenik a „Szerkeszthető paraméter” szimbólum, a „+” és a „-” gombbal módosítani lehet a paraméter értékét. A beállított érték mentéséhez nyomja le az „OK” gombot.

P1: Helyiség hőmérséklet-eltolás

Ha nem egyenletes a hőmérséklet eloszlása a helyiségben, akkor eltérés adódhat az I1 kijelzett tényleges hőmérséklet és a helyiség mért hőmérséklete között. Az eltérés kiegyenlítése érdekében a P1 paraméter segítségével beállítható egy ± 3 °C helyiség hőmérséklet-eltolás.

Példa: A készüléken az I1 = 21,0 °C érték látható. A helyiség mért hőmérséklete 20,0 °C. 1,0 °C-os különbség áll fenn.

- ▶ A különbség kiegyenlítéséhez állítson be P1 = -1,0 eltölési értéket.

P2: Időformátum

A P2 paraméter segítségével lehet megadni, hogy a pontos idő 12 vagy 24 órás formátumban jelenjen meg.

P3: A hőmérséklet-kijelző mértékegysége

A P3 paraméter segítségével lehet meghatározni, hogy a helyiség-hőmérséklet kijelzése Celsius fokban [°C] vagy Fahrenheit fokban [°F] történjen.

P4: Időprogramok visszaállítása

A P4 paraméter aktiválásával az összes időprogram visszaállítható a gyári alapértékre.

P5: A fűtés relatív időtartamának visszaállítása

A P5 paraméter aktiválásával lenullázhatjuk a fűtés relatív időtartamának (I2) számlálóját.

5.3.4 Hozzáférés szakember számára

Kijelző	Leírás
CodE	Hozzáférés szakember számára



Tudnivaló

Bizonyos menüpontok kóddal védettek. Azok megtekintése és beállítása csak szakemberek számára engedélyezett.

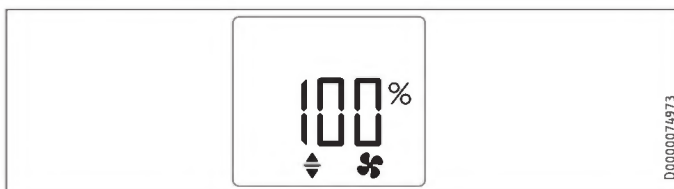
6. Beállítások meglévő falra szerelt helyiség hőmérséklet-szabályzó esetén



Tudnivaló

Ha a hőleadást (ürítés) falra szerelt helyiség hőmérséklet-szabályzóval szabályozza, akkor a beállítási lehetőségek csak igen korlátozott mértékben fognak rendelkezésre állni.

6.1 Alapkijelző



Az alapkijelző állandóan látható. Ha a menüben tartózkodva a kezelő 20 mp-nél hosszabb ideig semmilyen műveletet nem végez, akkor a készülék automatikusan átkapcsol az alapkijelzőre.

A normál kijelzőn a feltöltöttség-csökkentő aktuális beállítása, valamint a „Szerkeszthető paraméter” szimbólum látható. A „+” és a „-” gombbal a kisebb hőszükségletű napokon a feltöltési mennyiséget 10%-os lépésközzel lehet kézzel beállítani.

6.2 Alapmenü



Tudnivaló

Az alapmenü csak akkor hívható elő, ha a készülék rendelkezik kiegészítő fűtéssel (tartozék).

Az alapmenübe a „Menü” gomb rövid lenyomásával léphetünk.

Kijelző	Leírás
OFF	A kiegészítő fűtés (tartozék) be- és kikapcsolása A kiegészítő fűtésnek kiegészítő fűtés-kapcsolóval rendelkező, falra szerelt helyiség hőmérséklet-szabályzó esetén is az alapmenüben bekapcsolva kell lennie.

A menüpont beállításának módosításához nyomja le az „OK” nyomógombot.

Amint megjelenik a „Szerkeszthető paraméter” szimbólum, módosítani lehet a menüpont beállítását a „+” és a „-” gombbal. A beállítás mentéséhez nyomja le az „OK” nyomógombot.

Az alapmenüből való kilépéshez nyomja le a „Menü” gombot. Megjelenik a normál kijelző.

6.3 Konfigurációs menü

Kijelző	Leírás
I2	Tényleges érték
P5	Paraméterek
CodE	Hozzáférés szakember számára

A konfigurációs menübe a „Menü“ gomb lenyomva tartásával léphetünk. Kb. 3 mp elteltével megjelenik az I2 tényleges érték.

A „+“ és a „-“ gombokkal átkapcsolhat az egyes tényleges értékek és paraméterek között.

A konfigurációs menüből való kilépéshez nyomja le a „Menü“ gombot. Megjelenik a normál kijelző.

6.3.1 Tényleges érték

Kijelző	Leírás	Egység
I2	A fűtés relatív időtartama (a P5 paraméter segítségével le lehet nullázni a számlálót).	[óra]



Tudnivaló

A fűtés relatív időtartamának (I2) számlálója teljes üzemmórában kifejezve számlálja az időtartamot. Ha a készülék egy teljes órán keresztül (nem feltétlen egyhuzamban) fel van töltve, akkor a számláló ugrik egyet.

6.3.2 Paraméterek

Kijelző	Leírás	Opciók
P5	A fűtés relatív időtartamának visszaállítása A paraméter aktiválásával lenullázhatjuk a fűtés relatív időtartamának (I2) számlálóját.	be ki

A paraméter beállításának módosításához nyomja le az „OK“ nyomógombot.

Amint megjelenik a „Szerkeszthető paraméter“ szimbólum, a „+“ és a „-“ gombbal módosítani lehet a paraméter beállítását. A beállítás mentéséhez nyomja le az „OK“ nyomógombot.

6.3.3 Hozzáférés szakember számára

Kijelző	Leírás
CodE	Hozzáférés szakember számára



Tudnivaló

Bizonyos menüpontok kóddal védettek. Azok megtekintése és beállítása csak szakemberek számára engedélyezett.

7. Tisztítás, ápolás és karbantartás



Anyagi kár

- Ne permetezzen tisztító aeroszolt a légrésekbe.
- Vigyázzon, nehogy nedvesség kerüljön a készülékbe.

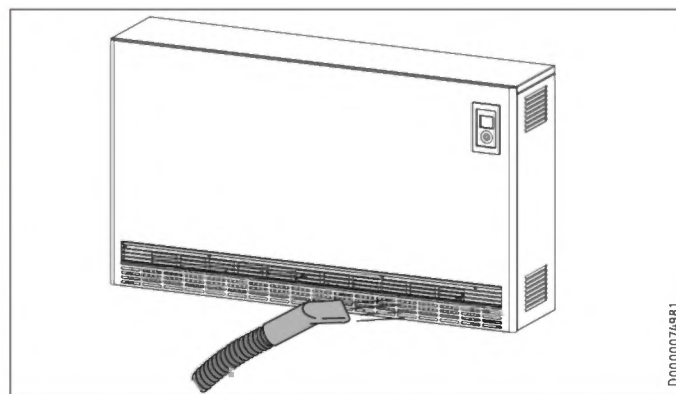
- Amennyiben a készülékházon halvány barnás elszíneződések jelennek meg, úgy azokat nedves ronggyal törölje le.
- A készüléket lehűlt állapotban tisztítsa, szokványos tisztítószerekkel. Kerülje a súroló és maró hatású szereket.

7.1 A szűrőbetét tisztítása



Tudnivaló

Rendszeresen tisztítsa meg a levegőbevezetés mögött található szűrőbetétet. Ezáltal biztosítható a készülék zavarmentes üritése. Ha a szűrőbetét eltömődött, akkor kapcsolja ki a ventilátorokat.



► Porszívóval tisztítsa meg a levegőbevezetés mögött található szűrőbetétet.

8. Hibaelhárítás

Probléma	Ok	Elhárítás
A készülék nem melegszik fel.	Nem állítottak be feltöltést vagy túl alacsonyra állították azt. A hőmérséklet túl alacsonyra van beállítva. A ventilátorengedélyezés ki van kapcsolva. Nincs áramellátás.	Állítson be magasabb feltöltést. Ellenőrizze a beállított helyiség-hőmérsékletet. Szükség esetén állítsa utána az értéket. Kapcsolja be a ventilátorengedélyezést. Ellenőrizze a házi vezetékekben lévő biztosítékot és a FI védőkapcsolót.
A helyiség nem melegszik fel kellőképpen, bár a készülék felforrósodik.	Túlmelegedés. A biztonsági hőmérsékletkorlátozó korlátozza a fűtőteljesítményt.	Szüntesse meg a kiváltó okot (a levegő beszívó- vagy kifúvónyílásainak szennyeződése vagy letakarása). Vegye figyelembe a minimális távolságokat!
	A helyiség hőigénye nagyobb a készülék teljesítményénél.	Szüntesse meg a hővesztéseket (csukja be az ablakokat és az ajtókat. Kerülje a hosszan tartó szellőztetést).
A készülék enyhe időjárásnál is túl sok hőt ad le.	Rosszul van beállítva a feltöltés-vezérlés és/vagy a feltöltés-szabályzó.	Korrigálja a beállításokat.
A helyiség túlságosan fellemelegszik.	A hőmérséklet a készüléken túl magas értékre van beállítva.	Ellenőrizze a beállított helyiség-hőmérsékletet. Szükség esetén állítsa utána az értéket.
A készülék nem ürül.	Eltömődött a szűrőbetét.	Lásd a „Tisztítás, ápolás és karbantartás“ c. fejezetet.

Probléma	Ok	Elhárítás
A „Nyitott ablak észlelése” funkció nem reagál.	Szellőztetés hatására a készülék nem érzékel jelentős hőmérséklet-csökkenést. (A „Nyitott ablak észlelése” funkció működésének előfeltétele az előzetesen beállt egyenletes helyiség-hőmérséklet).	A készülék beállításait követően várjon egy ideig, amíg a helyiség hőmérséklete teljesen nem stabilizálódik. Távolítsa el a légcserét akadályozó tárgyakat a készülék körül. A szellőztetés időtartama kézzel tiltsa le a ventilátor működését.
	Nem aktiválták a „Nyitott ablak észlelése” funkciót.	Az alapmenüben kapcsolja be a „Nyitott ablak észlelése” funkciót.
Az „Adaptív indítás” nem a kívánalmak szerint működik.	A funkció csak programozott üzemmódban fejti ki hatását. A helyiség hőmérséklete erősen ingadozik, illetve a készülék tanulási folyamata még nem fejeződött be. Nem aktiválták az „Adaptív indítás” funkciót.	Használja a programozott üzemmódot az optimális fűtési kényelem érdekében. Várjon néhány napig, amíg a készülék működése nem stabilizálódik. Az alapmenüben kapcsolja be az „Adaptív indítás” funkciót.
A kijelzőn „E1”, „E2” vagy „E3” látható.	A készülék belső hibát észlelt.	Forduljon szakemberhez.



Tudnivaló

A feltöltés-vezérlésen eszközölt módosítások vagy a megszüntetett beállítások csak újbóli feltöltést követően lépnek érvénybe.

Ha az okokat nem tudja elhárítani, akkor hívjon szakszerelőt. A jobb és gyorsabb segítség érdekében adja meg a típustáblán feltüntetett gyári számot (000000-0000-000000).

TELEPÍTÉS

9. Biztonság

A készülék telepítését, üzembe helyezését, illetve karbantartását és javítását csak szakszerelő végezheti.

9.1 Általános biztonsági tudnivalók

A kifogástalan működést és üzembiztonságot csak abban az esetben garantáljuk, ha a készülékhez az ajánlott tartozékokat és pótalkatrészeket használják.

9.2 Előírások, szabványok és rendelkezések



FIGYELMEZTETÉS Áramütés

Minden villamos bekötési és szerelési munkát a vonatkozó előírásoknak megfelelően kell végezni.



FIGYELMEZTETÉS Áramütés

A készüléket csak fixen csatlakoztatva szabad a hálózatra kapcsolni.

A készüléket egy minden pólusnál legalább 3 mm-es leválasztó szakasszal le kell tudni választani a hálózatról.



Anyagi kár

Vegye figyelembe a típustábla adatait. A rendelkezésre álló tápfeszültségnek meg kell egyeznie a hálózati feszültséggel.

Az üzemi eszközöknek meg kell felelniük a készülékek névleges teljesítményének.



Anyagi kár

A készüléket úgy kell rögzíteni a falon vagy a padlón, hogy biztosított legyen annak stabilitása.



Anyagi kár

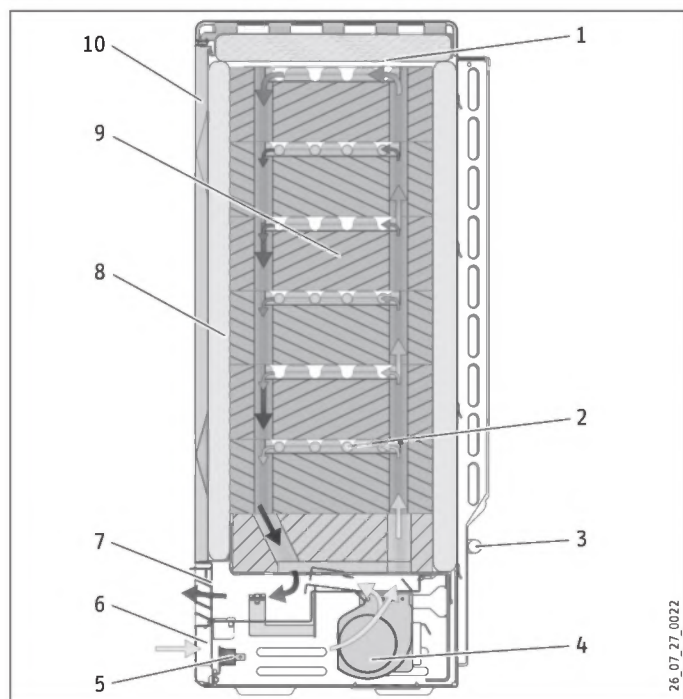
- A készüléket ne szerelje közvetlenül fali csatlakozóaljzat alá.
- Ügyeljen arra, hogy a bekötőkábel ne érjen hozzá a készülék részeihez.



Anyagi kár

Tartson be minden nemzeti és helyi előírást, illetve rendeletet.

10. A készülék leírása



- 1 Fedlap
- 2 Fűtőtest
- 3 Helyiség hőmérséklet-érzékelő
- 4 Ventilátor (M1)
- 5 Hőmérséklet-szabályzó védőrelé (M5)
- 6 Levegő szívóoldal
- 7 Levegő nyomóoldal
- 8 Szigetelés
- 9 Hőtároló kövek
- 10 Homlokfal és belső homlokfal

10.1 Működési elv

A hőtároló téglákat a téglasorok közti fűtőtestek felmelegítik. A feltöltés-szabályzóval a feltöltés beállítható. A feltöltési idő kezdetét és időtartamát az illetékes áramszolgáltató határozza meg.

A készülék túlmelegedését két beépített hőmérséklet-szabályzó védőrelé, valamint egy biztonsági hőmérséklet-korlátozó akadályozza meg. Amíg a hőmérséklet-szabályzó védőrelék automatikusan visszakapcsolódnak, addig a biztonsági hőmérséklet-korlátozót a hiba okának elhárítását követően az annak közepén található nyomógomb lenyomásával vissza kell kapcsolni.

A tárolt hő leadását részben ventilátor, részben pedig a készülék felülete is biztosítja. Ehhez a ventilátor a levegőbevezető nyíláson keresztül beszívja a helyiség levegőjét és átfújja a hőtároló kövek levegőcsatornáin, ahol a levegő felmelegszik.

Mielőtt az ily módon létrehozott meleg levegő kilépne a levegő-kivezető rácson, két levegőkeverő szelep összekeveri azt a helyiség hidegebb levegőjével, nehogy a kilépő levegő hőmérséklete meghaladja a maximális értéket. A levegőkeverő szelep állását és ezáltal a levegő keverési arányát bimetall szabályozó szabályozza.

10.2 Szállítási terjedelem

A készülékkel szállított tartozékok:

- hőtároló kövek

10.3 Rendelhető tartozékok

- 2 pontos helyiség hőmérséklet-szabályzó (ürités szabályozás)
- kiegészítő fűtés
- Egyenáramú vezérlőbemenet (egyenáramú vezérlőjel szerelőkészlet)

11. Előkészületek



Anyagi kár

Gondoskodni kell arról, hogy az L, L1 hálózati feszültség és a különféle SL, A1, A2, LF, SH, LE és LH vezérlőjelek minden egyes csatlakozása között maximum 230 V-os feszültségkülönbség álljon fenn.



Tudnivaló

Az X2 kapcsoló L és N sorkapcsán tartós feszültségnek kell fennállnia.



Tudnivaló

Ha a készülék automatikus feltöltés-vezérlésre (pl. EAC 4) van kapcsolva, akkor az elektronikus feltöltés-szabályzó feltöltés vezérlését feszültségkorrekció nélkül kell beállítani.

11.1 Telepítés helye



FIGYELMEZTETÉS Égési sérülés

- Gondoskodjon arról, hogy a készülék felerősítésére szolgáló fal legalább 85, a padló pedig legalább 80 °C-ig hőálló legyen.
- Tartsa be kötelező minimális távolságot a környező tárgyak felületétől.



Tudnivaló

Amennyiben a készüléket olyan helyiségekben szerelik fel, ahol előfordulhat kipufogógáz-, olaj- vagy benzinszag, vagy ahol oldószerekkel és kémiai anyagokkal dolgoznak, úgy a készülék üzemeltetése tartós szaglószervi terhelést okozhat, illetve a készülék szennyeződhet.



Anyagi kár

A felszerelt készüléknek megfelelően fel kell feküdnie a falra.

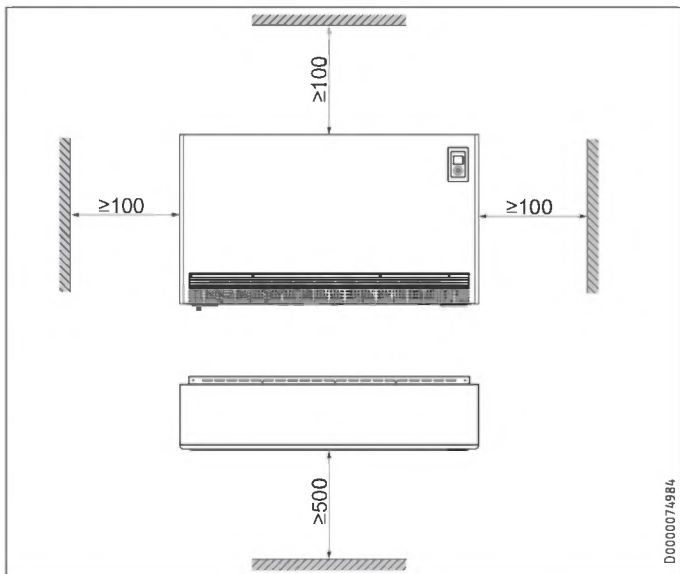
A készülék felállítási helyének sík felületűnek kell lennie és megfelelő teherbírással kell rendelkeznie. A készülék tömegére vonatkozó további adatokat lásd a „Műszaki adatok / Adattábla” c. fejezetben.

► Ha kétségei vannak, forduljon építési szakemberhez.

A készülékek minden hagyományos padlón felállíthatók, azonban PVC, parkett- és hosszú szálú, illetve magas szálú padlószőnyegek esetén nyomás alatt és hőbehatás esetén eltérések adódhatnak. Ilyen esetben hőálló alátétlemezt kell felszerelni (a helyszínen).

A készülék stabilitását fali vagy padló rögzítéssel kell biztosítani (lásd a „Szerelés / Szerelési változatok” c. fejezetet).

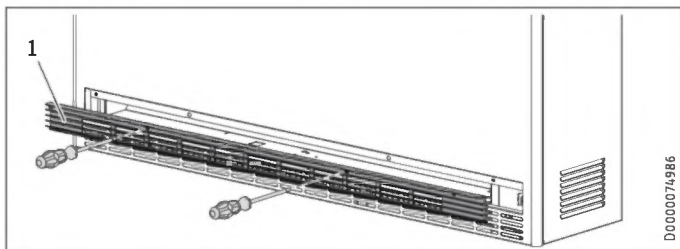
11.2 Minimális távolságok



- ▶ Győződjön meg róla, hogy a meleg levegő akadálytalanul távozhat a készülékből.

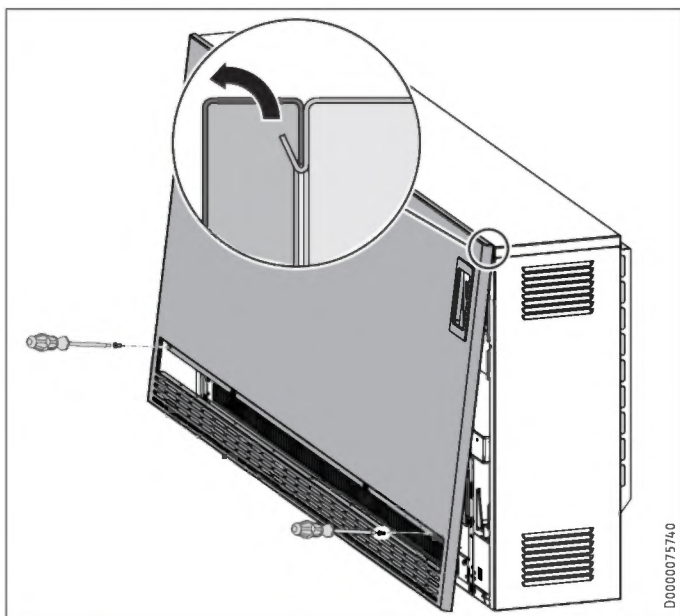
12. Szerelés

12.1 A készülék felnyitása

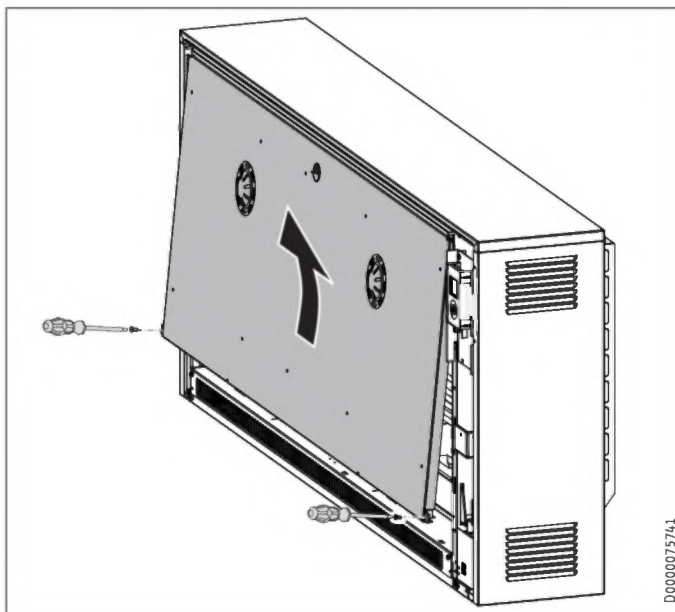


1 levegőkivezető rács

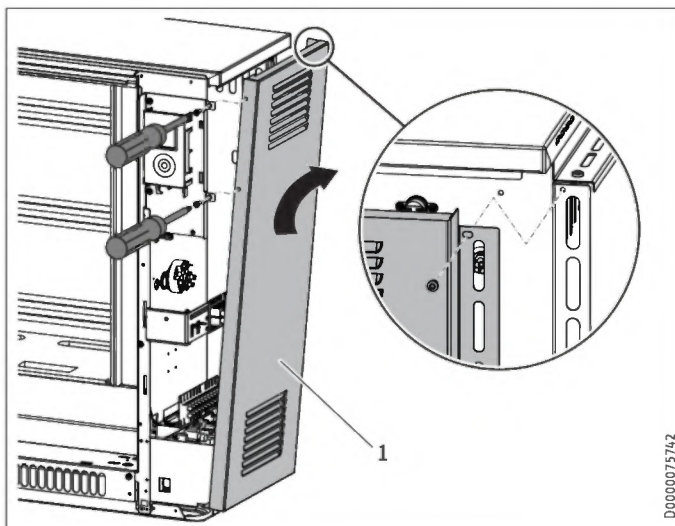
- ▶ Lazítsa meg a levegőkivezető rács mindkét negyedcsavart, és vegye le a rácsot.



- ▶ Lazítsa meg a homlokfal csavarjait.
- ▶ Húzza előre a homlokfalat, majd emelje le azt.



- ▶ Lazítsa meg a belső homlokfal csavarjait annak alsó szélénél.
- ▶ Húzza előre a belső homlokfalat, majd emelje le azt.



1 jobb oldali oldalfal (meglazított csavarkötéssel)

- ▶ Lazítsa meg a 3 csavart a jobb oldali oldalfal elején és hátulján.
- ▶ Húzza valamelyest előre az oldalfalat, majd felül billentse oldalra azt.
- ▶ Kissé emelje meg az oldalfalat, majd vegye le azt.

12.2 A feltöltés-szabályozás beállítása



Tudnivaló

Vegye figyelembe a következő adatokat. A felszerelést követően adott esetben ezeket a beállításokat – a felszerelés helyszínétől és a felszerelési változatoktól függően – csak feltételeken szabad elvégezni.

12.2.1 A csatlakozási teljesítmény csökkentése

A készülék csatlakozója gyárilag a maximális teljesítményre (100%) van huzalozva.

A sorkapcsokon található áthidalók áthelyezésével, illetve eltávolításával 3 teljesítményfokozattal csökkenteni lehet a csatlakozási teljesítményt (lásd a „Műszaki adatok / A csatlakozási teljesítmény csökkentése” c. fejezetet).

A vezeték-keresztmetszetet és a biztosítékot a készülék lehetséges maximális teljesítményére kell méretezni.



Tudnivaló

Tartsa be az illetékes áramszolgáltató előírásait.

12.2.2 Teljesítményillesztés hosszabb névleges feltöltési időtartamhoz

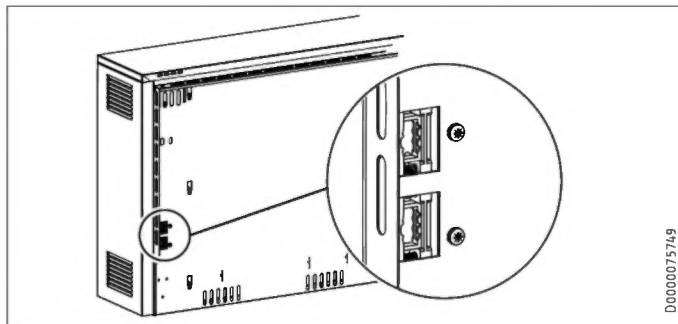
A csatlakozókapcsokon lévő áthidalók áthelyezésével, illetve eltávolításával a csatlakozási teljesítmény az áramszolgáltató által megadott névleges feltöltési időtartamhoz igazítható. Gyárilag a hőtárolót 8 óra névleges feltöltési időtartamra tervezték.

- ▶ Erre vonatkozóan vegye figyelembe a „Műszaki adatok / Teljesítmény-korrektió” c. fejezet adatait.

12.2.3 Csatlakoztatás DC vezérlőjelhez

Ha a berendezésbe egyenáramú vezérlőjellel (0,91 ... 1,43 V egyenáramú feszültség) működő feltöltés vezérlést építettek, akkor az Egyenáramú vezérlőbemenet (tartozék) szerelőkészletet kell használni. Az egyenáramú vezérlőjelnek az X3 kapcsoléc A1/Z1 „DC + (pluszpólus)” és A2/Z2 „DC - (mínuszpólus)” sorkapcsára kell bekötnie. Vegye figyelembe a polaritást.

12.3 Hálózati csatlakozó / csatlakozóvezetékek



FIGYELMEZTETÉS Áramütés

▶ A készüléken végzendő munkákat megelőzően a kapcsolószekrényben kapcsolja le a feszültséget a csatlakozóvezetésekről.

- ▶ Vezesse a hálózati csatlakozóvezetéseket, valamint a töltés- és ürítés szabályzó csatlakozóvezetéseit a hátfalon található nyílásokon keresztül a készülékbe és csatlakoztassa azokat (lásd a „Műszaki adatok / Kapcsolási rajzok” c. fejezetet).
- ▶ A csatlakozóvezetéseket kb. 260 mm hosszban helyezze el és szükség szerint rövidítse le azokat. A vezetékek nem simulhatnak az oldalfali szellőzőnyíláshoz.

12.4 Elektromos csatlakoztatás

12.4.1 Általános előírások



FIGYELMEZTETÉS Áramütés

Ha a készülék automatikus feltöltés-vezérlésre van kapcsolva, akkor az A1/Z1 és az A2/Z2 sorkapcsokon akkor is lehet feszültség, ha kivették a biztosítékokat!

A fűtőtesteket 3/N/PE~400 V elektromos hálózatra kell rákapcsolni. Az egyfázisú csatlakozókészlettel (tartozék) a készülék 1/N/PE~230 V hálózathoz is csatlakoztatható.

A bekötés kivitelezhető NYM kábellel. A bekötővezetékek és a vezeték száma, valamint a vezeték-keresztmetszetek a készülék csatlakozási teljesítményétől és a hálózati csatlakozó típusától, továbbá az áramszolgáltató különleges előírásaitól függenek.

Vegye figyelembe a kapcsolási rajzot és a teljesítményfokozatokat (lásd a „Műszaki adatok” c. fejezetet).

12.4.2 A készülék csatlakoztatása



FIGYELMEZTETÉS Áramütés

Feltétlenül ügyeljen a földelő vezeték kifogástalan csatlakoztatására.



FIGYELMEZTETÉS Áramütés

A bekötővezetékek nem lehetnek sérültek, csupaszok, illetve nem lóghatnak ki a készülékből.

- ▶ A bekötővezetéseket megfelelően vezesse.



Tudnivaló

Az X2 kapcsoléc L és N sorkapcsán tartós feszültségnek kell fennállnia.

- ▶ Biztosítsa az elektromos csatlakozóvezetékek húzásirányú terhermentesítését; ezeket a vezetéseket a készülékben (a jobb oldali oldalfal belső oldalán) vagy a „Műszaki adatok” c. fejezetben található kapcsolási rajz szerint kell bekötni.

Amennyiben a kapcsolótérben található és a hálózati csatlakozókapcsok elhelyezésére szolgáló saroklemez a csekély oldaltávolság miatt nehezen hozzáférhető, úgy a rögzítő csavar meglazítását követően az előre hajtható.

12.4.3 Működtetés fűtési védőrelé nélkül

Ha nem kell beépíteni fűtési védőrelét (részben áramszolgáltatói előírás), akkor használható a hőtároló-elektronika funkciója is.

- ▶ Ehhez csatlakoztassa az áramszolgáltató LF és N jeleit vagy a mindenkori feltöltés-vezérlés SH és N jeleit közvetlenül a hőtároló LF/SH és N sorkapcsaihoz.
- ▶ Állítsa a konfigurációs menü P15 paraméterének értékét 1-re (lásd a „Telepítés / Beállítások” c. fejezetet).

A készülékben a fűtőtestek csak akkor kapcsolódnak be, ha az áramszolgáltató megadja az LF engedélyező jelet vagy az elektromos feltöltés-szabályzó engedélyezi a feltöltést.

12.4.4 A készülék típusablája



Tudnivaló

Dokumentálja a csatlakozási teljesítményt és a névleges feltöltési időtartamot.

- ▶ Ehhez jelölje be a típusablán található megfelelő jelölőnégyzeteket.

12.5 Szerelési változatok

12.5.1 Felerősítés falra

(kellő teherbírási fal esetén)

A fali rögzítéshez a készülék hátfalában, a kapcsolótér zónájában egy lyukat irányoztak elő.

- ▶ Megfelelő csavarral erősítse a készüléket a falhoz, nehogy az lebillenessen.

12.5.2 Rögzítés padlón

Alternatív megoldásként a készüléket a talpakban található négy lyukon (Ø 9 mm) keresztül a padlóhoz lehet csavarozni.

- ▶ Szerelje ki a levegőkivezető rácsot, a homlokfalat, valamint a levegővezető részegységet (lásd a „Szerelés / A készülék felnyitása” c. fejezetet).
- ▶ Megfelelő csavarokkal rögzítse a készüléket szorosan a padlóhoz.

12.6 A hőtároló kövek behelyezése



FIGYELMEZTETÉS Égési sérülés

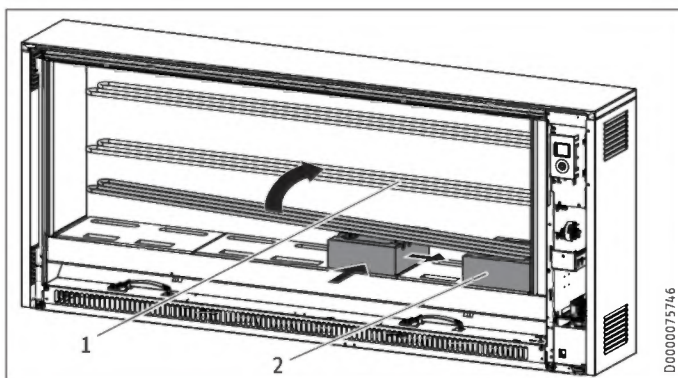
A törött hőszigetelések a burkolat túlmelegedését okozhatják.

- ▶ Ellenőrizze a készülékben lévő hőszigetelést, hogy az a szállítás közben nem sérült-e meg.
- ▶ Cserélje ki a hőszigetelés hibás részeit.

A készülékben egyáltalán nem lehetnek idegen tárgyak, például a csomagolás maradványai.

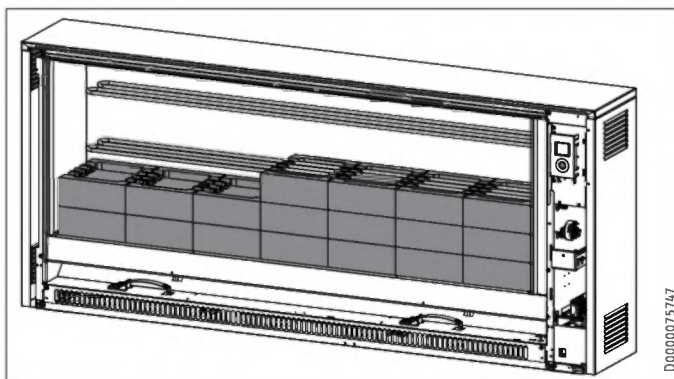
- ▶ Szerelje le a fedlapot és vegye ki a kartonbetéteket a készülék belsejéből.

A hőtároló köveket külön csomagolásban szállítjuk le. A szállítás során enyhén megsérült hőtároló kövek használhatók. Ez nem befolyásolja hátrányosan a készülék működését.

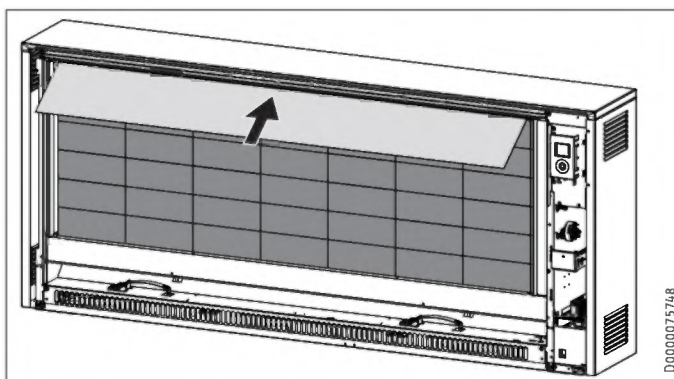


- 1 Fűtőtest
- 2 Hőtároló téglák

- ▶ A hőtároló kövek behelyezéséhez kissé emelje meg a fűtőtesteket.
- ▶ A fűtőtestek megemelésekor vigyázzon, nehogy a fűtőtestek kitérjenek az oldalsó hőszigetelésben található átmenő furatokból.
- ▶ Az első hőtároló követ a jobb oldali hőszigeteléshez képest adott távolságban kell behelyezni, úgy, hogy a fűtőtest mélyedése felfelé nézzen.
- ▶ Tolja a hőtároló követ a jobb oldali, valamint a hátsó hőszigeteléshez. A hosszukás lyukak alkotják a fűtőcsatornákat.



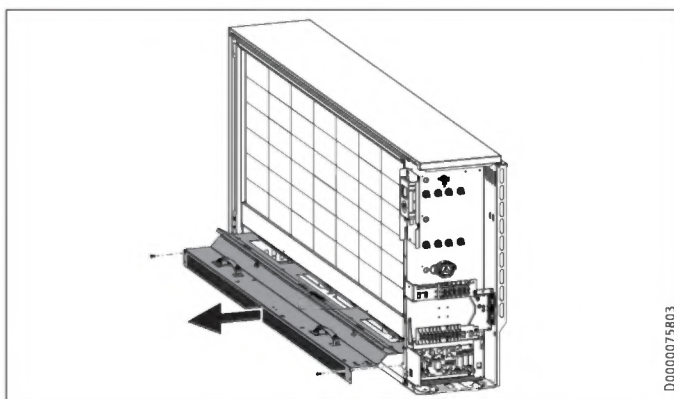
- ▶ Tegye be a további hőtároló köveket az ábrán látható sorrendben.



- ▶ Tolja a belső térből kivett fedlapot a hőtároló kövek fölé.

12.7 A készülék tisztítása

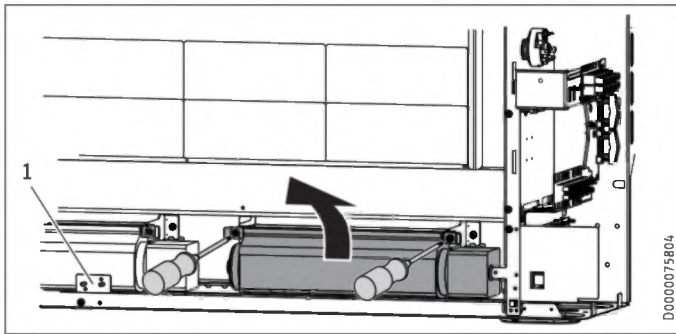
- ▶ A felállítást és a hőtároló kövek behelyezését követően tisztítsa meg a készüléket. Ehhez a következők szerint járjon el:



- ▶ Szerelje ki a levegővezető szerelvényt.

TELEPÍTÉS

Szerelés



1 Hőmérséklet-szabályzó védőrelé (M5)

- ▶ Emelje meg és vegye ki a ventilátort. Ehhez lazítsa meg az elöl, a tartó szögvasakon található csavarokat.
- ▶ Ügyeljen a kábelek elhelyezésére.

Egyes készülékeknél ehhez le kell csavarozni a biztonsági hőmérséklet-szabályzót (N5) a tartólemezzel együtt.

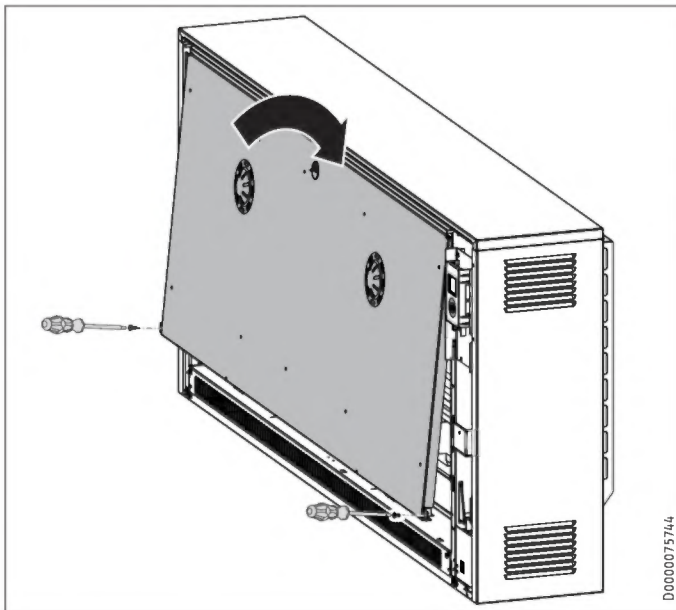


Anyagi kár

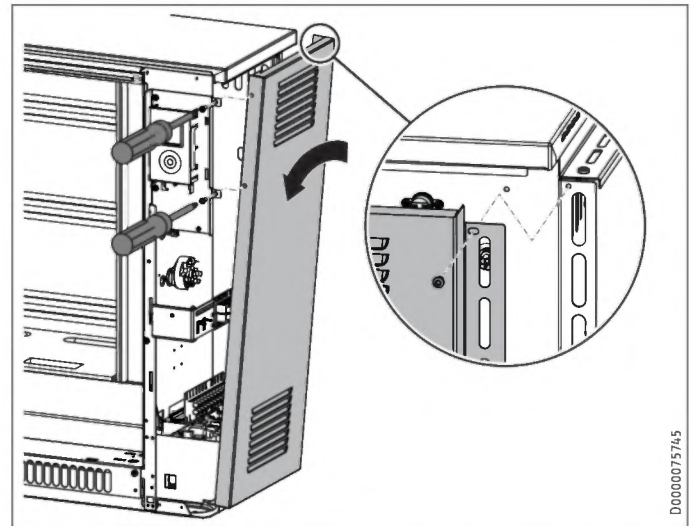
A kiszereelt alkatrészek lerakásakor vigyázzon, nehogy a huzalkötegek megrongálódjanak.

- ▶ Tisztítsa meg a fenéklemezt és a ventilátort. Vigyázzon, nehogy a lamellák megrongálódjanak.
- ▶ Ezután szerelje vissza a ventilátort, majd adott esetben a biztonsági hőmérséklet-szabályzót, valamint a levegővezető szerelvényt.
- ▶ Ügyeljen a szabályos kábelvezetésre.

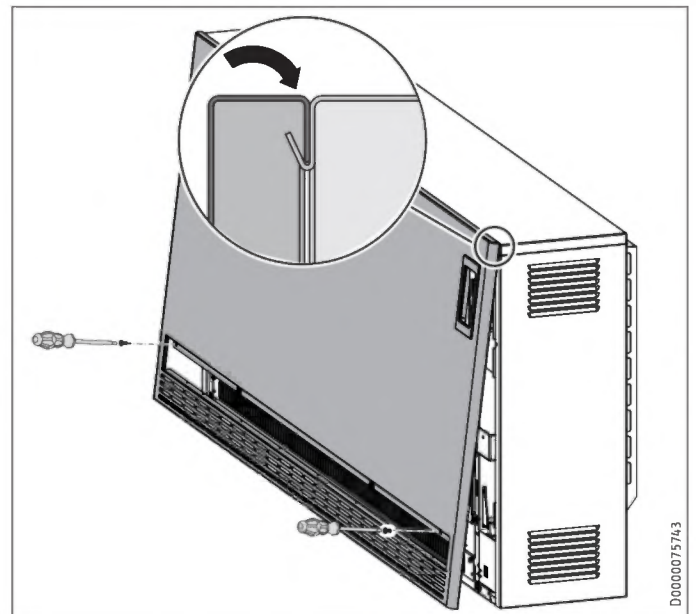
12.8 A készülék lezárása



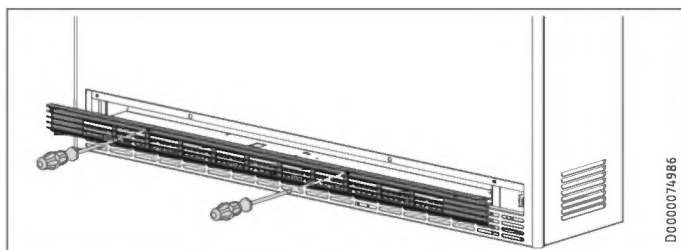
- ▶ Tegye vissza a belső homlokfalat.



- ▶ Helyezze fel a jobb oldali oldalfalat, és felül hajtsa rá azt a készülékre.
- ▶ Akassza fel felül a fedelet, és nyomja hátra azt. Ügyeljen arra, hogy az oldalfal felfeküdjön a kezelőegység tartólemezére.
- ▶ Csavarozza fel szorosan az oldalfalat a 3 csavarral és a fogastárcsákkal.



- ▶ A homlokfal felszerelése előtt húzza le a védőfóliát a kezelőegységről.
- ▶ Helyezze vissza a homlokfalat.
- ▶ Csavarozza fel szorosan a homlokfalat csavarokkal és a fogastárcsákkal.



- ▶ Erősítse fel a levegőkivezető rácsot a két negyedes forgózárrel.

13. Beállítások

13.1 Konfigurációs menü

A konfigurációs menübe a „Menü“ gomb lenyomva tartásával léphetünk. Kb. 3 mp elteltével megjelenik az I1 tényleges érték.

Kijelző	Leírás
I1-I2	Tényleges értékek
Pro1-Pro3	Időprogramok
P1-P5	Paraméterek
CodE	Hozzáférés szakember számára

Négyjegyű számkód bevitelét követően a szakszerelő számára fenntartott kiegészítő tényleges értékek és paraméterek elérhetők.

Jogosultsági szint	Leírás
A0	Azok a tényleges értékek és paraméterek, amelyek a készülék felhasználója számára engedélyezettek és ezért kód megadása nélkül elérhetők.
A1	Tényleges értékek és paraméterek a szakszerelő számára.

13.1.1 Kód bevitele

A gyárilag programozott kód 1000.

- ▶ A „+“ vagy a „-“ gombbal hívja be a „CodE“ menüpontot. A kijelzőn váltakozva a menüpont és az A0 jogosultsági szint lesz látható.
- ▶ Nyomja le az „OK“ nyomógombot. A kódbevitel kijelzésre kerül. Az első számjegy villogni kezd.
- ▶ A „+“ vagy a „-“ gombbal állítsa be az 1000 értéket. Minden egyes bevitt számjegy után nyomja le az „OK“ nyomógombot.

A helyes kód bevitelét követően korábban letiltott kiegészítő tényleges értékek és paraméterek válnak láthatóvá.

13.1.2 Tényleges értékek

Kijelző	Leírás	Jogosultsági szint	Egység
I1	A helyiség-hőmérséklet tényleges értéke	A0	[°C] [°F]
I2	A fűtés relatív időtartama (a P5 paraméter segítségével le lehet nullázni a számlálót).	A0	[óra]
I3	A következő feltöltés töltöttségfok-alapjele	A1	[%]
I4	Tényleges töltöttségfok	A1	[%]

13.1.3 Paraméterek

Kijelző	Leírás	Jogosultsági szint	Opciók
P1	Helyiség-hőmérséklet-eltolás	A0	±3 °C ±5 °F
P2	Időformátum	A0	12 24 óra
P3	A hőmérséklet-kijelző mértékegysége	A0	°C °F
P4	Időprogramok visszaállítása	A0	be ki
P5	A fűtés relatív időtartamának visszaállítása	A0	be ki
P6	SL-vezérlőjel	A1	0 1
P7	A ventilátorvezérlés módja	A1	0 1
P8	A kikapcsolási hőmérséklet csökkentése	A1	100 % 90 % 80 % 70 %
P12	Kiegészítő fűtés	A1	0 1
P14	A hőforrás töltöttségfok-alapjele	A1	1 2 3
P15	A hőforrás csúcsidőn kívüli tarifájának engedélyezése	A1	0 1
P17	ED-rendszer	A1	30 - 80 %
P18	Üzemzavarok	A1	0 1

Ha módosítani kívánja egy paraméter értékét, akkor a „+“ gombbal válassza ki a vonatkozó paramétert. Nyomja le az „OK“ nyomógombot.

Amint megjelenik a „Szerkeszthető paraméter“ szimbólum, a „+“ és a „-“ gombbal módosítani lehet a paraméter értékét. A beállított érték mentéséhez nyomja le az „OK“ gombot.

A „Menü“ nyomógomb lenyomása esetén, vagy ha kezelő 10 mp-nél hosszabb ideig semmilyen műveletet nem végez, a készülék automatikusan átkapcsol a normál kijelzőre. A paraméter újra be van kapcsolva.

P6: SL-vezérlőjel

Opciók	Leírás
0	SL-bemenet kikapcsolva (gyári beállítás): A ventilátorvezérlés a készülékbe integrált helyiség-hőmérséklet-szabályzóval történik.
1	SL-bemenet bekapcsolva: A ventilátorvezérlés a falra szerelt 2-pontos helyiség-hőmérséklet-szabályzóval történik.

P7: A ventilátorvezérlés módja

Opciók	Leírás
0	2-pontos szabályzó: A ventilátor a készülékbe beépített helyiség-hőmérséklet-szabályzó hőszükségletének megfelelően be- és kikapcsol.
1	Proporcionális szabályzó (gyári beállítás): A ventilátormotorok fordulatszámát a készülékbe épített helyiség-hőmérséklet-szabályzó fokozatmentesen fogja a hőszükséglethez illeszteni.

P8: A kikapcsolási hőmérséklet csökkentése

A P8 paraméterrel a változtatható csatlakozóteljesítménnyel összefüggésben négy különböző feltöltési fokozatot lehet az elektronikus feltöltés-szabályzó számára kiválasztani (100%, 90%, 80% vagy 70%). A gyári beállítás 100% (nincs csökkentés).

Másik beállítás kiválasztása csökkentett töltöttségi fokot fog eredményezni (csökken az elektronikus feltöltés-szabályzó lekapcsolási hőmérséklete). Lásd a „Műszaki adatok / A csatlakozási teljesítmény csökkentése a feltöltés 8 órás névleges időtartamának megtartásával“ c. fejezetet.

TELEPÍTÉS

Üzembe helyezés

P12: Kiegészítő fűtés (tartozék)

Opciók	Leírás
0	Ha a készülékbe nincs kiegészítő fűtés beszerelve (gyári beállítás).
1	A készülékbe szerelt kiegészítő fűtés bekapcsol.

P14: A hőforrás töltöttségifok-alapjele

Opciók	Leírás
1	Időjárás-vezérelt feltöltés-vezérlés nélküli készülékek esetén. A feltöltési mennyiség a feltöltöttség-csökkentőn keresztül szabályozható.
2	A feltöltés-szabályozó vezeték váltakozó áramú vezérlőjelre van kapcsolva (gyári beállítás).
3	A feltöltés-szabályozó vezeték egyenáramú vezérlőjelre van kapcsolva.

P15: A hőforrás csúcsidőn kívüli tarifájának engedélyezése

Opciók	Leírás
0	Állandó engedélyezés (gyári beállítás): A készülékben a fűtőtestek akkor kapcsolódnak be, ha a fűtés védőrelé és az elektronikus feltöltés-szabályozó engedélyezi a feltöltést.
1	LF hardverjel: A készülékben a fűtőtestek csak akkor kapcsolódnak be, ha az áramszolgáltató megadja az LF engedélyező jelet vagy az elektronikus feltöltés-szabályozó engedélyezi a feltöltést.

P17: ED-rendszer

A feltöltés-szabályozó vezetéknek váltakozó áramú vezérlőjelre kell csatlakoznia (váltakozó áramú jel az A1 és A2 sorkapcsokon).

A készülék elektronikus feltöltés-szabályozója az ED-rendszerek 80%, 72%, 68%, 40% és 37%- feltöltés-vezérlésével üzemeltethető. A gyári beállítás 80%-os ED-rendszeri vezérléssel számol.

Ha a készüléket más ED-rendszeri vezérléssel kívánja működtetni, akkor ezt a paramétert a megfelelő százaléktértekre kell átállítani.

P18: Üzemzavarok

Opciók	Leírás
0	A készülékben található feltöltés-szabályozó „negatív üzemzavari viselkedésre” van beállítva (a feltöltés-vezérlés meghibásodása esetén a hőtároló nem lesz feltöltve). Ez a beállítás csak digitális feltöltés-vezérlésekkel való működtetés esetén működik. Váltakozó áramú feltöltés-vezérlések esetén kiegészítő 80%-os ED-jelre van szükség.
1	A készülékben található feltöltés-szabályozó „pozitív üzemzavari viselkedésre” van beállítva (gyári beállítás). Ez azt jelenti, hogy a feltöltés-vezérlés meghibásodása (például a vezérlőjel kimaradása) esetén a készülék teljes feltöltést kap.

14. Üzembe helyezés

14.1 Üzembe helyezés előtti ellenőrzés

Az üzembe helyezés előtt a ellenőrizni lehet a funkciók működését. Ehhez használja a konfigurációs menü üzembe helyezési üzemmódját.

- ▶ A konfigurációs menü eléréséhez tartsa 3 másodpercig lenyomva a „Menü” nyomógombot.

Először engedélyezni kell a szakszerelőknek fenntartott A1 jogosultsági szintet.

- ▶ A „+” vagy a „-” gombbal hívja be a „CodE” menüpontot.
- ▶ Nyomja le az „OK” nyomógombot.
A kódbevitel kijelzésre kerül. Az első számjegy villogni kezd.
- ▶ A „+” vagy a „-” gombbal állítsa be az 1000 értéket. Minden egyes bevitt számjegy után nyomja le az „OK” nyomógombot.
- ▶ A helyes kódbevitelt követően a „+” nyomógombbal hívja elő az 14 tényleges értéket.
- ▶ Az üzembe helyezési üzemmód eléréséhez tartsa 3 másodpercig egyidejűleg lenyomva a „Menü” és a „+” nyomógombot.

Az üzembe helyezési üzemmódban nincs első feltöltés. A feltöltési mennyiség a feltöltöttség-csökkentő beállításának felel meg. A kijelzőn a feltöltöttség előrehaladásának megfelelő százaléktértek jelenik meg.



Tudnivaló

- Ha a feltöltöttség-csökkentőt 0%-ra állítja, akkor nem lesz feltöltés.
- A feltöltési mennyiség elérését követően a készülék automatikus kilép az üzembe helyezési üzemmódból.

- ▶ A ventilátorengedélyezés „Ventilátor” nyomógombbal történő bekapcsolásával ellenőrizze a ventilátor működését.



Tudnivaló

A ventilátor csak a feltöltéskor működik.

- ▶ Az üzembe helyezési üzemmódból való kilépéshez tartsa 3 másodpercig egyidejűleg lenyomva a „Menü” és a „-” nyomógombot.

14.2 Első üzembe helyezés

A felszerelést követően a készülék közvetlenül üzembe helyezhető.

- ▶ Állítsa be a feltöltést a feltöltöttség-csökkentő vagy a feltöltés-vezérlés segítségével.

14.2.1 Feltöltés

Az első feltöltéskor szagosodás jelentkezhet.

- ▶ Gondoskodjon a helyiség megfelelő szellőzéséről. Az ablak bukó állásában például 1,5-szeres légcserét lehet biztosítani.

Ha a készüléket hálósobában szerelik fel, akkor az első feltöltésre ne alvás közben kerüljön sor.

15. A készülék átalakítása

Átalakítás, felszerelés és a beépítés esetén a mindenkor szerelő-készlethez mellékelt útmutatást kell követni.

16. A készülék átadása

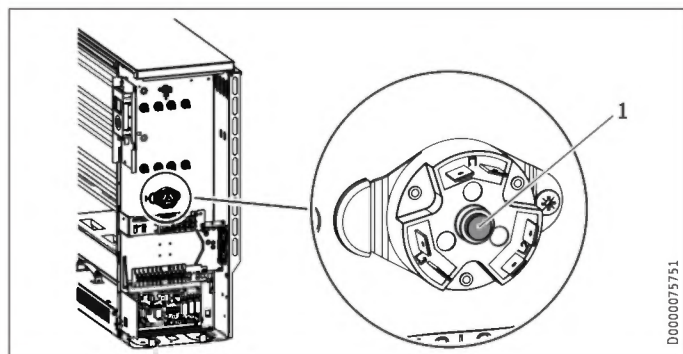
Mutassa be a felhasználónak a készülék funkcióit. Külön hívja fel a figyelmét a biztonsági szempontokra. Adja át a felhasználónak a kezelési és telepítési útmutatót.

17. Hibaelhárítás

17.1 Üzemzavar-elhárítási táblázat

Üzemzavar	Ok	Elhárítás
A készülék nem melegszik fel.	A fűtőtest védőreléje nem szabályosan működik. Megszűnt a hőtároló feszültségellátása. Megszűnt a feltöltés-szabályzó feszültségellátása.	Ellenőrizze a fűtőtest védőreléjének működtetését. Ellenőrizze a biztosítékot a központi elosztóban. Ellenőrizze a feszültségellátást. Lásd az „Elektromos csatlakoztatás” és/vagy a „Műszaki adatok” c. fejezetet.
	A biztonsági hőmérséklet-korlátozó (F1) kioldott.	Ismét aktiválja a hőmérséklet-korlátozót (lásd az „A biztonsági hőmérséklet-korlátozó aktiválása” c. fejezetet).
	Rosszul van beállítva a feltöltés-vezérlés. A feltöltés-szabályzó kifogástalanul működik.	Ellenőrizze a feltöltés-vezérlés beállításait. Ellenőrizze a konfigurációs menü P14, P15, P17 és P18 paramétereinek beállításait (lásd a „Telepítés / Beállítások” c. fejezetet).
Enyhe kültéri hőmérsékletnél a készülék túlságosan feltöltődik (feltöltés-vezérlés használatakor).	A vezérlőjel továbbítása megszakadt. Rosszul van beállítva a fűtési jelleggörbe. A kültérihőmérséklet-érzékelő meghibásodott. A feltöltés-szabályzó téves vezérlőjelet továbbít.	Ellenőrizze, hogy a feltöltés-vezérlés vezérlőjele fennáll-e a hőtárolóban. Ellenőrizze a feltöltés-vezérlés beállításait. Mérje le végig a kültérihőmérséklet-érzékelőt és adott esetben cserélje ki. Ellenőrizze a konfigurációs menü P17 és P18 paramétereinek beállításait (lásd a „Telepítés / Beállítások” c. fejezetet).
Enyhe kültéri hőmérsékletnél a készülék túlságosan feltöltődik (a feltöltés kézi beállításakor).	A hőtárolón található feltöltöttség-csökkentő beállításai.	Ellenőrizze a feltöltöttség-csökkentő beállítását.
A készülék nem ürül.	A ventilátorok nem forognak. Eltömődött a levegőbemeneti szűrőbetét.	Ellenőrizze... ... a konfigurációs menü P6 paraméterének beállításait (lásd a „Telepítés / Beállítások” c. fejezetet). ... hogy a ventilátor engedélyezése be van-e kapcsolva. ... hogy a hőtárolóban fennáll-e a ventilátorfeszültség. Tisztítsa meg a szűrőbetétet. Lásd a „Tisztítás, ápolás és karbantartás” c. fejezetet. Ellenőrizze, hogy akadályozza-e valami (például bolyhos szőnyeg) a levegő hozzáférést. Ellenőrizze, hogy működésbe lépett-e a hőmérséklet-szabályzó védőrelé (N5) a levegőkivezető nyílásban.
A kijelzőn az „E1” hibakód jelenik meg.	A helyiség hőmérséklet-érzékelő hibás.	Mérje le végig a helyiség hőmérséklet-érzékelőt és adott esetben cserélje ki.
A kijelzőn az „E2” hibakód jelenik meg.	A maghőmérséklet-érzékelő hibás.	Mérje le végig a maghőmérséklet-érzékelőt és adott esetben cserélje ki.
A kijelzőn az „E3” hibakód jelenik meg.	Az egyenáramú vezérlőjel csatlakoztatásakor ügyelni kell a polaritásra.	Ellenőrizze az egyenáramú vezérlőjel csatlakoztatását.

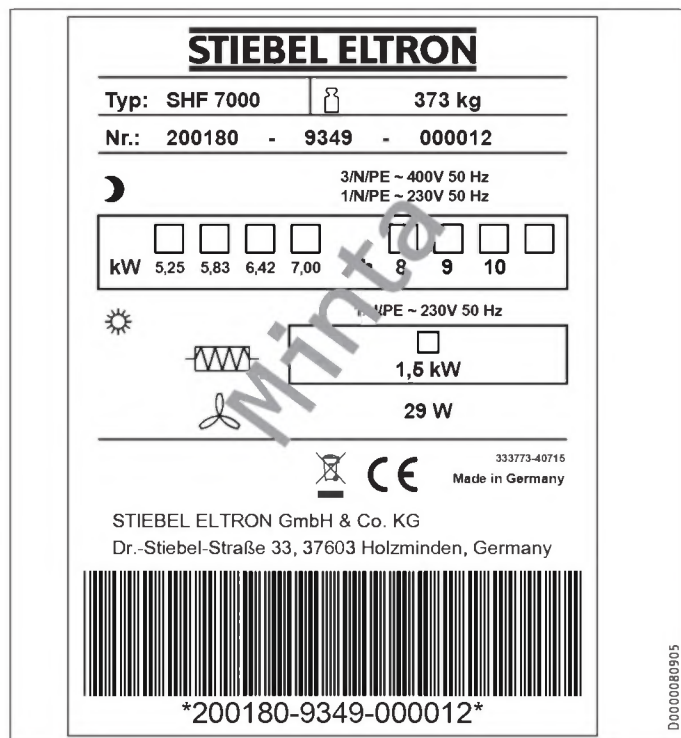
17.1.1 A biztonsági hőmérséklet-korlátozó (F1) aktiválása





1 Biztonsági hőmérséklet-korlátozó visszaállító gomb

A biztonsági hőmérséklet-korlátozót a hibát kiváltó ok elhárítását követően, a visszaállító gomb lenyomásával újra engedélyezni lehet.

17.2 A típustábla szimbólumai



A típustábla szimbólumai (az SHF 7000 példáján)

-  Összsúly
-  Feltöltés
-  Ürítés
-  kiegészítő fűtés
-  Ventilátor

18. Karbantartás és tisztítás

A levegőkivezető rács mögötti ventilátorcsatornát kétfévente felül kell vizsgálatni. Itt előfordulhat kismértékű piszoklerakódás.

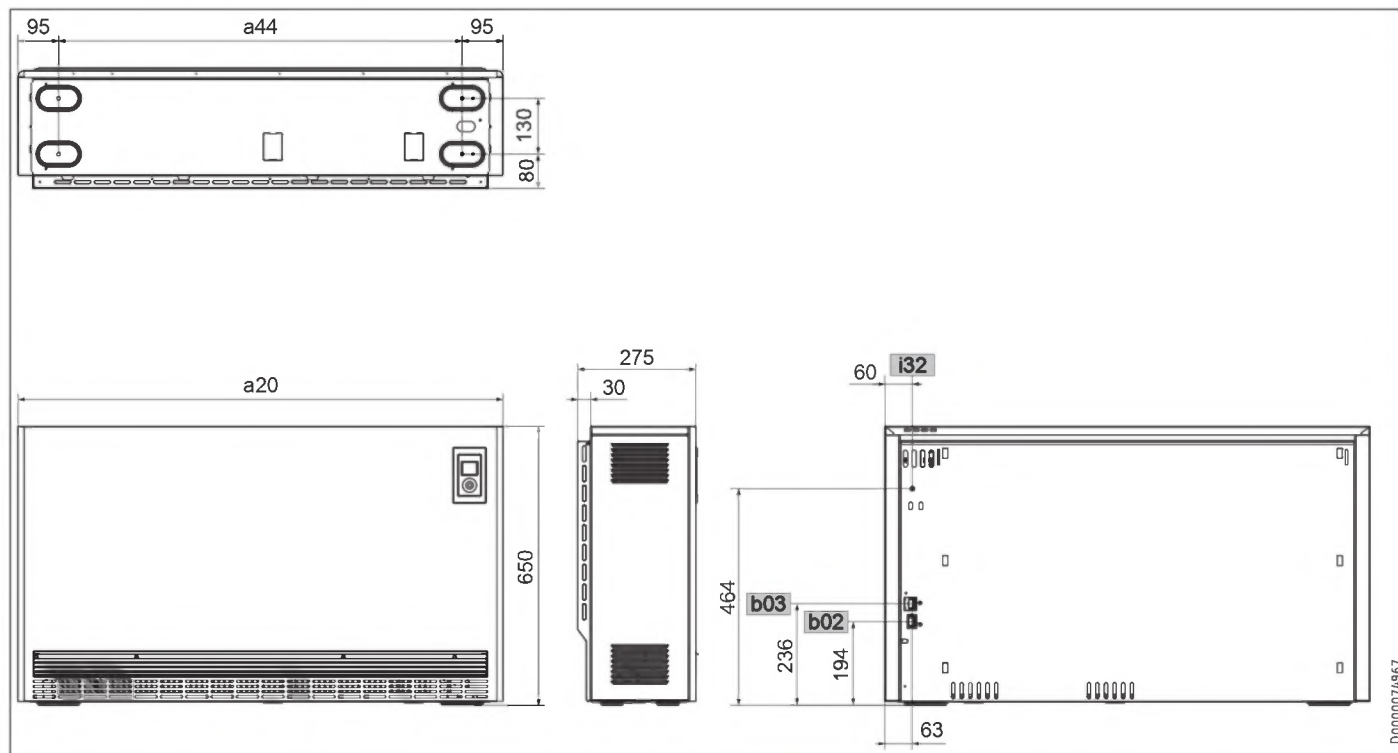
**Tudnivaló**

Javasoljuk, hogy a rendszeres karbantartás során az ellenőrző és szabályozó szerkezeteket is ellenőriztesse.

- ▶ Legkésőbb az első üzembe helyezéstől számított 10 éven belül, szakemberrel ellenőriztesse a biztonsági, ellenőrző és szabályozó szerkezeteket, valamint a teljes feltöltés- és ürítés-vezérlő rendszert.

19. Műszaki adatok

19.1 Méretek és csatlakozók



			SHF 2000	SHF 3000	SHF 4000	SHF 5000	SHF 6000	SHF 7000	
a20	Készülék	Szélesség	mm	605	780	955	1130	1305	1480
a44	Készülék	Az állítható lábak távolsága	mm	415	590	765	940	1115	1290
b02	Elektr. vezeték átvezetése I								
b03	Elektr. vezeték átvezetése II								
i32	Rögzítés								

TELEPÍTÉS

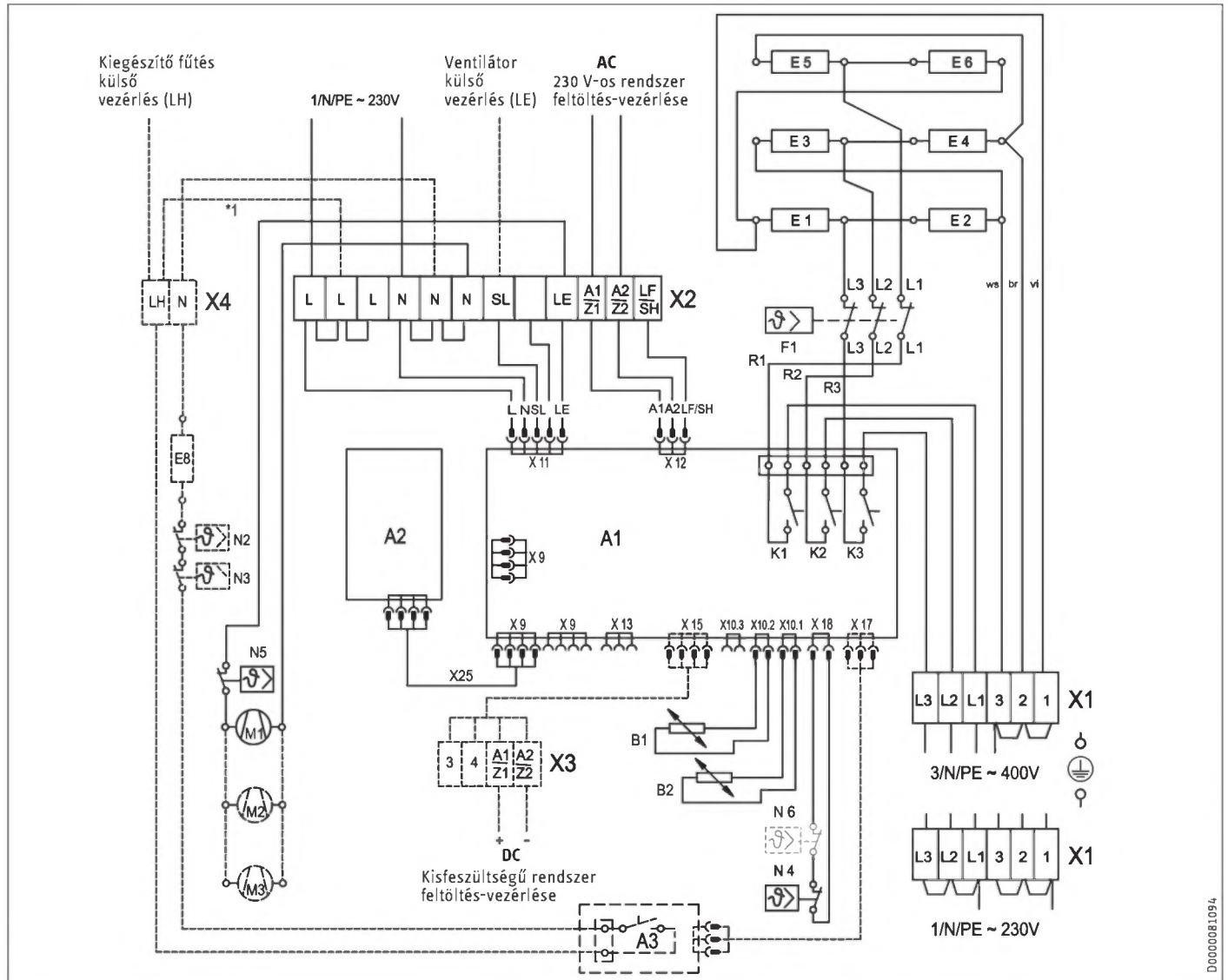
Műszaki adatok

19.2 Elektromos kapcsolási rajz



Anyagi kár

Gondoskodni kell arról, hogy az L, L1 hálózati feszültség és a különféle SL, A1, A2, LF, SH, LE és LH vezérlőjelek minden egyes csatlakozása között maximum 230 V-os feszültségkülönbség álljon fenn.



Tároló rész

- A1 Elektronikus feltöltés-/űrités-szabályzó
- A2 A kezelőfelület elektronikája
- B1 Magérzékelő - feltöltés
- B2 Helyiség hőmérséklet-érzékelő - űrités
- F1 Biztonsági hőmérséklet-korlátozó
- E1-E6 Fűtőtest
- M1-M3 A hőtároló ventilátora
- N4 Hőmérséklet-korlátozó - feltöltés
- N5 Biztonsági hőmérséklet-szabályzó
- N6 Hőmérséklet-korlátozó - töltöttségi fok csak 6 ... 7 kW esetén
- X25 Belső összekötő vezeték A1-A2
- X1 Hálózati csatlakozókapocs
- X2 Csatlakozókapocs

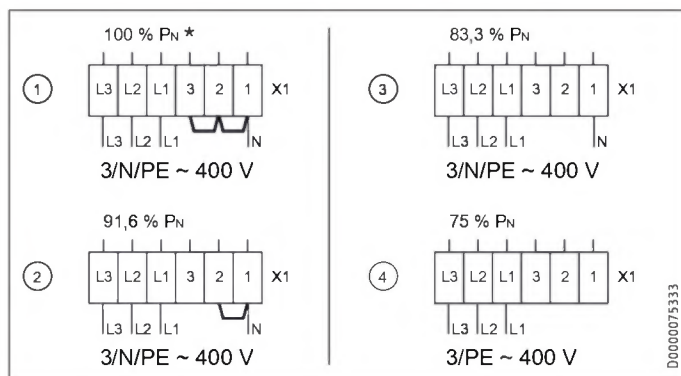
Rendelhető tartozékok

(A készlet nem tartalmazza. A jelölőnégyzetekben kereszttel jelölje be a mindenkori beépített tartozékokat).

- DC csatlakozó**
- X3 Csatlakozókapocs (0,91 ... 1,43 V)
- Kiegészítő fűtés** (belső vezérlés)
*1 / LH - L huzalköteg
- Kiegészítő fűtés** (külső vezérlés)
- A3 Kiegészítőfűtés-modul reléje
- E8 Kiegészítő fűtőtest
- N2 Hőmérséklet-szabályzó - kiegészítő fűtés
- N3 Hőmérséklet-szabályzó - kiegészítő fűtés
- X4 Csatlakozókapocs

19.3 A csatlakozási teljesítmény csökkentése

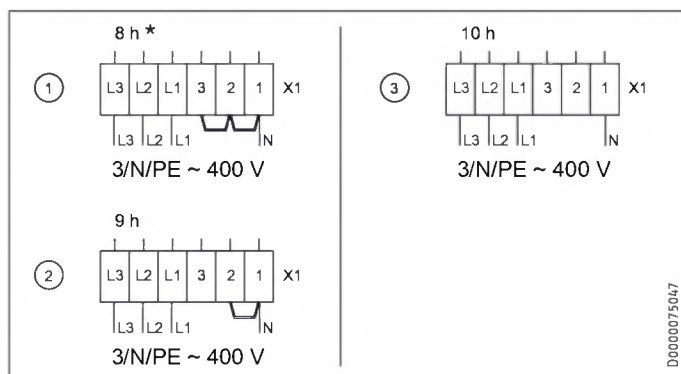
Bekötési változatok (8 órás fűtőtest)		①	②	③	④
		100 %	91,6 %	83,3 %	75 %
Típusok					
SHF 2000	kW	2,00	1,83	1,67	1,50
SHF 3000	kW	3,00	2,75	2,50	2,25
SHF 4000	kW	4,00	3,66	3,33	3,00
SHF 5000	kW	5,00	4,58	4,16	3,75
SHF 6000	kW	6,00	5,50	5,00	4,50
SHF 7000	kW	7,00	6,42	5,83	5,25



* Soros kapcsolás

19.4 Teljesítménykorrekció (a feltöltés névleges időtartama)

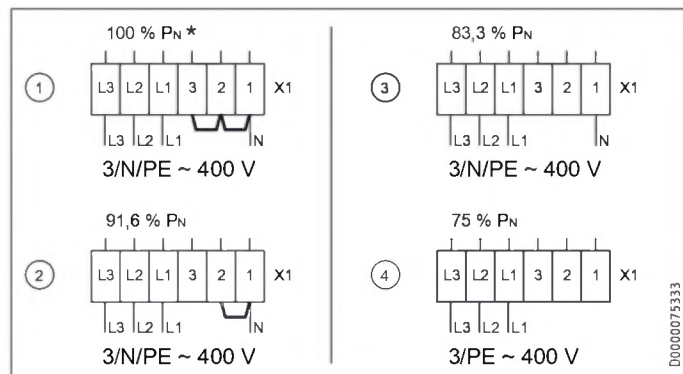
Fűtőtest kivitele (8 órás fűtőtest)		8 óra	9 óra	10 óra
A feltöltés névleges időtartama		①	②	③
Típusok				
SHF 2000	kW	2,00	1,83	1,67
SHF 3000	kW	3,00	2,75	2,50
SHF 4000	kW	4,00	3,66	3,33
SHF 5000	kW	5,00	4,58	4,16
SHF 6000	kW	6,00	5,50	5,00
SHF 7000	kW	7,00	6,42	5,83



* Soros kapcsolás

19.5 A csatlakozási teljesítmény csökkentése a feltöltés 8 órás névleges időtartamának megtartásával

Csatlakozási teljesítmények (8 óra – fűtőtest)		①	②	③	④
Bekötési változatok		100 %	91,6 %	83,3 %	75 %
Csatlakozóteljesítmények		100 %	90 %	80 %	70 %
A P8 paraméteren keresztül választható feltöltési fokozatok					



* Soros kapcsolás

TELEPÍTÉS

Műszaki adatok

19.6 Energiafogyasztási adatok

A termékadatok teljesítik az energiát fogyasztó termékek környezetbarát tervezésére vonatkozó uniós előírásokat.

Termékinformációk elektromos egyedi helyiségfűtő berendezésekhez az (EU) 2015/1188 rendelet szerint

		SHF 2000	SHF 3000	SHF 4000	SHF 5000	SHF 6000	SHF 7000
		200175	200176	200177	200178	200179	200180
Gyártó		STIEBEL ELTRON	STIEBEL ELTRON	STIEBEL ELTRON	STIEBEL ELTRON	STIEBEL ELTRON	STIEBEL ELTRON
Hőteljesítmény							
Névleges hőteljesítmény P_{nom}	kW	1,0	1,5	2,0	2,5	3,0	3,5
Minimális hőteljesítmény (irányadó érték) P_{min}	kW	0,0	0,0	0,0	0,0	0,0	0,0
Maximális folyamatos hőteljesítmény $P_{max,c}$	kW	1,3	2,3	3,0	3,5	4,3	4,9
Segédáram-fogyasztás							
Névleges hőteljesítménynél $e_{l,max}$	kW	0,000	0,000	0,000	0,000	0,000	0,000
Minimális hőteljesítménynél $e_{l,min}$	kW	0,000	0,000	0,000	0,000	0,000	0,000
Készenléti állapotban $e_{l,SB}$	kW	0,000	0,000	0,000	0,000	0,000	0,000
A hőátadás szabályozásának módja							
A hőátadás kézi szabályozása beépített termosztáttal		-	-	-	-	-	-
A hőátadás kézi szabályozása a helyiség-hőmérséklet és/vagy a külső hőmérséklet visszajelzésével		-	-	-	-	-	-
A hőátadás elektronikus szabályozása a helyiség-hőmérséklet és/vagy a külső hőmérséklet visszajelzésével		x	x	x	x	x	x
Hőátadás ventilátoros támogatással		x	x	x	x	x	x
A hőteljesítmény jellege/helyiség-hőmérséklet-ellenőrzés							
Egyfokozatú hőteljesítmény, nincs helyiség-hőmérséklet-ellenőrzés		-	-	-	-	-	-
Kettő vagy több manuálisan beállítható fokozat, nincs helyiség-hőmérséklet-ellenőrzés		-	-	-	-	-	-
Helyiség-hőmérséklet-ellenőrzés mechanikus hőfokszabályozóval		-	-	-	-	-	-
Elektronikus helyiség-hőmérséklet-ellenőrzéssel		-	-	-	-	-	-
Elektronikus helyiség-hőmérséklet-ellenőrzés és napszak szerinti szabályozás		-	-	-	-	-	-
Elektronikus helyiség-hőmérséklet-ellenőrzés és a hét napjai szerinti szabályozás		x	x	x	x	x	x
Egyéb szabályozási lehetőségek							
Helyiség-hőmérséklet-ellenőrzés jelenlét-észleléssel		-	-	-	-	-	-
Helyiség-hőmérséklet-ellenőrzés nyitott ablak észlelésével		x	x	x	x	x	x
Távműködtetési lehetőséggel		-	-	-	-	-	-
A fűtés kezdetének adaptív szabályozásával		x	x	x	x	x	x
Üzemidő-korlátozással		-	-	-	-	-	-
Sugárzást hőmérővel		-	-	-	-	-	-

TELEPÍTÉS

Műszaki adatok

19.7 Adattábla

		SHF 2000	SHF 3000	SHF 4000	SHF 5000	SHF 6000	SHF 7000
		200175	200176	200177	200178	200179	200180
Elektromos adatok							
Csatlakozási teljesítmény	W	2000	3000	4000	5000	6000	7000
Névleges feszültség	V	~400	~400	~400	~400	~400	~400
Fázis		3/N/PE	3/N/PE	3/N/PE	3/N/PE	3/N/PE	3/N/PE
Frekvencia	Hz	50/-	50/-	50/-	50/-	50/-	50/-
Névleges feltöltés	kWh	16	24	32	40	48	56
Elektromos kiegészítő fűtés	kW	0,35	0,5	0,8	1,0	1,2	1,5
Energetikai adatok							
Központi fűtés éves hatékonysága η_s	%	39,5	39,5	39,5	39,5	39,5	39,5
Méretetek							
Magasság	mm	650	650	650	650	650	650
Szélesség	mm	605	780	955	1130	1305	1480
Mélység	mm	275	275	275	275	275	275
Súlyadatok							
Súly	kg	32	40	48	56	64	72
Súly (hőtároló kövekkel)	kg	118	169	220	271	322	373
Kívitelí változatok							
Szín		alpesi fehér	alpesi fehér	alpesi fehér	alpesi fehér	alpesi fehér	alpesi fehér
Értékek							
4 fokozatú töltöttség-csökkenés		100/90/80/70	100/90/80/70	100/90/80/70	100/90/80/70	100/90/80/70	100/90/80/70
Hővisszatartási képesség	%	48	53	55	56	58	59
Üzemi zaj	dB(A)	30	32	33	34	34	34
Kereskedelmi sajátosságok							
Hőtároló téglacsomagok száma		6	9	12	15	18	21

Garancia

A Németországon kívül vásárolt készülékekre nem érvényesek cégünk németországi vállalatának garanciális feltételei. Az olyan országokban, amelyekben termékeinket egy leányvállalatunk terjeszti, a garanciát elsősorban a leányvállalatunk biztosítja. Garancia csak akkor nyújtható, ha az adott leányvállalat kiadta saját garanciális feltételeit. Azon felül semmilyen garanciát nem nyújtunk.

Az olyan készülékekre nem tudunk garanciát biztosítani, amelyek olyan országokban vásároltak meg, amelyekben nincs leányvállalatunk. Ezek a rendelkezések nem érintik az importőr által biztosított esetleges garanciát.

Környezetvédelem és újrahaznosítás

Kérjük, segítsen a környezet védelmében. Használat után az anyagokat a helyi hatósági előírások szerint kell hulladékba juttatni.

JEGYZETEK

Deutschland

STIEBEL ELTRON GmbH & Co. KG
Dr.-Stiebel-Straße 33 | 37603 Holzminden
Tel. 05531 702-0 | Fax 05531 702-480
info@stiebel-eltron.de
www.stiebel-eltron.de

Verkauf

Tel. 05531 702-110 | Fax 05531 702-95108 | info-center@stiebel-eltron.de

Kundendienst

Tel. 05531 702-111 | Fax 05531 702-95890 | kundendienst@stiebel-eltron.de

Ersatzteilverkauf

Tel. 05531 702-120 | Fax 05531 702-95335 | ersatzteile@stiebel-eltron.de

Australia

STIEBEL ELTRON Australia Pty. Ltd.
6 Prohasky Street | Port Melbourne VIC 3207
Tel. 03 9645-1833 | Fax 03 9645-4366
info@stiebel.com.au
www.stiebel.com.au

Austria

STIEBEL ELTRON Ges.m.b.H.
Gewerbegebiet Neubau-Nord
Margaritenstraße 4 A | 4063 Hörsching
Tel. 07221 74600-0 | Fax 07221 74600-42
info@stiebel-eltron.at
www.stiebel-eltron.at

Belgium

STIEBEL ELTRON bvba/sprl
't Hofveld 6 - D1 | 1702 Groot-Bijgaarden
Tel. 02 42322-22 | Fax 02 42322-12
info@stiebel-eltron.be
www.stiebel-eltron.be

China

STIEBEL ELTRON (Guangzhou) Electric
Appliance Co., Ltd.
Rm 102, F1, Yingbin-Yihao Mansion, No. 1
Yingbin Road
Panyu District | 511431 Guangzhou
Tel. 020 39162209 | Fax 020 39162203
info@stiebeleltron.cn
www.stiebeleltron.cn

Czech Republic

STIEBEL ELTRON spol. s r.o.
K Hájm 946 | 155 00 Praha 5 - Stodůlky
Tel. 251116-111 | Fax 235512-122
info@stiebel-eltron.cz
www.stiebel-eltron.cz

Finland

STIEBEL ELTRON OY
Kapinakuja 1 | 04600 Mäntsälä
Tel. 020 720-9988
info@stiebel-eltron.fi
www.stiebel-eltron.fi

France

STIEBEL ELTRON SAS
7-9, rue des Selliers
B.P 85107 | 57073 Metz-Cédex 3
Tel. 0387 7438-88 | Fax 0387 7468-26
info@stiebel-eltron.fr
www.stiebel-eltron.fr

Hungary

STIEBEL ELTRON Kft.
Gyár u. 2 | 2040 Budaörs
Tel. 01 250-6055 | Fax 01 368-8097
info@stiebel-eltron.hu
www.stiebel-eltron.hu

Japan

NIHON STIEBEL Co. Ltd.
Kowa Kawasaki Nishiguchi Building 8F
66-2 Horikawa-Cho
Saiwai-Ku | 212-0013 Kawasaki
Tel. 044 540-3200 | Fax 044 540-3210
info@nihonstiebel.co.jp
www.nihonstiebel.co.jp

Netherlands

STIEBEL ELTRON Nederland B.V.
Daviottenweg 36 | 5222 BH 's-Hertogenbosch
Tel. 073 623-0000 | Fax 073 623-1141
info@stiebel-eltron.nl
www.stiebel-eltron.nl

Poland

STIEBEL ELTRON Polska Sp. z O.O.
ul. Działkowa 2 | 02-234 Warszawa
Tel. 022 60920-30 | Fax 022 60920-29
biuro@stiebel-eltron.pl
www.stiebel-eltron.pl

Russia

STIEBEL ELTRON LLC RUSSIA
Urzhumskaya street 4,
building 2 | 129343 Moscow
Tel. 0495 7753889 | Fax 0495 7753887
info@stiebel-eltron.ru
www.stiebel-eltron.ru

Slovakia

TATRAMAT - ohrievače vody s.r.o.
Hlavná 1 | 058 01 Poprad
Tel. 052 7127-125 | Fax 052 7127-148
info@stiebel-eltron.sk
www.stiebel-eltron.sk

Switzerland

STIEBEL ELTRON AG
Industrie West
Gass 8 | 5242 Lupfig
Tel. 056 4640-500 | Fax 056 4640-501
info@stiebel-eltron.ch
www.stiebel-eltron.ch

Thailand

STIEBEL ELTRON Asia Ltd.
469 Moo 2 Tambol Klong-Jik
Amphur Bangpa-In | 13160 Ayutthaya
Tel. 035 220088 | Fax 035 221188
info@stiebeleltronasia.com
www.stiebeleltronasia.com

United Kingdom and Ireland

STIEBEL ELTRON UK Ltd.
Unit 12 Stadium Court
Stadium Road | CH62 3RP Bromborough
Tel. 0151 346-2300 | Fax 0151 334-2913
info@stiebel-eltron.co.uk
www.stiebel-eltron.co.uk

United States of America

STIEBEL ELTRON, Inc.
17 West Street | 01088 West Hatfield MA
Tel. 0413 247-3380 | Fax 0413 247-3369
info@stiebel-eltron-usa.com
www.stiebel-eltron-usa.com

STIEBEL ELTRON



Irrtum und technische Änderungen vorbehalten! | Subject to errors and technical changes! | Sous réserve d'erreurs et de modifications techniques! | Onder voorbehoud van vergissingen en technische wijzigingen! | Salvo error o modificación técnica! | Exceto erro ou alteração técnica | Zastrzeżone zmiany techniczne i ewentualne błędy | Omyly a technické změny jsou vyhrazeny! | A muszaki változtatások és tévedések jogát fenntartjuk! | Отсутствие ошибок не гарантируется. Возможны технические изменения. | Шyбы а technické zmeny sú vyhradené! | Stand 9147